



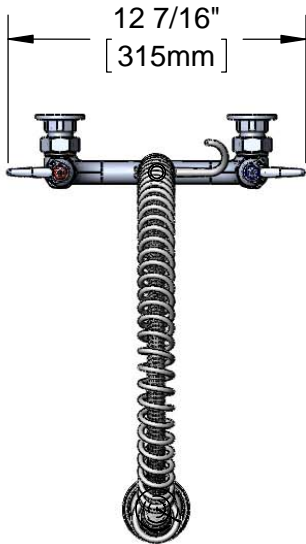
**T&S BRASS AND BRONZE WORKS, INC.**  
 2 Saddleback Cove / P.O. Box 1088  
 Travelers Rest, SC 29690

Model No.  
**B-0133**

Item No.

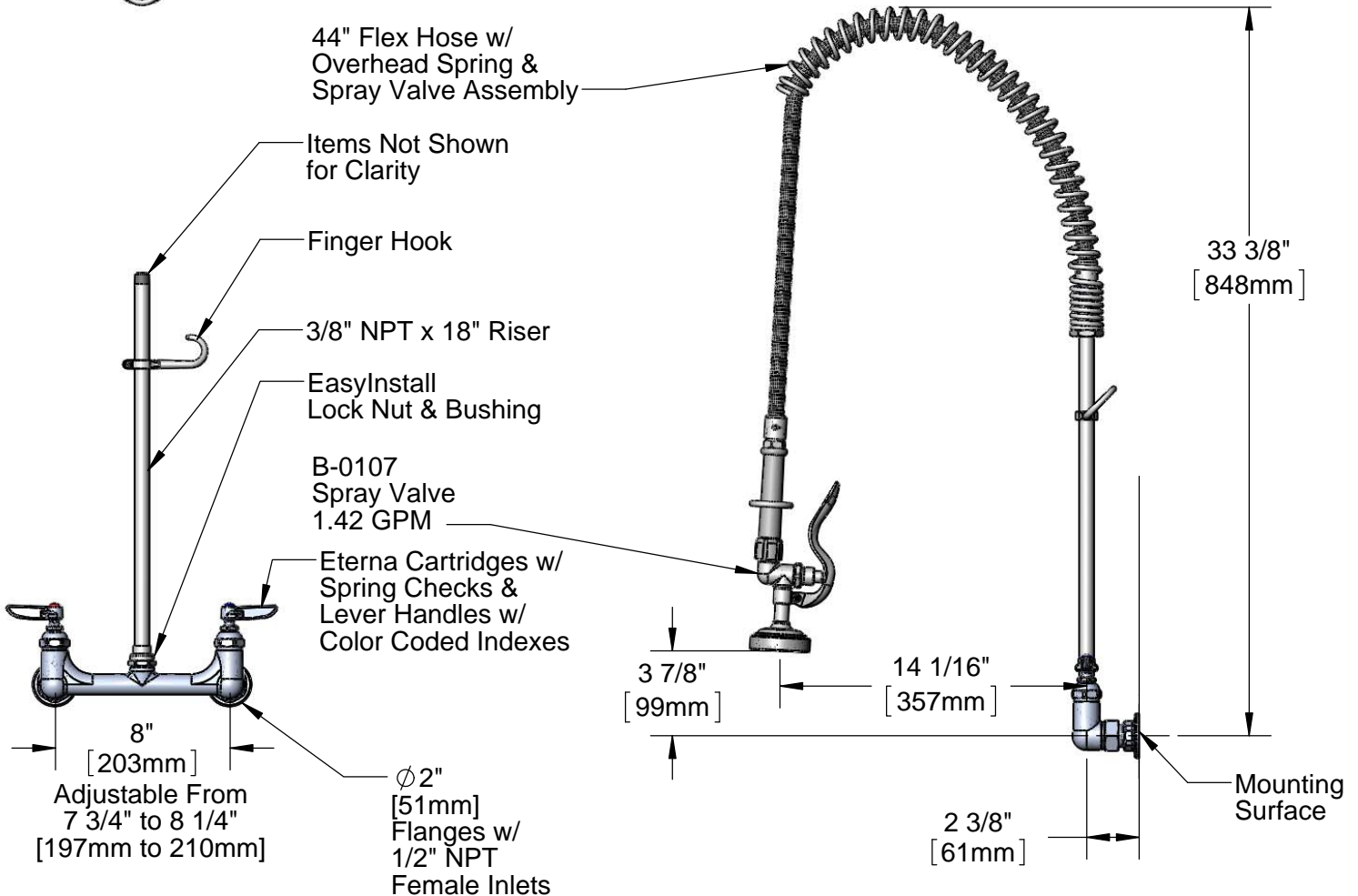
Travelers Rest, SC: 800-476-4103 • Simi Valley, CA: 800-423-0150 • Fax: 864-834-3518 • www.tsbrass.com

**EPAct 2005 Compliant**



This Space for Architect/Engineer Approval

Job Name \_\_\_\_\_ Date \_\_\_\_\_  
 Model Specified \_\_\_\_\_ Quantity \_\_\_\_\_  
 Customer/Wholesaler \_\_\_\_\_  
 Contractor \_\_\_\_\_  
 Architect/Engineer \_\_\_\_\_



Product Specifications:  
**EasyInstall Pre-Rinse Unit:**  
 8" c/c Wall Mount Mixing Faucet, 1/2" NPT Female Inlets,  
 18" Riser, Overhead Spring, 44" Flex Hose & B-0107 Spray Valve

Drawn <b>KJG</b>	Checked <b>JRM</b>	Approved <b>JHB</b>
Scale: <b>1:8</b>		Date: <b>05/30/12</b>



# T&S BRASS AND BRONZE WORKS, INC.

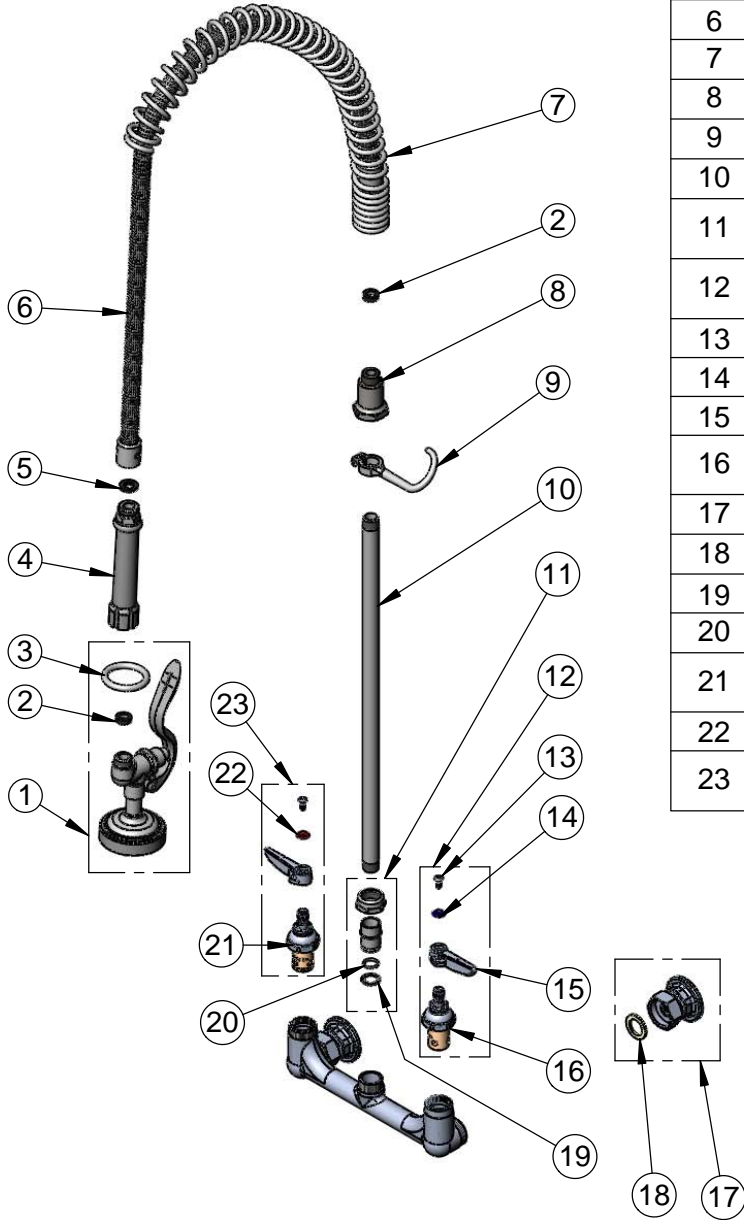
2 Saddleback Cove / P.O. Box 1088  
Travelers Rest, SC 29690

Model No.

**B-0133**

Item No.

Travelers Rest, SC: 800-476-4103 • Simi Valley, CA: 800-423-0150 • Fax: 864-834-3518 • www.tsbrass.com



ITEM NO.	SALES NO.	DESCRIPTION
1	B-0107	Spray Valve Assembly w/ Hold Down Ring & Washer
2	010476-45	#27 Washer
3	000907-45	Spray Valve Hold Down Ring
4	002987-40	Grip Handle Assembly
5	001014-45	Washer, B-0100 Hose Barrel
6	B-0044-H2A	44" SS Flex Hose Less Handle
7	000888-45	EasyInstall Overhead Spring
8	000821-40	Spring Body
9	004R	Finger Hook Assembly
10	000369-40	3/8" NPT x 18" Long Riser
11	EZ-K	EasyInstall Kit: Bushing, O-Ring, Lock Washer & Loctite 222
12	002711-40	Eterna Cartridge, LTC w/ Spring Check, Handle, Index & Screw
13	000922-45	Lever Handle Screw
14	001660-45	Blue Index-CW
15	001638-45	Lever Handle
16	012442-40	Eterna Cartridge, LTC w/ Spring Check
17	00AA	Flange Assembly
18	001019-45	Coupling Nut Washer
19	014200-45	Star Washer, Anti-Rotation
20	001065-45	O-Ring
21	012443-40	Eterna Cartridge, RTC w/ Spring Check
22	001661-45	Red Index-HW
23	002712-40	Eterna Cartridge, RTC w/ Spring Check, Handle, Index & Screw

**Product Specifications:**

EasyInstall Pre-Rinse Unit:  
8" c/c Wall Mount Mixing Faucet, 1/2" NPT Female Inlets,  
18" Riser, Overhead Spring, 44" Flex Hose & B-0107 Spray Valve

Drawn

**KJG**

Checked

**JRM**

Approved

**JHB**

Scale:

**NTS**

Date:

**05/30/12**