



T&S BRASS AND BRONZE WORKS, INC.

2 Saddleback Cove / P.O. Box 1088
Travelers Rest, SC 29690

Model No.

B-0155

Item No.

Travelers Rest, SC: 800-476-4103 • Simi Valley, CA: 800-423-0150 • Fax: 864-834-3518 • www.tsbrass.com



ADA Compliant

This Space for Architect/Engineer Approval

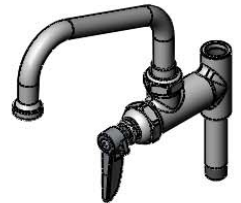
Job Name _____ Date _____

Model Specified _____ Quantity _____

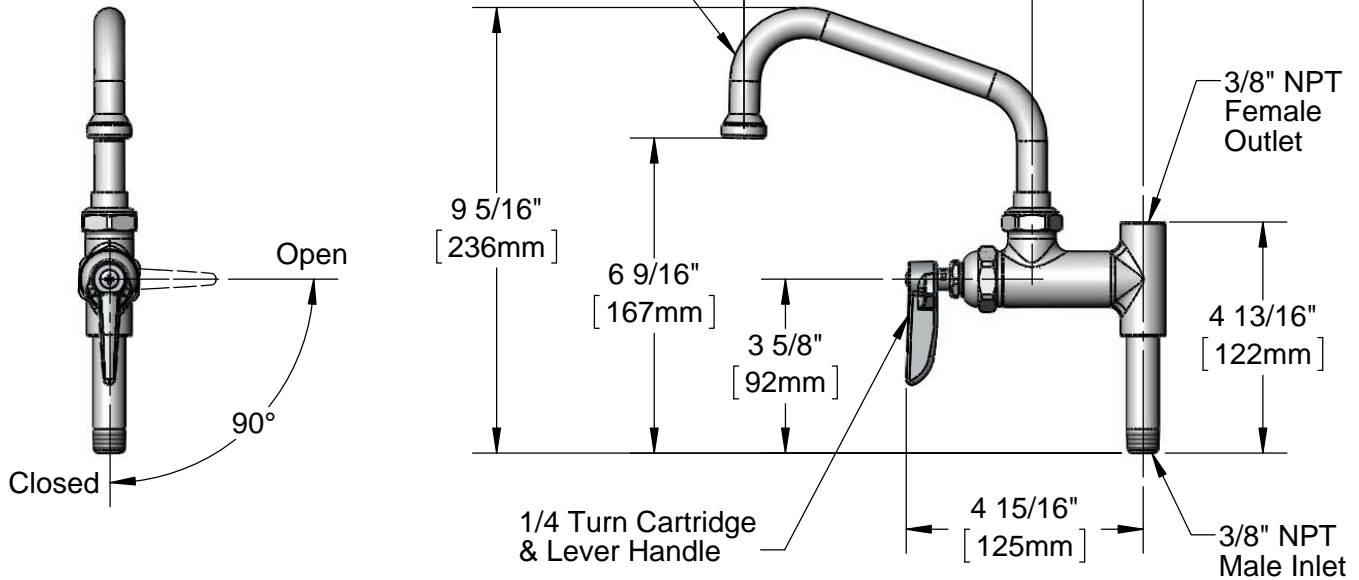
Customer/Wholesaler _____

Contractor _____

Architect/Engineer _____



059X
6" Swing Nozzle w/
Stream Regulator Outlet



1. The Add-On Faucet is an Addition to Pre-Rinse Units and is Installed in Outlets of Base Mixing Faucets of Units Before Fitting Riser Pipes
2. Lever Handle Controls Water On-Off Thru Nozzle Only. Pressure is Always "On" in the Riser Pipe (Controlled by Base Mixing Faucet)

Product Specifications:
Add-On Faucet w/ 1/4 Turn Cartridge & 6" Swing Nozzle w/
Stream Regulator Outlet

Drawn

DMH

Checked

KJG

Approved

JHB

Scale:

1:4

Date:

08/29/12



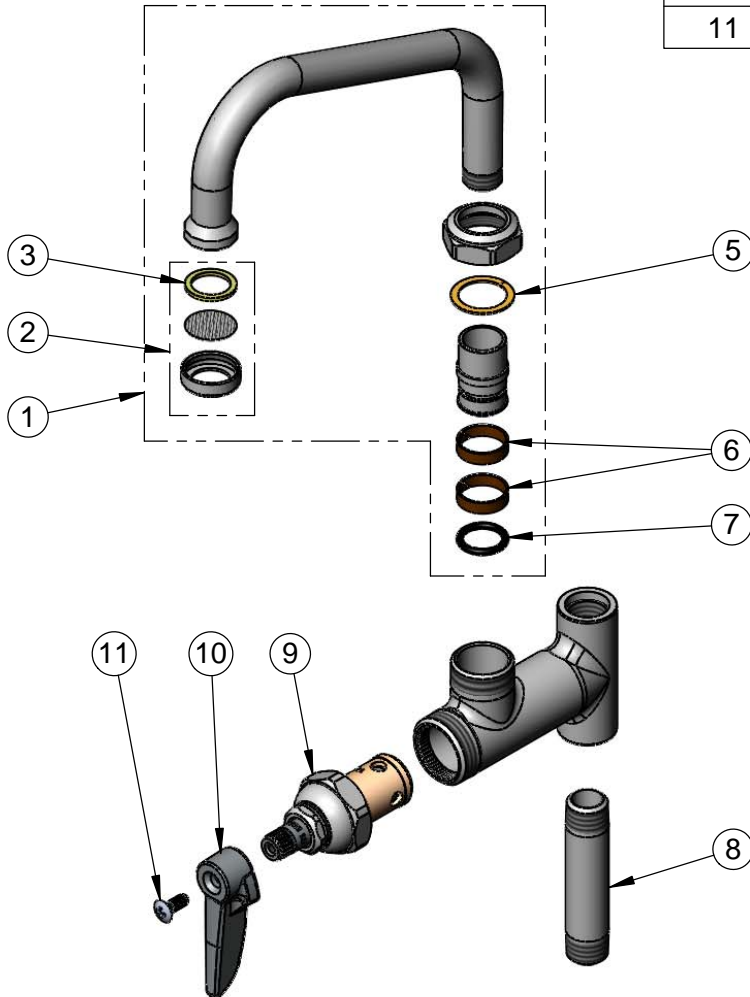
T&S BRASS AND BRONZE WORKS, INC.
 2 Saddleback Cove / P.O. Box 1088
 Travelers Rest, SC 29690

Model No.
B-0155

Item No.

Travelers Rest, SC: 800-476-4103 • Simi Valley, CA: 800-423-0150 • Fax: 864-834-3518 • www.tsbrass.com

ITEM NO.	SALES NO.	DESCRIPTION
1	059X	6" Swivel Nozzle w/ B-PT Stream Regulator Outlet
2	B-PT	Stream Regulator Outlet
3	001048-45	Nozzle Tip Washer
5	009538-45	Swivel Washer
6	011429-45	Swivel Sleeves (2)
7	001074-45	O-Ring
8	000358-40	Nipple, 3/8" NPT x 3"
9	007947-40	1/4 Turn Eterna Cartridge, RTC
10	001638-45	Lever Handle
11	000922-45	Lever Handle Screw



Product Specifications:
 Add-On Faucet w/ 1/4 Turn Cartridge & 6" Swing Nozzle w/
 Stream Regulator Outlet

Drawn DMH	Checked KJG	Approved JHB
Scale: NTS		Date: 08/29/12