



T&S BRASS AND BRONZE WORKS, INC.

2 Saddleback Cove / P.O. Box 1088
Travelers Rest, SC 29690



REG. #A2601
ISO #9001

Model No.

B-0221

Item No.

Travelers Rest, SC: 800-476-4103 • Simi Valley, CA: 800-423-0150 • Fax: 864-834-3518 • www.tsbrass.com

This Space for Architect/Engineer Approval

Job Name _____ Date _____

Model Specified _____ Quantity _____

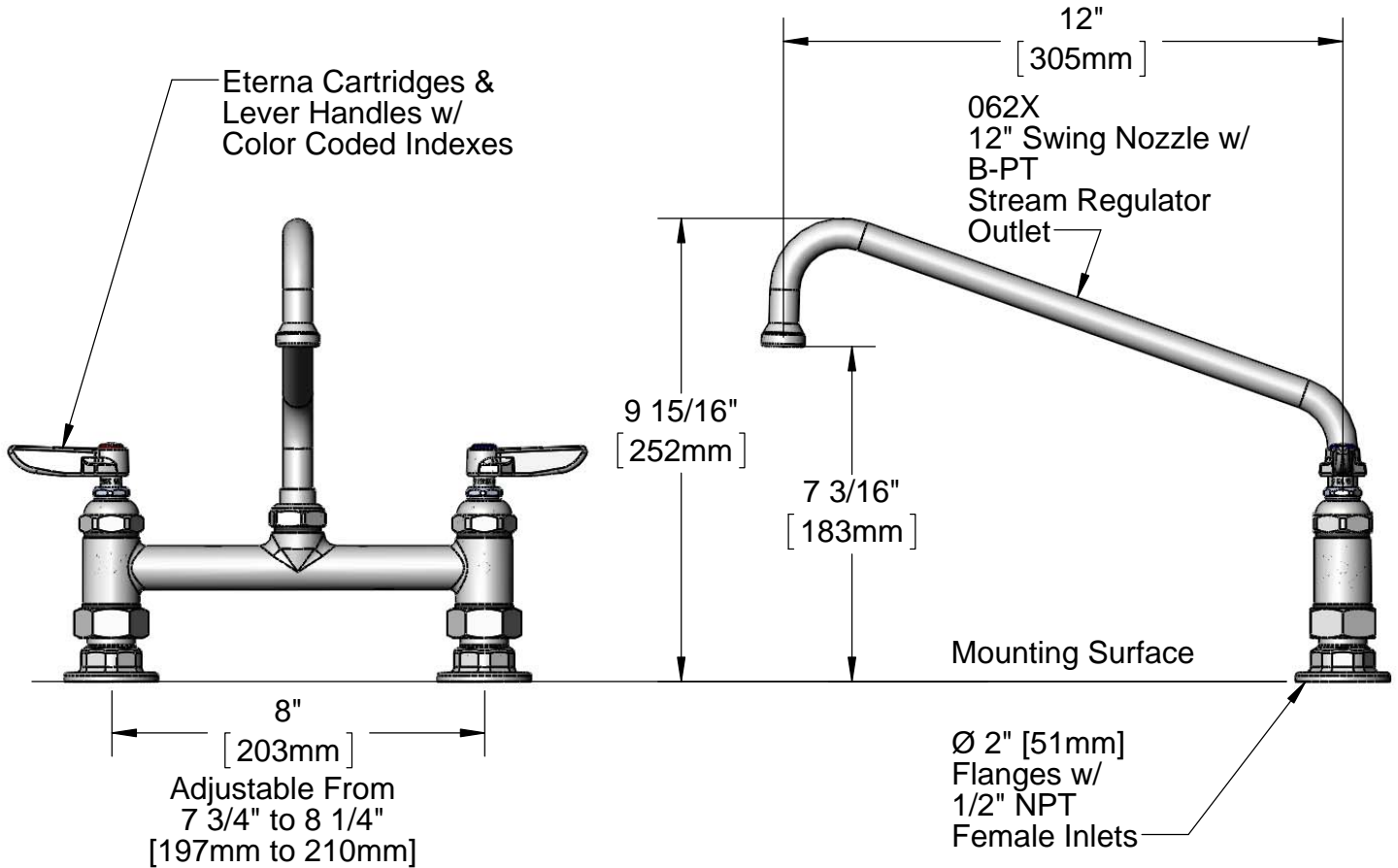
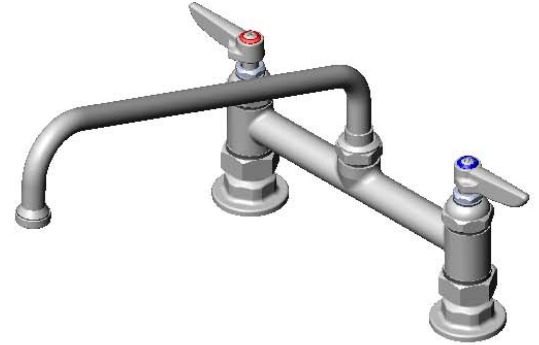
Customer/Wholesaler _____

Contractor _____

Architect/Engineer _____



ADA Compliant



Note: Rough-In Requirement
(2) Ø 1" [25mm] Mounting Holes

Product Specifications:
Double Pantry Faucet w/ Eterna Cartridges, 12" Swing Nozzle w/ B-PT Stream Regulator Outlet, Lever Handles & 1/2" NPT Female Inlets

Drawn

DHL

Checked

KJG

Approved

JHB

Scale:

1:4

Date:

06/17/11



T&S BRASS AND BRONZE WORKS, INC.

2 Saddleback Cove / P.O. Box 1088
Travelers Rest, SC 29690



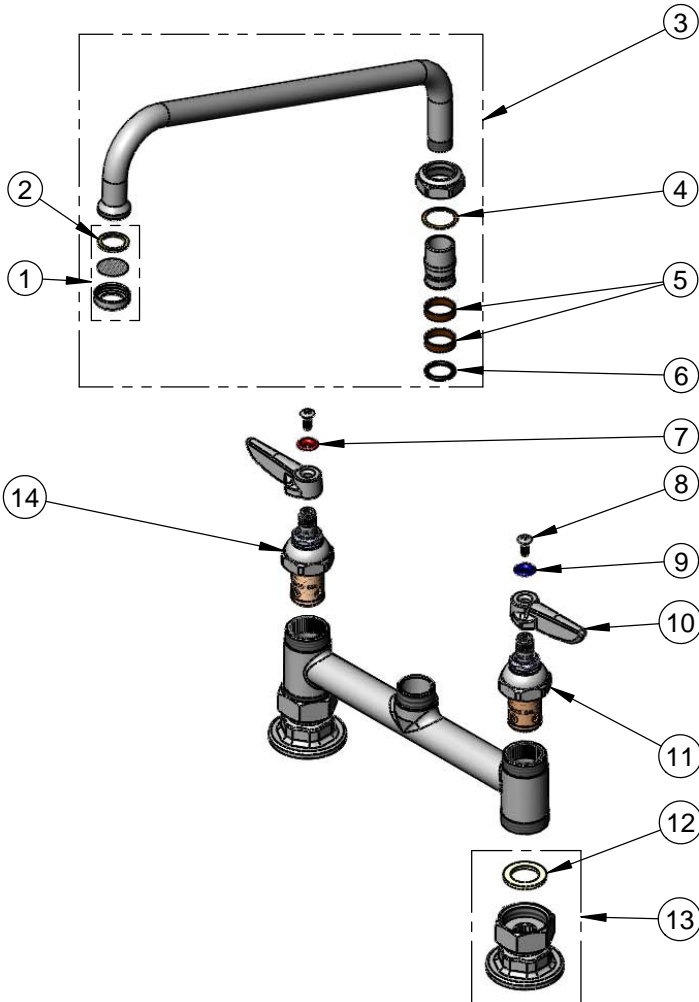
REG. #A2601
ISO #9001

Model No.
B-0221

Item No.

Travelers Rest, SC: 800-476-4103 Simi Valley, CA: 800-423-0150 Fax: 864-834-3518 www.tsbrass.com

| ITEM NO. | SALES NO. | DESCRIPTION |
|----------|-----------|--|
| 1 | B-PT | Stream Regulator |
| 2 | 001048-45 | Nozzle Tip Washer |
| 3 | 062X | 12" Swing Nozzle Assembly w/ B-PT Stream Regulator |
| 4 | 009538-45 | Swivel Washer |
| 5 | 011429-45 | Swivel Sleeves (2) |
| 6 | 001074-45 | O-Ring |
| 7 | 001661-45 | Red Index-HW |
| 8 | 000922-45 | Lever Handle Screw |
| 9 | 001660-45 | Blue Index-CW |
| 10 | 001638-45 | Lever Handle |
| 11 | 005959-40 | Eterna Cartridge - LTC |
| 12 | 001019-45 | Coupling Nut Washer |
| 13 | 00AA | Flange Assembly |
| 14 | 005960-40 | Eterna Cartridge - RTC |



Product Specifications:

Double Pantry Faucet w/ Eterna Cartridges, 12" Swing Nozzle w/ B-PT Stream Regulator Outlet, Lever Handles & 1/2" NPT Female Inlets

| | | |
|----------------------|-----------------------|--------------------------|
| Drawn DHL | Checked KJG | Approved JHB |
| Scale: NTS | | Date: 06/17/11 |