



# T&S BRASS AND BRONZE WORKS, INC.

2 Saddleback Cove / P.O. Box 1088  
Travelers Rest, SC 29690

Model No.

**B-0222**

Item No.

Travelers Rest, SC: 800-476-4103 • Simi Valley, CA: 800-423-0150 • Fax: 864-834-3518 • www.tsbrass.com

This Space for Architect/Engineer Approval

Job Name \_\_\_\_\_ Date \_\_\_\_\_

Model Specified \_\_\_\_\_ Quantity \_\_\_\_\_

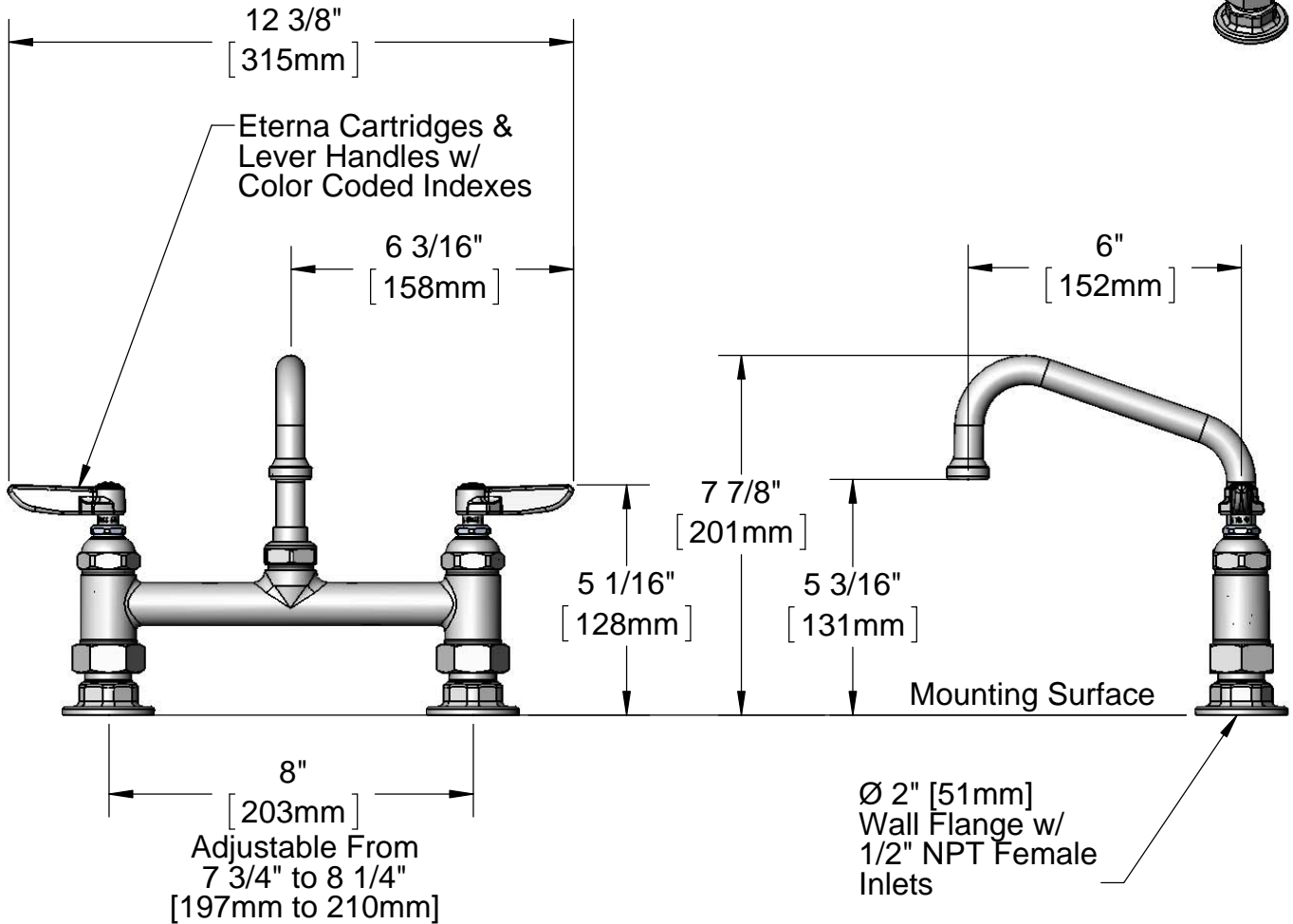
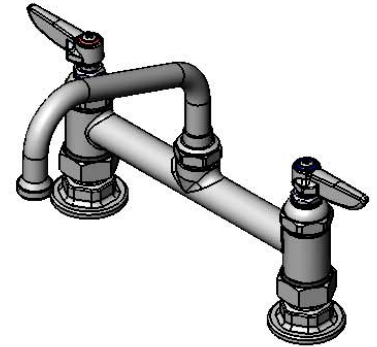
Customer/Wholesaler \_\_\_\_\_

Contractor \_\_\_\_\_

Architect/Engineer \_\_\_\_\_



**ADA Compliant**



**Product Specifications:**

8" c/c Deck Mount Mixing Faucet, Eterna Cartridges, Lever Handles, 6" Swing Nozzle w/ B-PT Stream Regulator & 1/2" NPT Inlet Flanges

Drawn

**DHL**

Checked

**KJG**

Approved

**JHB**

Scale:

**1:8**

Date:

**11/10/11**



# T&S BRASS AND BRONZE WORKS, INC.

2 Saddleback Cove / P.O. Box 1088  
Travelers Rest, SC 29690

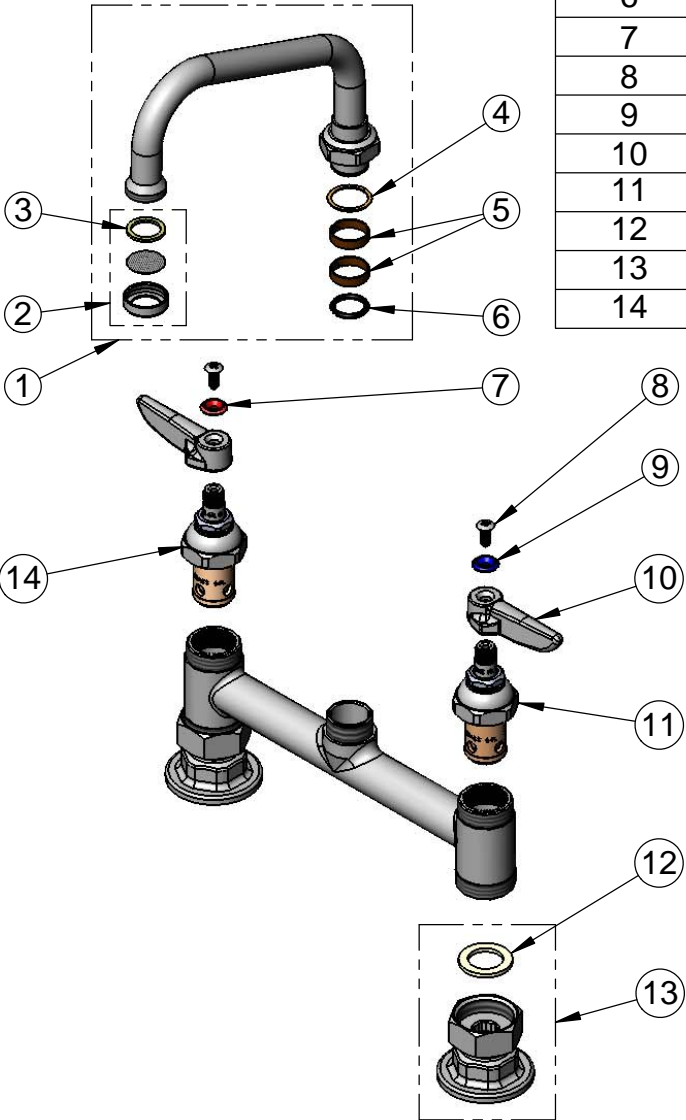
Model No.

**B-0222**

Item No.

Travelers Rest, SC: 800-476-4103 • Simi Valley, CA: 800-423-0150 • Fax: 864-834-3518 • www.tsbrass.com

ITEM NO.	SALES NO.	DESCRIPTION
1	059X	6" Swing Nozzle
2	B-PT	Stream Regulator
3	001048-45	Nozzle Tip Washer
4	009538-45	Swivel Washer
5	011429-45	Swivel Sleeves (2)
6	001074-45	O-Ring
7	001661-45	Red Index-HW
8	000922-45	Lever Handle Screw
9	001660-45	Blue Index-CW
10	001638-45	Lever Handle
11	005959-40	Eterna Cartridge, LTC
12	001019-45	Coupling Nut Washer
13	00AA	Flange Assembly
14	005960-40	Eterna Cartridge, RTC



**Product Specifications:**

8" c/c Deck Mount Mixing Faucet, Eterna Cartridges, Lever Handles, 6" Swing Nozzle w/ B-PT Stream Regulator & 1/2" NPT Inlet Flanges

Drawn

**DHL**

Checked

**KJG**

Approved

**JHB**

Scale:

**NTS**

Date:

**11/10/11**