



T&S BRASS AND BRONZE WORKS, INC.

2 Saddleback Cove / P.O. Box 1088
Travelers Rest, SC 29690

Model No.

B-0227

Item No.

Travelers Rest, SC: 800-476-4103 • Simi Valley, CA: 800-423-0150 • Fax: 864-834-3518 • www.tsbrass.com

This Space for Architect/Engineer Approval

Job Name _____ Date _____

Model Specified _____ Quantity _____

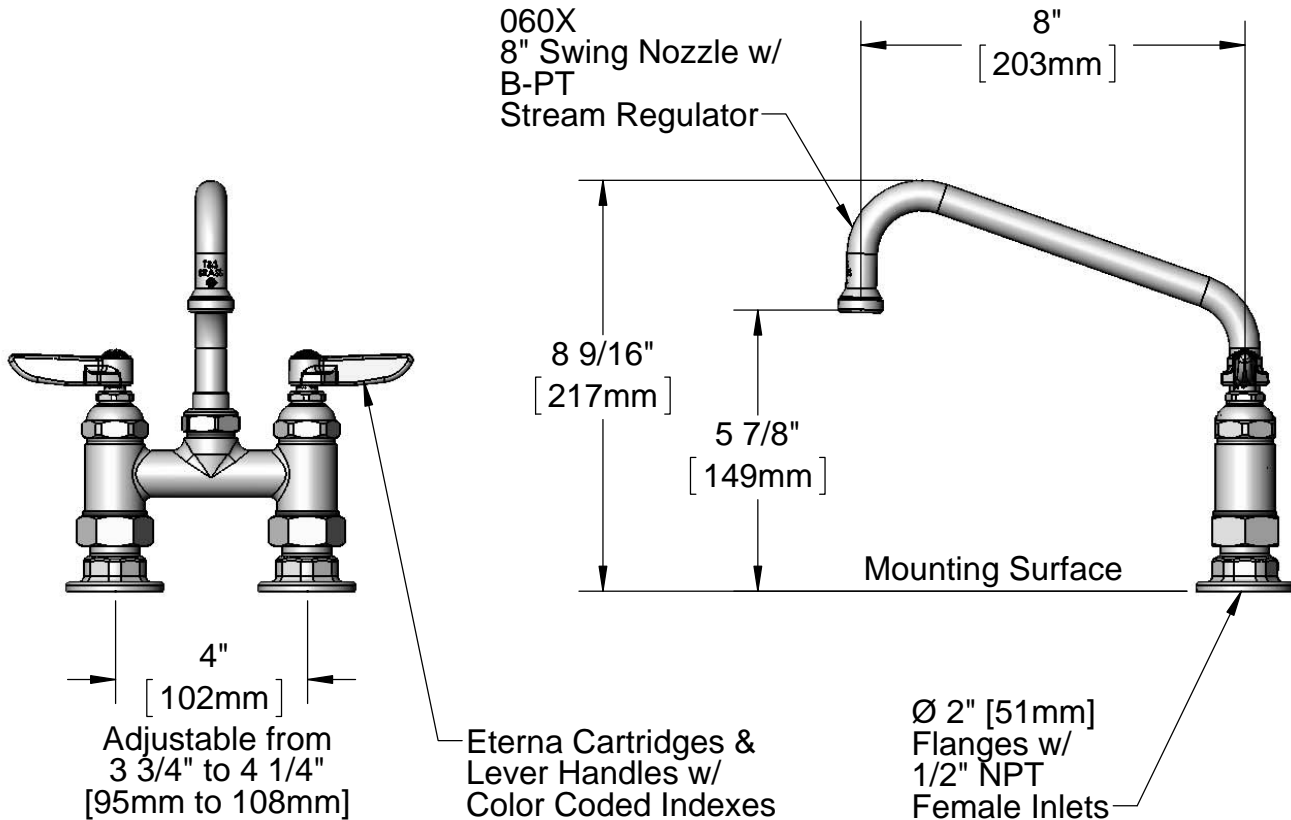
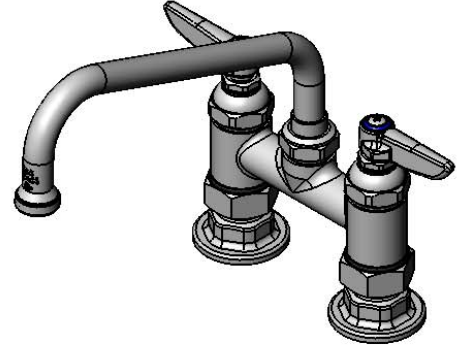
Customer/Wholesaler _____

Contractor _____

Architect/Engineer _____



ADA Compliant



Product Specifications:

4" c/c Deck Mount Mixing Faucet w/ Eterna Cartridges,
8" Swing Nozzle, Lever Handles & 1/2" NPT Female Inlets

Drawn

DHL

Checked

GEF

Approved

JHB

Scale:

1:8

Date:

02/03/12



T&S BRASS AND BRONZE WORKS, INC.

2 Saddleback Cove / P.O. Box 1088
Travelers Rest, SC 29690

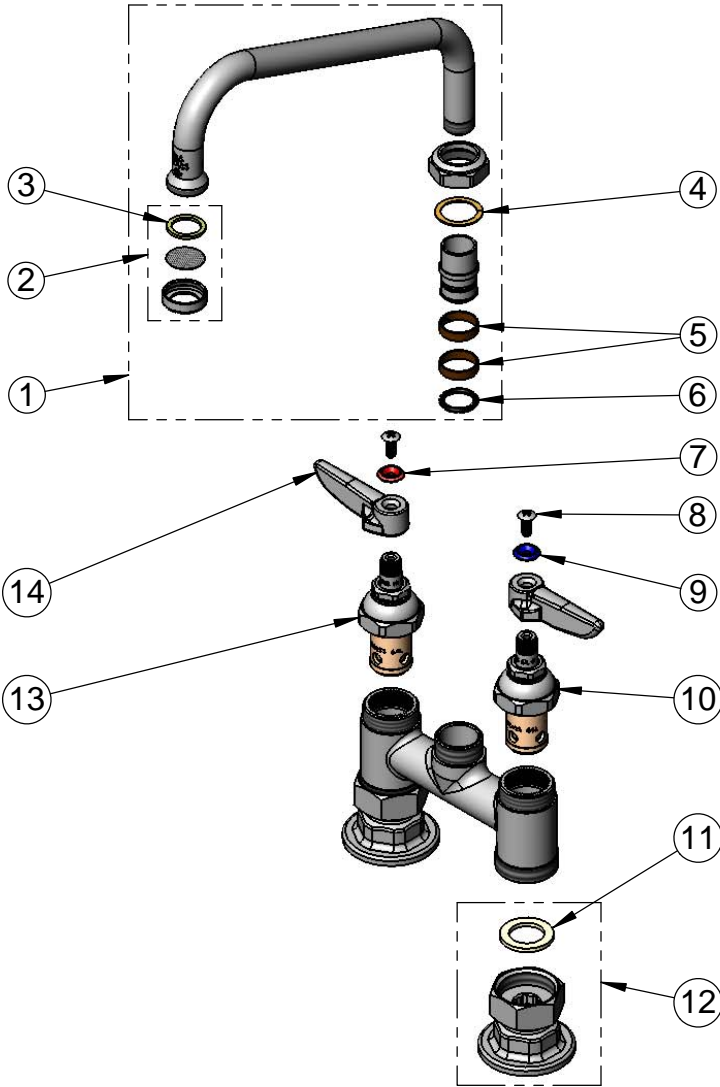
Model No.

B-0227

Item No.

Travelers Rest, SC: 800-476-4103 • Simi Valley, CA: 800-423-0150 • Fax: 864-834-3518 • www.tsbrass.com

ITEM NO.	SALES NO.	DESCRIPTION
1	060X	8" Swing Nozzle
2	B-PT	Stream Regulator
3	001048-45	Nozzle Tip Washer
4	009538-45	Swivel Washer
5	011429-45	Swivel Sleeves (2)
6	001074-45	O-Ring
7	001661-45	Red Index-HW
8	000922-45	Lever Handle Screw
9	001660-45	Blue Index-CW
10	005959-40	Eterna Cartridge (LTC)
11	001019-45	Coupling Nut Washer
12	00AA	Flange Assembly
13	005960-40	Eterna Cartridge (RTC)
14	001638-45	Lever Handle



Product Specifications:
4" c/c Deck Mount Mixing Faucet w/ Eterna Cartridges,
8" Swing Nozzle, Lever Handles & 1/2" NPT Female Inlets

Drawn DHL	Checked GEF	Approved JHB
Scale: NTS		Date: 02/03/12