



T&S BRASS AND BRONZE WORKS, INC.
 2 Saddleback Cove / P.O. Box 1088
 Travelers Rest, SC 29690

Model No.
B-0230-K

Item No.

Travelers Rest, SC: 800-476-4103 • Simi Valley, CA: 800-423-0150 • Fax: 864-834-3518 • www.tsbrass.com

This Space for Architect/Engineer Approval

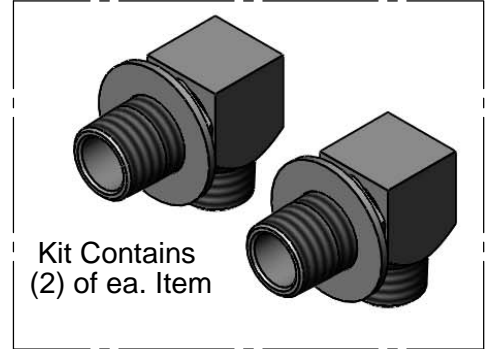
Job Name _____ Date _____

Model Specified _____ Quantity _____

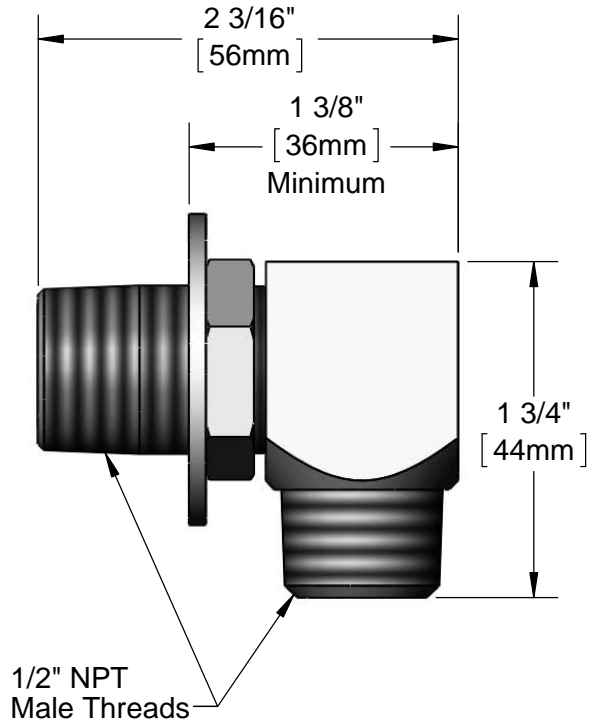
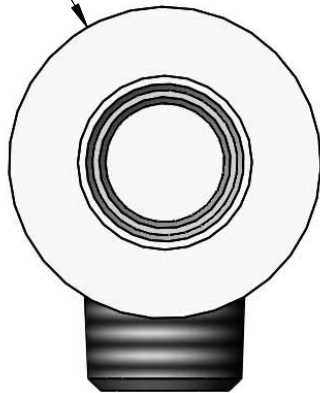
Customer/Wholesaler _____

Contractor _____

Architect/Engineer _____



$\phi 1 \frac{5}{8}$ "
[41mm]



Product Specifications:
 1/2" NPT Male Elbow Kit w/ Lock Nut & Washer

Drawn

DHL

Checked

DMH

Approved

JHB

Scale:

1:1

Date:

11/15/12



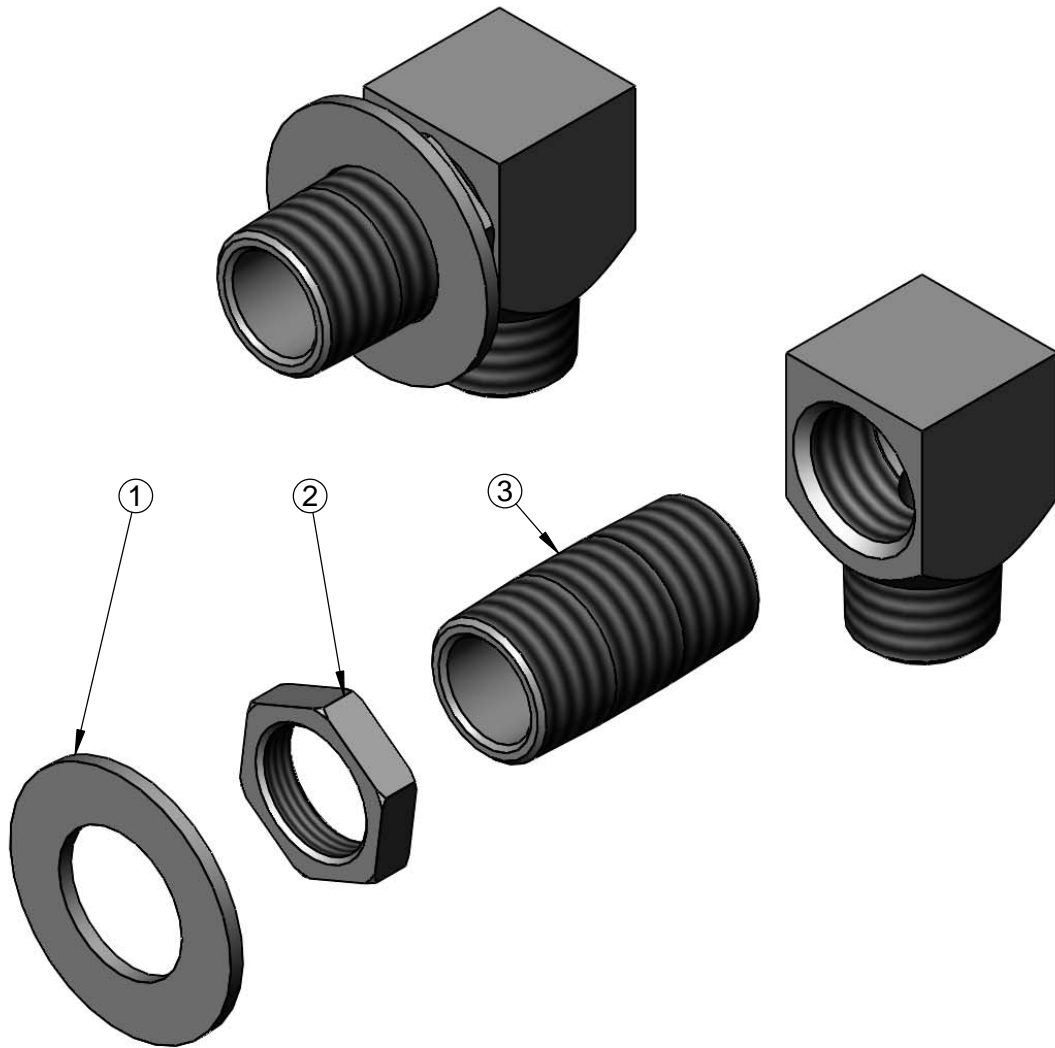
T&S BRASS AND BRONZE WORKS, INC.
 2 Saddleback Cove / P.O. Box 1088
 Travelers Rest, SC 29690

Model No.
B-0230-K

Item No.

Travelers Rest, SC: 800-476-4103 • Simi Valley, CA: 800-423-0150 • Fax: 864-834-3518 • www.tsbrass.com

ITEM NO.	SALES NO.	DESCRIPTION
1	000999-45	Brass Lock Washer
2	002954-45	Shank Lock Nut
3	013357-20	1/2" NPT x 1-5/8" Lg. Close Nipple



Product Specifications:
 1/2" NPT Male Elbow Kit w/ Lock Nut & Washer

Drawn DHL	Checked DMH	Approved JHB
Scale: NTS		Date: 11/15/12