



# T&S BRASS AND BRONZE WORKS, INC.

2 Saddleback Cove / P.O. Box 1088  
Travelers Rest, SC 29690



REG. #A2601  
ISO #9001

Model No.

**B-0232**

Item No.

Travelers Rest, SC: 800-476-4103 • Simi Valley, CA: 800-423-0150 • Fax: 864-834-3518 • www.tsbrass.com

This Space for Architect/Engineer Approval

Job Name \_\_\_\_\_ Date \_\_\_\_\_

Model Specified \_\_\_\_\_ Quantity \_\_\_\_\_

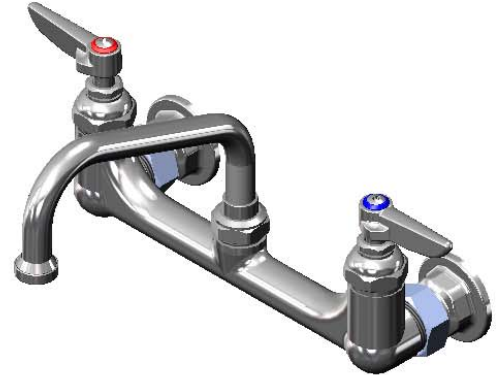
Customer/Wholesaler \_\_\_\_\_

Contractor \_\_\_\_\_

Architect/Engineer \_\_\_\_\_

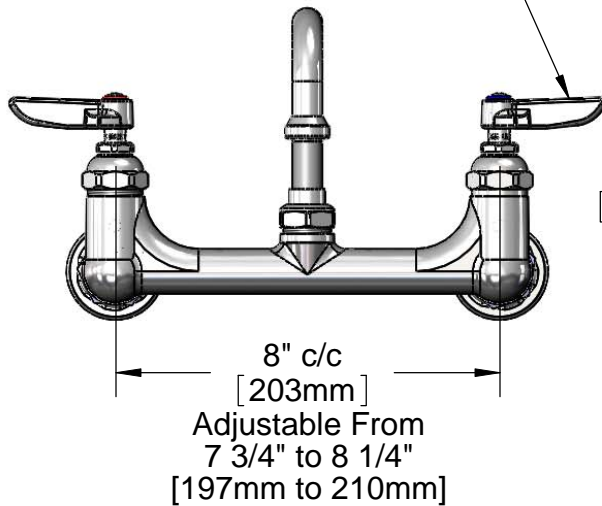


**ADA Compliant**

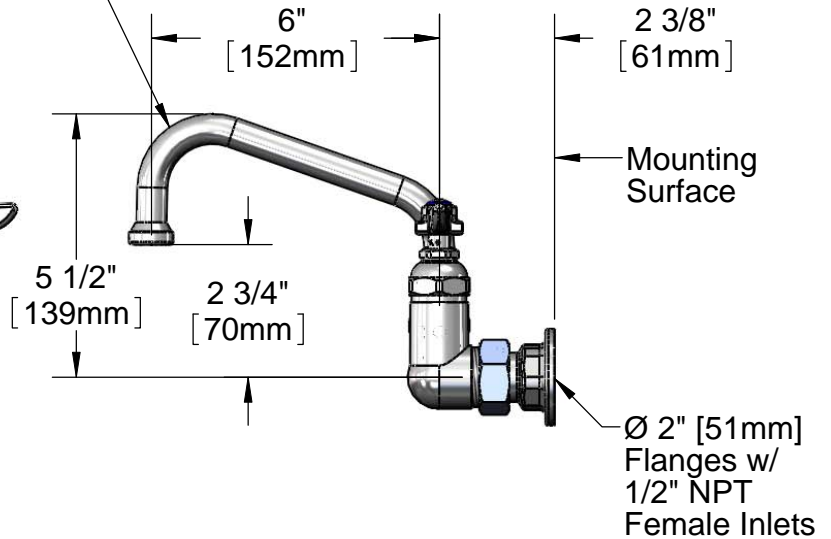


059X  
6" Swing Nozzle w/  
B-PT  
Stream Regulator Outlet

Eterna Cartridges &  
Lever Handles w/  
Color Coded Indexes



8" c/c  
[203mm]  
Adjustable From  
7 3/4" to 8 1/4"  
[197mm to 210mm]



5 1/2"  
[139mm]

2 3/4"  
[70mm]

6"  
[152mm]

2 3/8"  
[61mm]

Mounting  
Surface

Ø 2" [51mm]  
Flanges w/  
1/2" NPT  
Female Inlets

Note: Rough-In Requirement  
(2) Ø 1" [25mm] Mounting Holes

Product Specifications:  
Sink Mixing Faucet w/ Eterna Cartridges, 6" Swing Nozzle  
w/ B-PT Stream Regulator Outlet, Lever Handles & 1/2"  
Female Inlets

Drawn

**DHL**

Checked

**KJG**

Approved

**JHB**

Scale:

**1:4**

Date:

**04/11/11**



**T&S BRASS AND BRONZE WORKS, INC.**

2 Saddleback Cove / P.O. Box 1088  
Travelers Rest, SC 29690



REG. #A2601  
ISO #9001

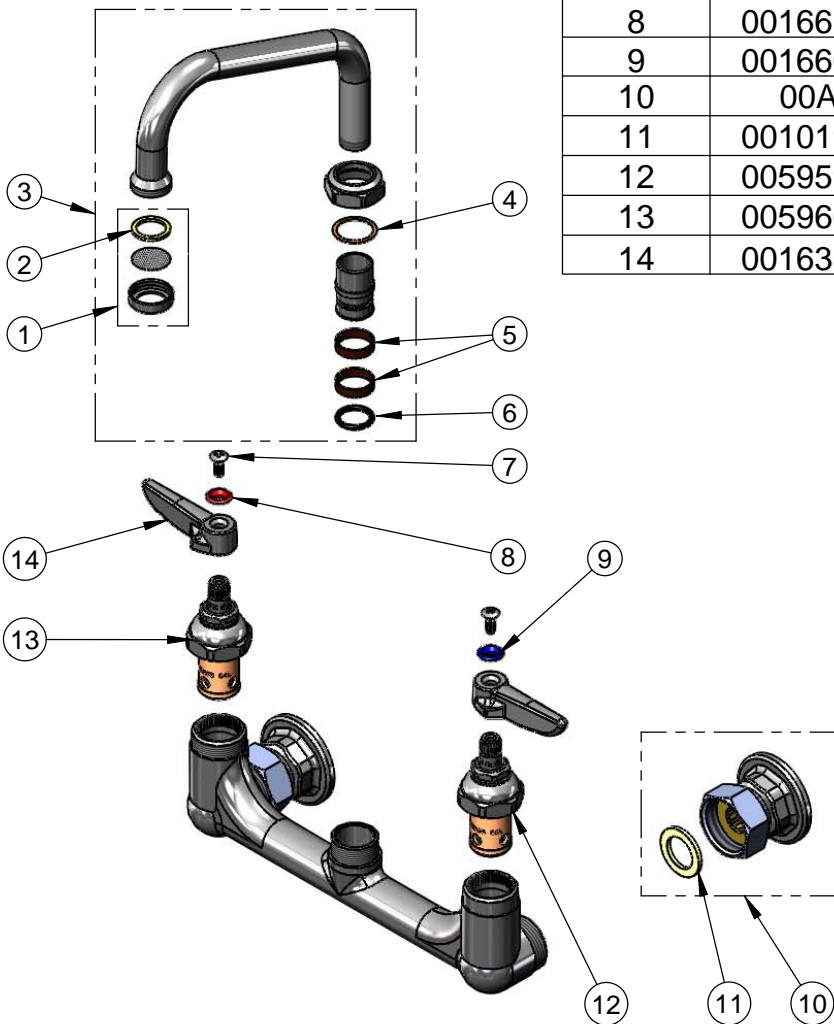
Model No.

**B-0232**

Item No.

Travelers Rest, SC: 800-476-4103 Simi Valley, CA: 800-423-0150 Fax: 864-834-3518 www.tsbrass.com

ITEM NO.	SALES NO.	DESCRIPTION
1	B-PT	Stream Regulator
2	001048-45	Nozzle Tip Washer
3	059X	6" Swivel Nozzle Assembly
4	009538-45	Swivel Washer
5	011429-45	Swivel Sleeves (2)
6	001074-45	O-Ring
7	000922-45	Lever Handle Screw
8	001661-45	Red Index-HW
9	001660-45	Blue Index-CW
10	00AA	1/2" NPT Female Inlet Assembly
11	001019-45	Coupling Nut Washer
12	005959-40	Eterna Cartridge - LTC
13	005960-40	Eterna Cartridge - RTC
14	001638-45	Lever Handle



Product Specifications:

Sink Mixing Faucet w/ Eterna Cartridges, 6" Swing Nozzle w/ B-PT Stream Regulator Outlet, Lever Handles & 1/2" Female Inlets

Drawn <b>DHL</b>	Checked <b>KJG</b>	Approved <b>JHB</b>
Scale: <b>NTS</b>		Date: <b>04/11/11</b>