



T&S BRASS AND BRONZE WORKS, INC.

2 Saddleback Cove / P.O. Box 1088
Travelers Rest, SC 29690



REG. #A2601
ISO #9001

Model No.

B-0237

Item No.

Travelers Rest, SC: 800-476-4103 Simi Valley, CA: 800-423-0150 Fax: 864-834-3518 www.tsbrass.com

This Space for Architect/Engineer Approval

Job Name _____ Date _____

Model Specified _____ Quantity _____

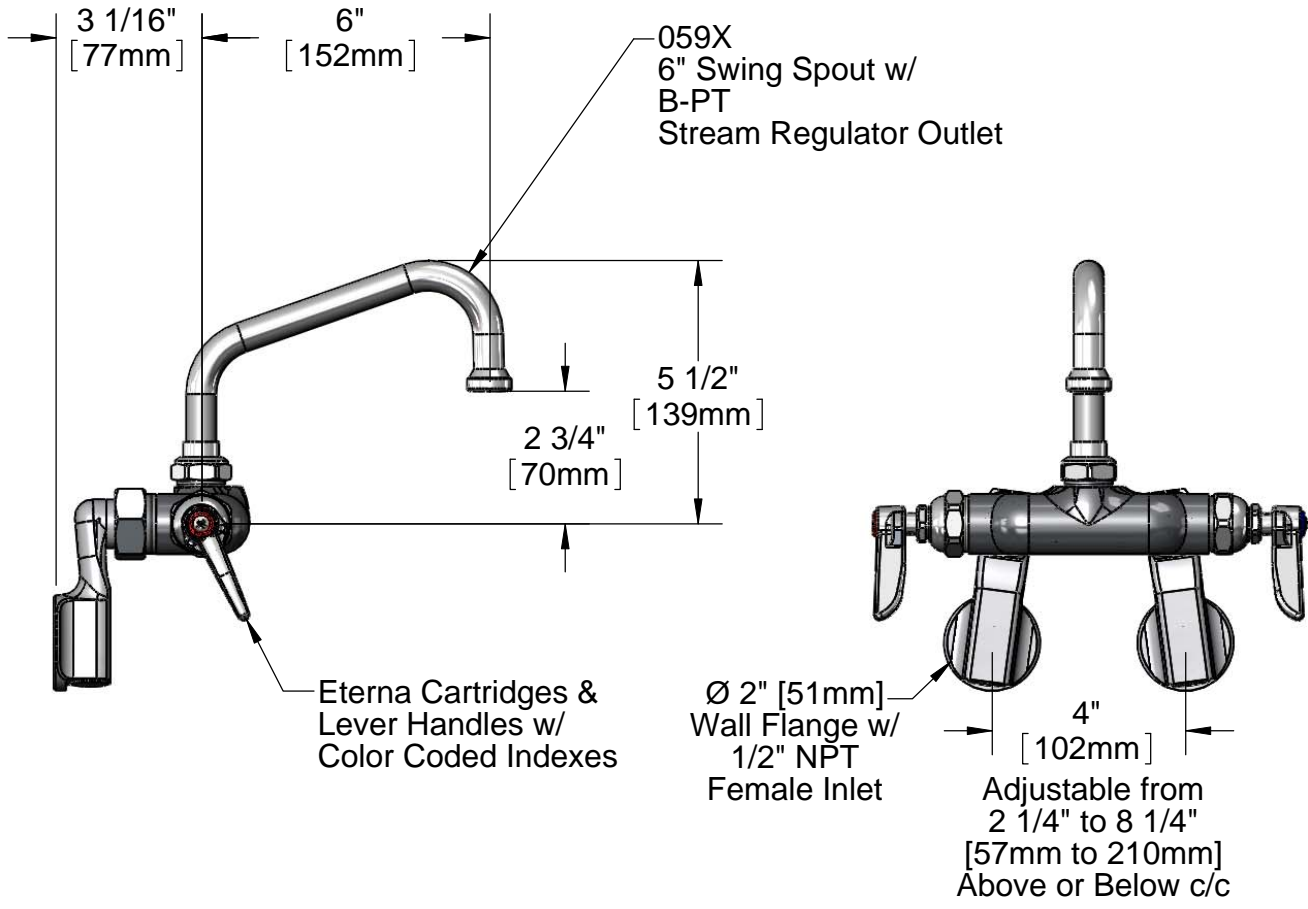
Customer/Wholesaler _____

Contractor _____

Architect/Engineer _____



ADA Compliant



Note: Rough-In Requirement
(2) Ø 1" [25mm] Mounting Holes

Product Specifications:

Combination Sink Faucet, Eterna Cartridges, 6" Swing Nozzle
w/ B-PT Stream Regulator Outlet, Lever Handles & Adjustable Inlets

Drawn DHL	Checked JRM	Approved JHB
Scale: 1:4		Date: 02/17/11



T&S BRASS AND BRONZE WORKS, INC.

2 Saddleback Cove / P.O. Box 1088
Travelers Rest, SC 29690



REG. #A2601
ISO #9001

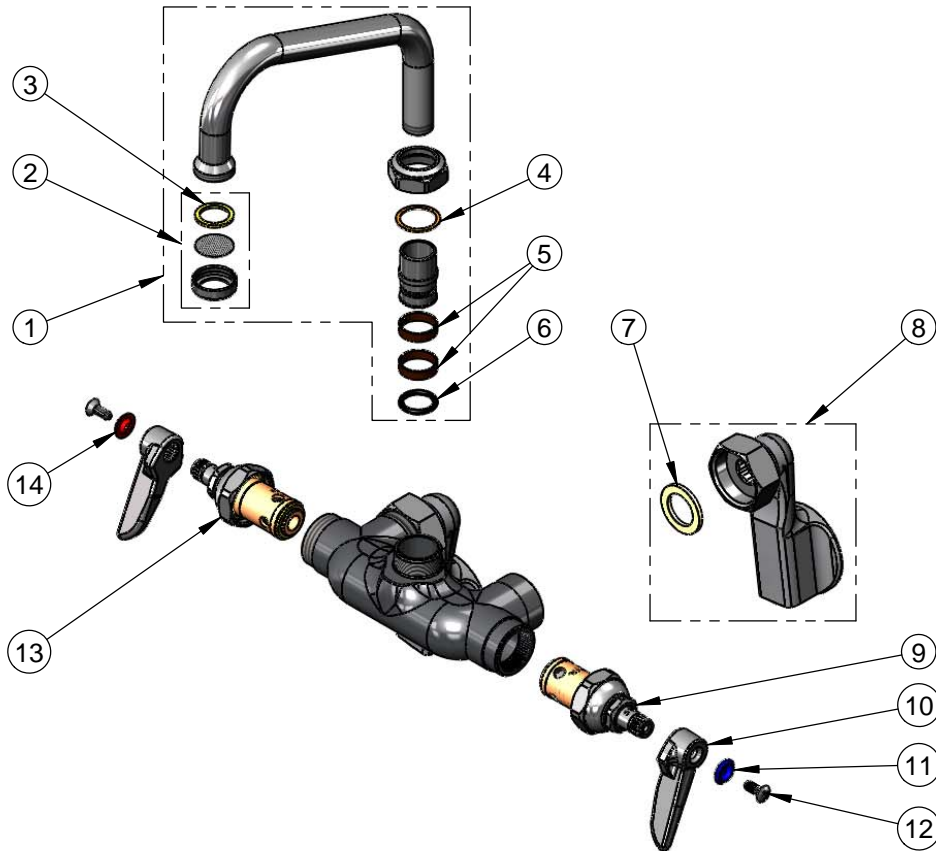
Model No.

B-0237

Item No.

Travelers Rest, SC: 800-476-4103 Simi Valley, CA: 800-423-0150 Fax: 864-834-3518 www.tsbrass.com

ITEM NO.	SALES NO.	DESCRIPTION
1	059X	6" Swivel Nozzle Assembly
2	B-PT	Stream Regulator
3	001048-45	Nozzle Tip Washer
4	009538-45	Swivel Washer
5	011429-45	Swivel Sleeves (2)
6	001074-45	O-Ring
7	001019-45	Coupling Nut Washer
8	00GG	1/2" NPT Female Adjustable Inlet Assembly
9	005959-40	Spindle Asm. Eterna "Cold"
10	001638-45	Lever Handle
11	001660-45	Blue Index-CW
12	000922-45	Lever Handle Screw
13	005960-40	Spindle Asm, Eterna "Hot"
14	001661-45	Red Index-HW



Product Specifications:

Combination Sink Faucet, Eterna Cartridges, 6" Swing Nozzle
w/ B-PT Stream Regulator Outlet, Lever Handles & Adjustable Inlets

Drawn DHL	Checked JRM	Approved JHB
Scale: NTS		Date: 02/17/11