



# T&S BRASS AND BRONZE WORKS, INC.

2 Saddleback Cove / P.O. Box 1088  
Travelers Rest, SC 29690

Model No.

**B-0265**

Item No.

Travelers Rest, SC: 800-476-4103 • Simi Valley, CA: 800-423-0150 • Fax: 864-834-3518 • www.tsbrass.com

This Space for Architect/Engineer Approval

Job Name \_\_\_\_\_ Date \_\_\_\_\_

Model Specified \_\_\_\_\_ Quantity \_\_\_\_\_

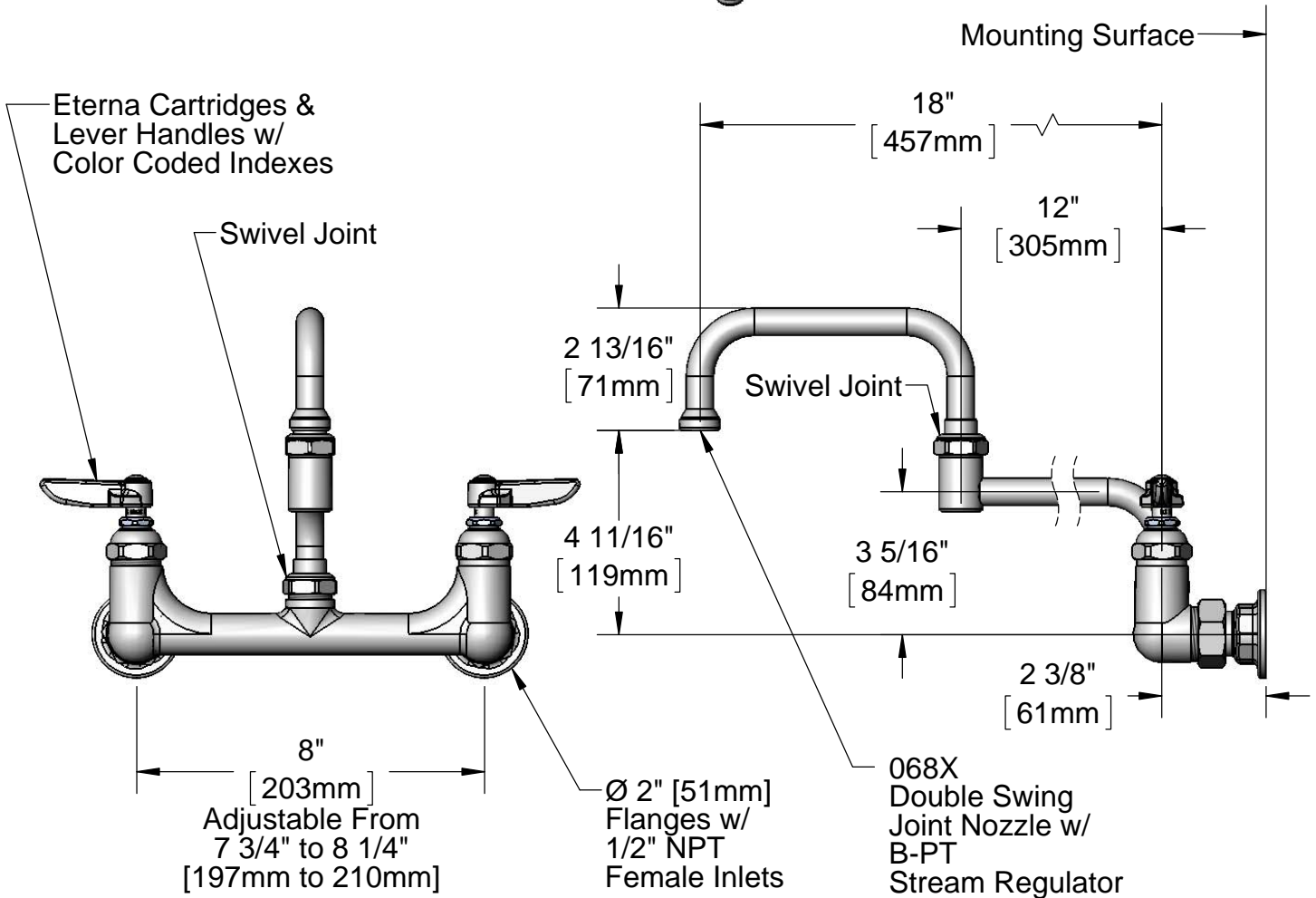
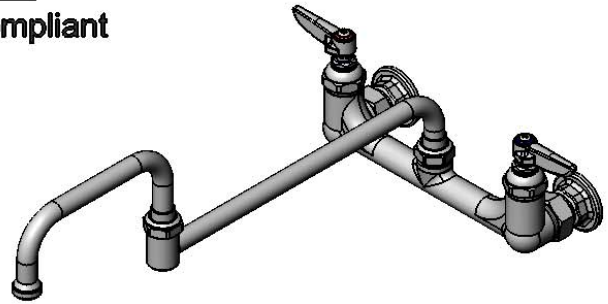
Customer/Wholesaler \_\_\_\_\_

Contractor \_\_\_\_\_

Architect/Engineer \_\_\_\_\_



**ADA Compliant**



Product Specifications:  
Wall Mount Mixing Faucet w/ Eterna Cartridges, Lever Handle,  
18" Double Swing Joint Nozzle & 1/2" NPT Inlets

Drawn

**DHL**

Checked

**KJG**

Approved

**JHB**

Scale:

**1:4**

Date:

**11/03/11**



# T&S BRASS AND BRONZE WORKS, INC.

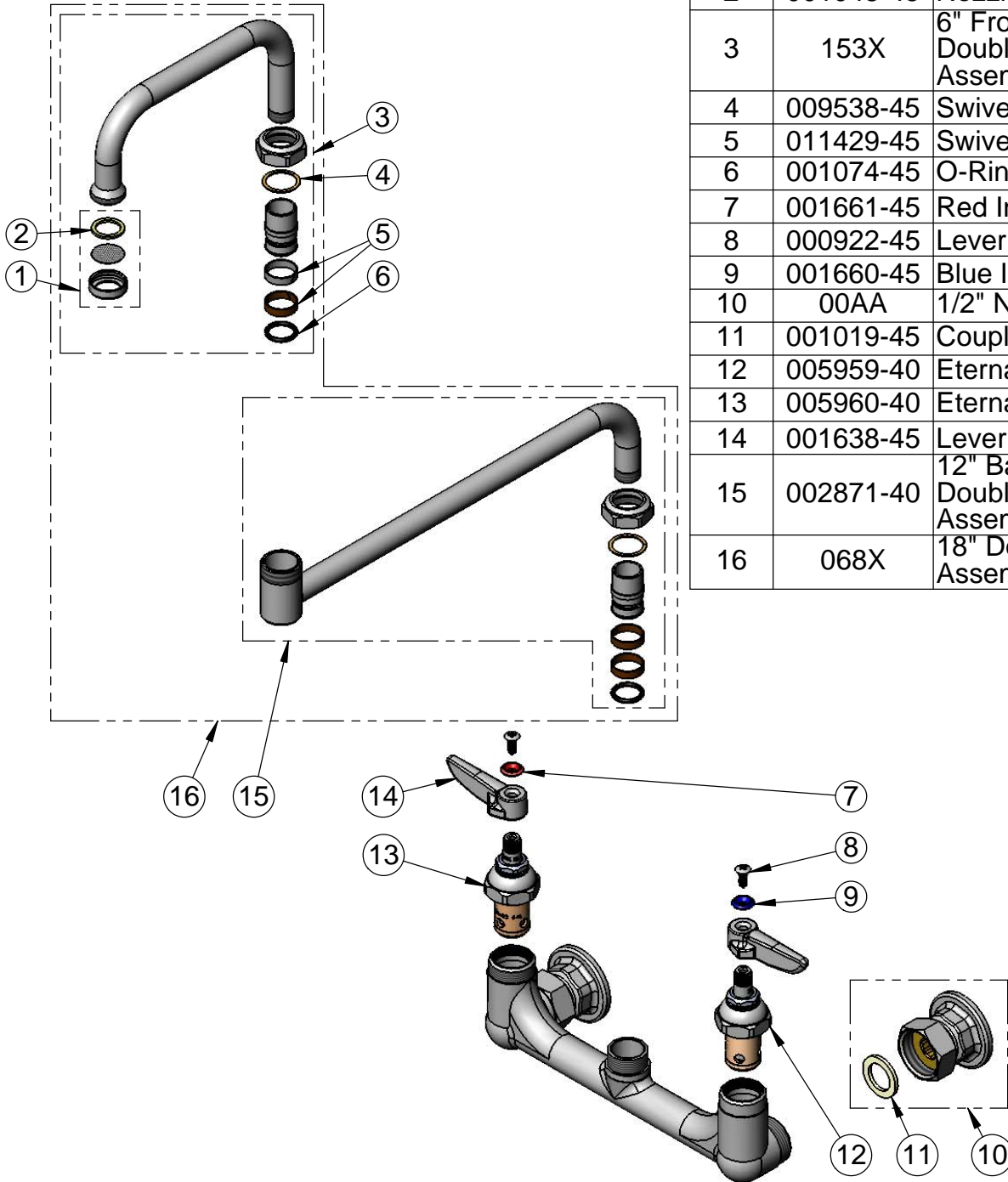
2 Saddleback Cove / P.O. Box 1088  
Travelers Rest, SC 29690

Model No.

**B-0265**

Item No.

Travelers Rest, SC: 800-476-4103 • Simi Valley, CA: 800-423-0150 • Fax: 864-834-3518 • www.tsbrass.com



ITEM NO.	SALES NO.	DESCRIPTION
1	B-PT	Stream Regulator
2	001048-45	Nozzle Tip Washer
3	153X	6" Front Section For Double Joint Nozzle Assembly
4	009538-45	Swivel Washer
5	011429-45	Swivel Sleeves (2)
6	001074-45	O-Ring
7	001661-45	Red Index-HW
8	000922-45	Lever Handle Screw
9	001660-45	Blue Index-CW
10	00AA	1/2" NPT Wall Flange
11	001019-45	Coupling Nut Washer
12	005959-40	Eterna Cartridge - LTC
13	005960-40	Eterna Cartridge - RTC
14	001638-45	Lever Handle
15	002871-40	12" Back Section For Double Joint Nozzle Assembly
16	068X	18" Double Joint Nozzle Assembly

Product Specifications:  
Wall Mount Mixing Faucet w/ Eterna Cartridges, Lever Handle,  
18" Double Swing Joint Nozzle & 1/2" NPT Inlets

Drawn <b>DHL</b>	Checked <b>KJG</b>	Approved <b>JHB</b>
Scale: <b>NTS</b>		Date: <b>11/03/11</b>