



T&S BRASS AND BRONZE WORKS, INC.

2 Saddleback Cove / P.O. Box 1088
Travelers Rest, SC 29690



REG. #A2601
ISO #9001

Model No.

B-0325

Item No.

Travelers Rest, SC: 800-476-4103 Simi Valley, CA: 800-423-0150 Fax: 864-834-3518 www.tsbrass.com

This Space for Architect/Engineer Approval

Job Name _____ Date _____

Model Specified _____ Quantity _____

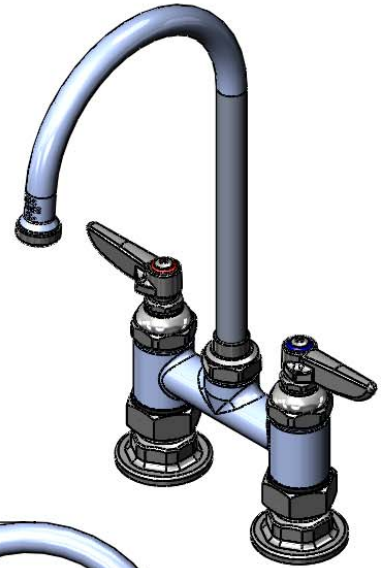
Customer/Wholesaler _____

Contractor _____

Architect/Engineer _____

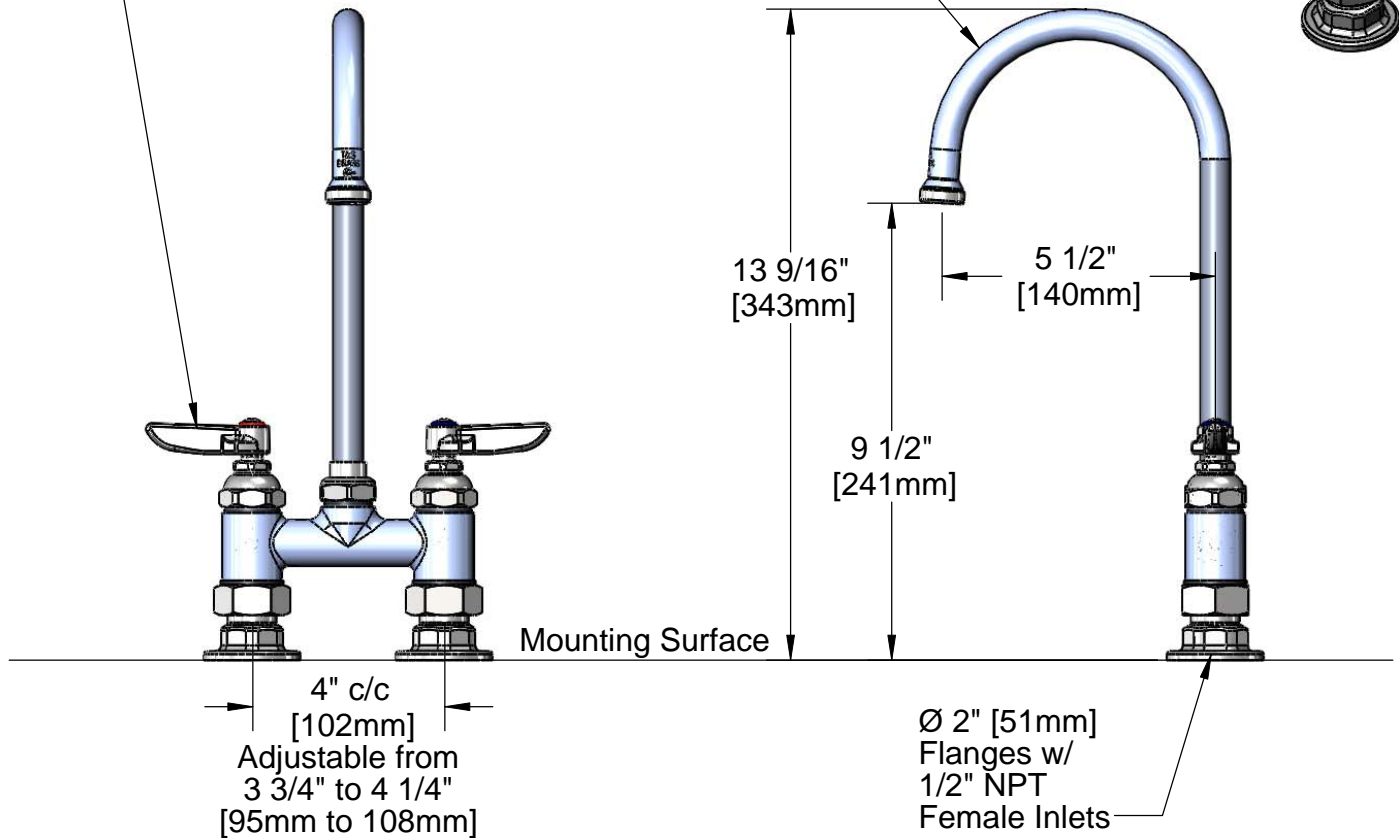


ADA Compliant



Eterna Cartridges & Lever Handles w/ Color Coded Indexes

133X Swivel Gooseneck w/ B-PT Stream Regulator Outlet



Note: Rough-In Requirement

Ø 1 1/2" [38mm] Holes
Ø 1 1/4" [32mm] Minimum

Product Specifications:

4" c/c Double Pantry Faucet, Eterna Cartridges, 133X Swivel Gooseneck w/ B-PT Stream Regulator Outlet, Lever Handles & 1/2" NPT Female Inlets

Drawn DHL	Checked JRM	Approved JHB
Scale: 1:4		Date: 02/17/11



T&S BRASS AND BRONZE WORKS, INC.

2 Saddleback Cove / P.O. Box 1088
Travelers Rest, SC 29690



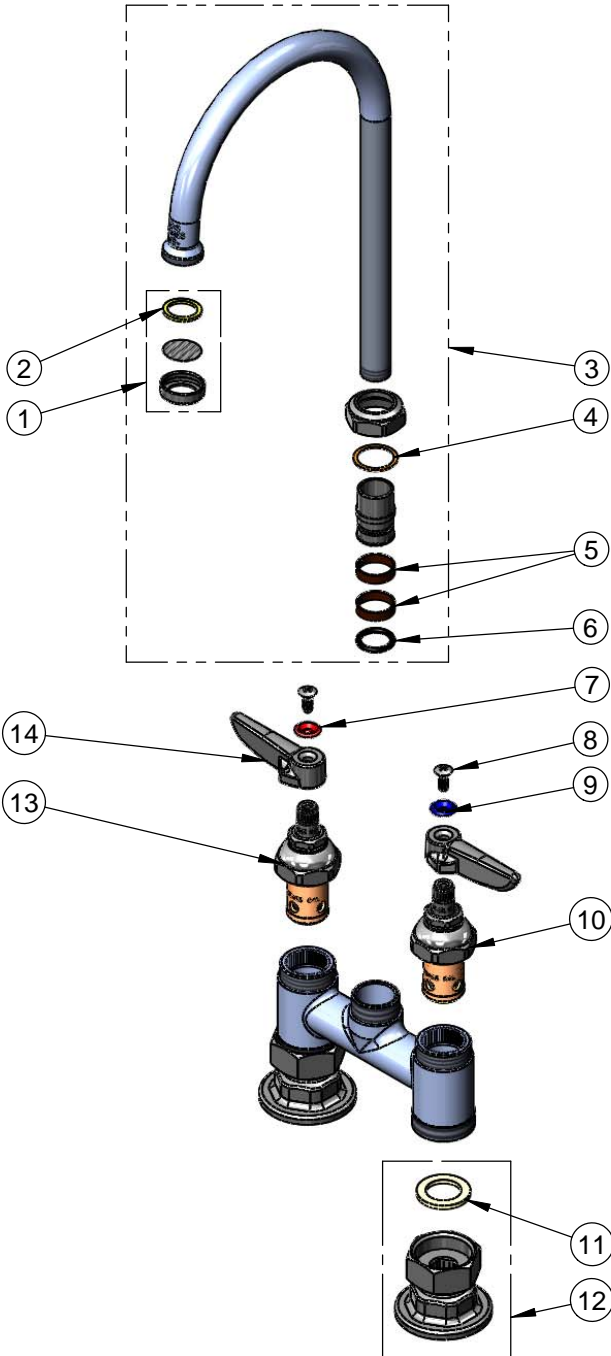
REG. #A2601
ISO #9001

Model No.

B-0325

Item No.

Travelers Rest, SC: 800-476-4103 Simi Valley, CA: 800-423-0150 Fax: 864-834-3518 www.tsbrass.com



ITEM NO.	SALES NO.	DESCRIPTION
1	B-PT	Stream Regulator Assembly
2	001048-45	Nozzle Tip Washer
3	133X	Swivel Gooseneck Assembly
4	009538-45	Swivel Washer
5	011429-45	Swivel Sleeves (2)
6	001074-45	O-Ring
7	001661-45	Red Index-HW
8	000922-45	Lever Handle Screw
9	001660-45	Blue Index-CW
10	005959-40	Spindle Asm, Eterna "Cold"
11	001019-45	Coupling Nut Washer
12	00AA	Flange Assembly
13	005960-40	Spindle Asm, Eterna "Hot"
14	001638-45	Lever Handle

Product Specifications:

4" c/c Double Pantry Faucet, Eterna Cartridges, 133X Swivel Gooseneck w/ B-PT Stream Regulator Outlet, Lever Handles & 1/2" NPT Female Inlets

Drawn DHL	Checked JRM	Approved JHB
Scale: NTS		Date: 02/17/11