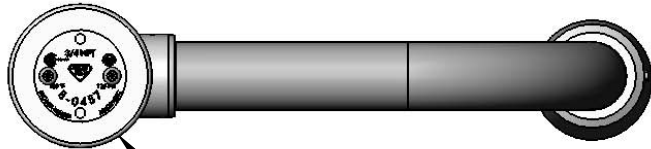


T&S BRASS AND BRONZE WORKS, INC.
 2 Saddleback Cove / P.O. Box 1088
 Travelers Rest, SC 29690

Model No.
B-0457

Item No.

Travelers Rest, SC: 800-476-4103 • Simi Valley, CA: 800-423-0150 • Fax: 864-834-3518 • www.tsbrass.com



001301-45
 3/4" NPT
 Vacuum Breaker

This Space for Architect/Engineer Approval

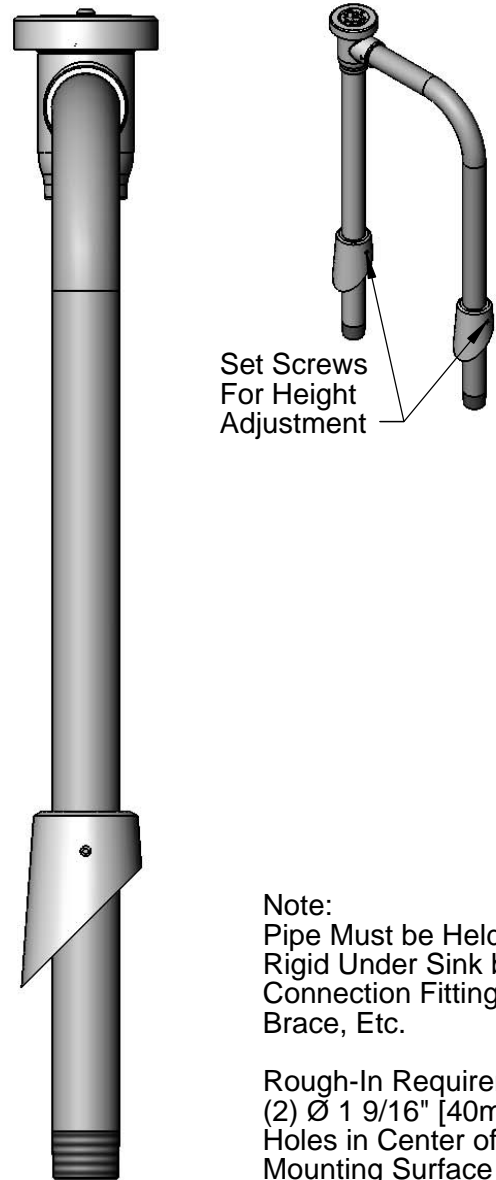
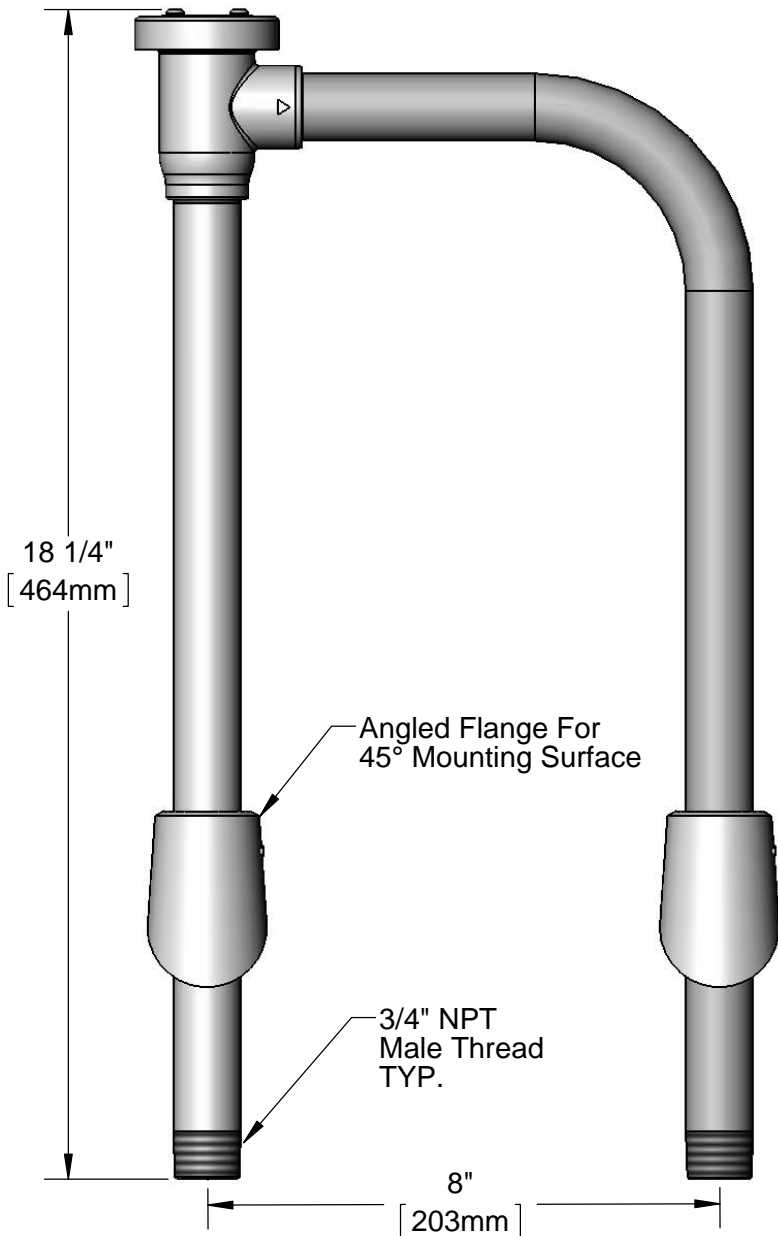
Job Name _____ Date _____

Model Specified _____ Quantity _____

Customer/Wholesaler _____

Contractor _____

Architect/Engineer _____



Note:
 Pipe Must be Held Rigid Under Sink by Connection Fittings, Brace, Etc.

Rough-In Requirement:
 (2) Ø 1 9/16" [40mm] Holes in Center of 45° Mounting Surface to Slip 3/4" Pipe Through.

Product Specifications:
 3/4" NPT Vacuum Breaker Unit

Drawn DHL	Checked DMH	Approved JHB
Scale: 1:3		Date: 12/20/12