



T&S BRASS AND BRONZE WORKS, INC.
 2 Saddleback Cove / P.O. Box 1088
 Travelers Rest, SC 29690

Model No.
B-1120

Item No.

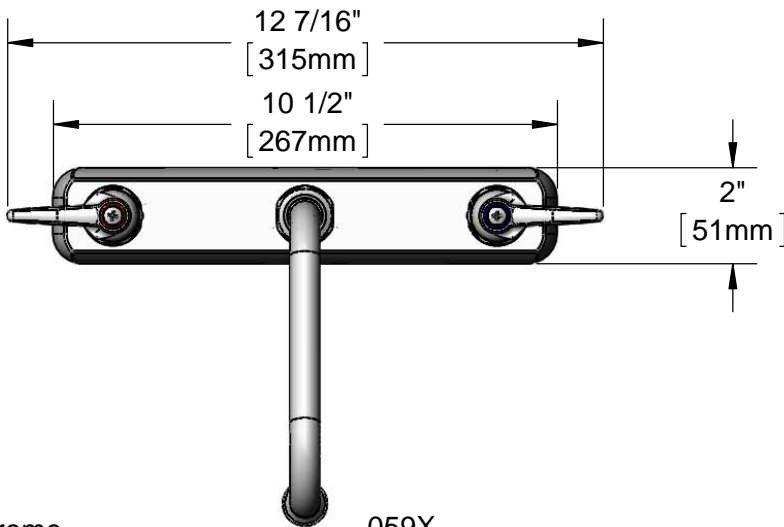
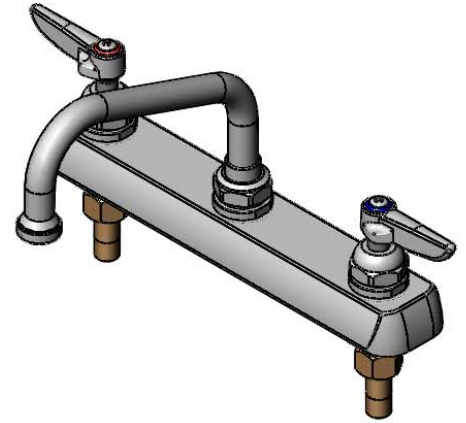
Travelers Rest, SC: 800-476-4103 • Simi Valley, CA: 800-423-0150 • Fax: 864-834-3518 • www.tsbrass.com

This Space for Architect/Engineer Approval

Job Name _____ Date _____
 Model Specified _____ Quantity _____
 Customer/Wholesaler _____
 Contractor _____
 Architect/Engineer _____



ADA Compliant



Polished Chrome
Plated Escutcheon

Lever Handles
w/ Color Coded
Indexes

059X
6" Swing Nozzle
w/ Stream Regulator Outlet

3 1/16"
[78mm]

3 1/4"
[82mm]

Mounting
Surface

5 15/16"
[151mm]

1"
[25mm]

8"
[203mm]

1/8"
[3mm]
Maximum
Thickness

1/2" NPT
Male Inlets

(2) 150A
Optional Tailpiece & Nut
For 1/4" NPT Connection
(Included)

Rough-In Requirement:
(2) Ø 1" [25mm] Mounting Holes

Product Specifications:
 8" Deck Mount Workboard Faucet, Lever Handles,
 6" Swing Nozzle w/ Stream Regulator Outlet & 1/2" NPT Male Inlets

Drawn DHL	Checked DMH	Approved JHB
Scale: 1:4		Date: 02/11/13

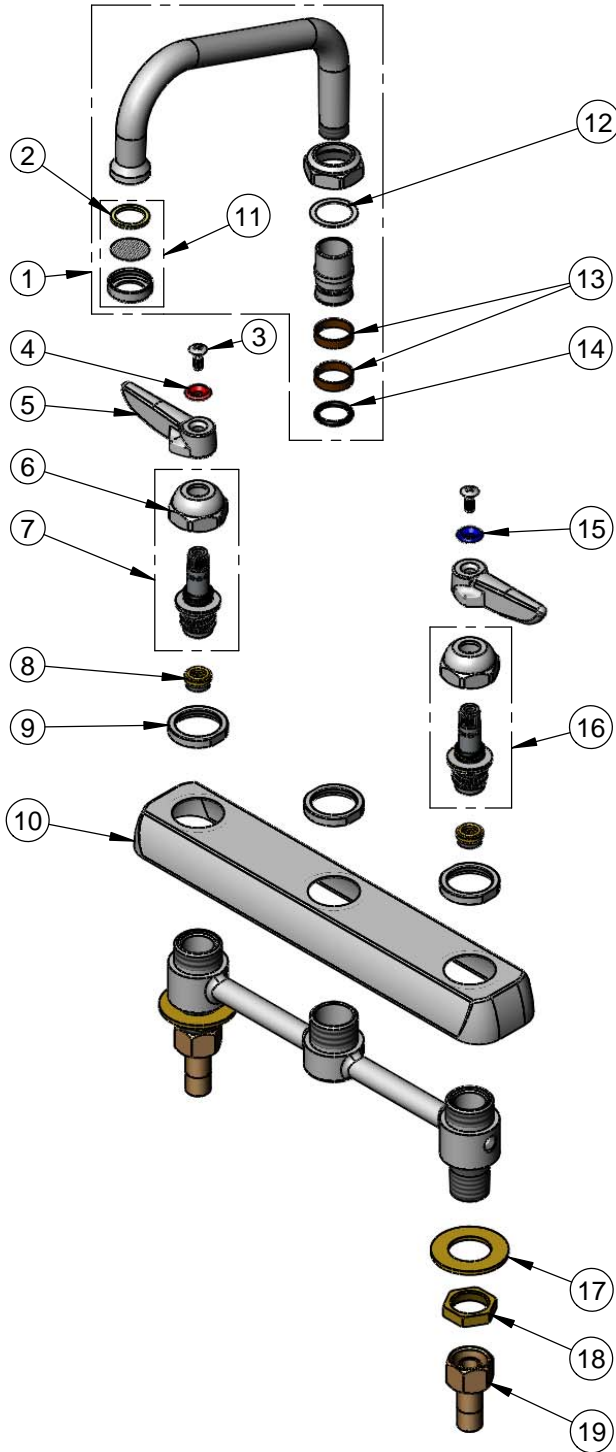


T&S BRASS AND BRONZE WORKS, INC.
 2 Saddleback Cove / P.O. Box 1088
 Travelers Rest, SC 29690

Model No.
B-1120

Item No.

Travelers Rest, SC: 800-476-4103 • Simi Valley, CA: 800-423-0150 • Fax: 864-834-3518 • www.tsbrass.com



ITEM NO.	SALES NO.	DESCRIPTION
1	059X	6" Swivel Nozzle w/ B-PT Stream Regulator Outlet
2	001048-45	Nozzle Tip Washer
3	000922-45	Lever Handle Screw
4	001661-45	Red Index-HW
5	001638-45	Lever Handle
6	009749-25	Bonnet Nut
7	009753-25	B-1100 Spindle Assembly, RTC
8	000763-20	Seat
9	000712-25	Escutcheon Lock Nut
10	001259-40	Escutcheon
11	B-PT	Stream Regulator Outlet
12	009538-45	Swivel Washer
13	011429-45	Swivel Sleeves (2)
14	001074-45	O-Ring
15	001660-45	Blue Index-CW
16	009754-25	B-1100 Spindle Assembly, LTC
17	000999-45	Brass Lock Washer
18	002954-45	Shank Lock Nut
19	150A	1/4" NPT Tailpiece & Nut

Product Specifications:
 8" Deck Mount Workboard Faucet, Lever Handles,
 6" Swing Nozzle w/ Stream Regulator Outlet & 1/2" NPT Male Inlets

Drawn DHL	Checked DMH	Approved JHB
Scale: NTS		Date: 02/11/13