



T&S BRASS AND BRONZE WORKS, INC.
 2 Saddleback Cove / P.O. Box 1088
 Travelers Rest, SC 29690

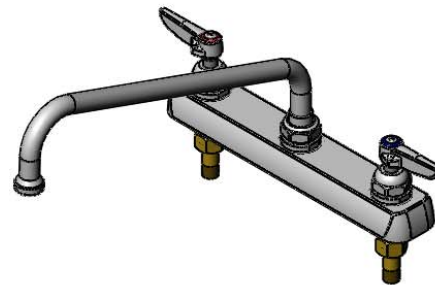
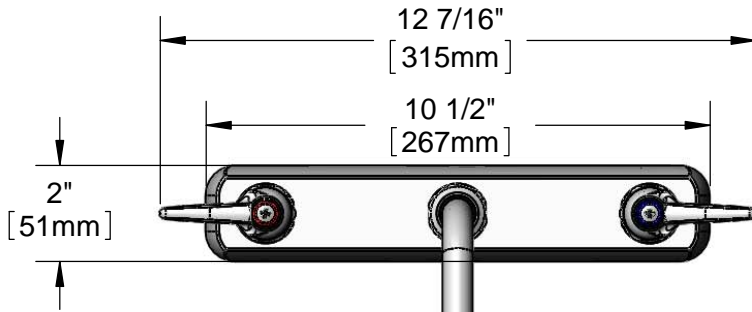
Model No.
B-1123

Item No.

Travelers Rest, SC: 800-476-4103 • Simi Valley, CA: 800-423-0150 • Fax: 864-834-3518 • www.tsbrass.com

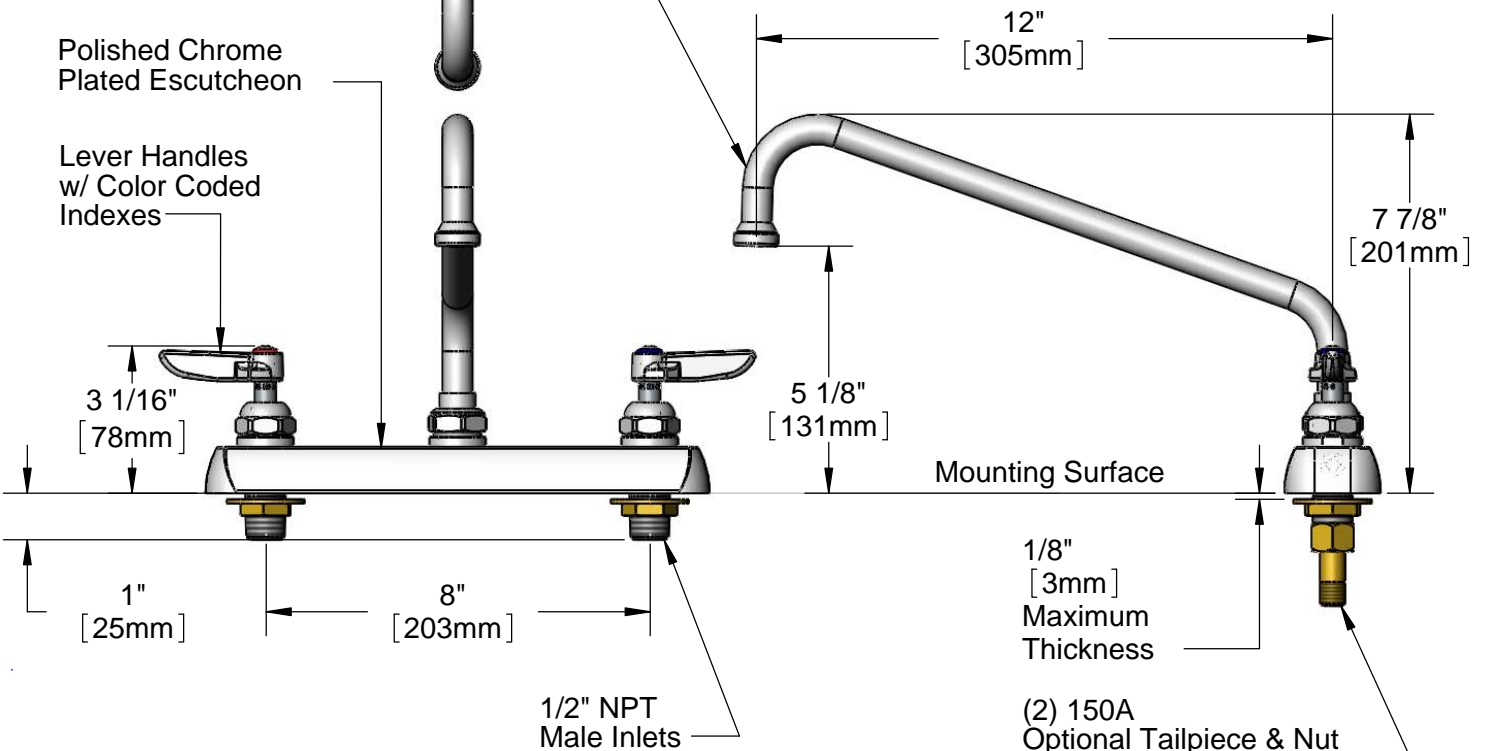
This Space for Architect/Engineer Approval

Job Name _____ Date _____
 Model Specified _____ Quantity _____
 Customer/Wholesaler _____
 Contractor _____
 Architect/Engineer _____



ADA Compliant

062X
 12" Swing Nozzle
 w/ Stream Regulator Outlet



Rough-In Requirement:
 (2) ϕ 1" [25mm] Mounting Holes

1/8"
 [3mm]
 Maximum
 Thickness

(2) 150A
 Optional Tailpiece & Nut
 For 1/4" NPT Connection
 (Included)

Product Specifications:
 8" Deck Mount Workboard Faucet w/ Lever Handles,
 12" Swing Nozzle, Stream Regulator Outlet & 1/2" NPT Male Inlets

| | | |
|----------------------|-----------------------|--------------------------|
| Drawn DHL | Checked DMH | Approved JHB |
| Scale: 1:4 | | Date: 02/11/13 |

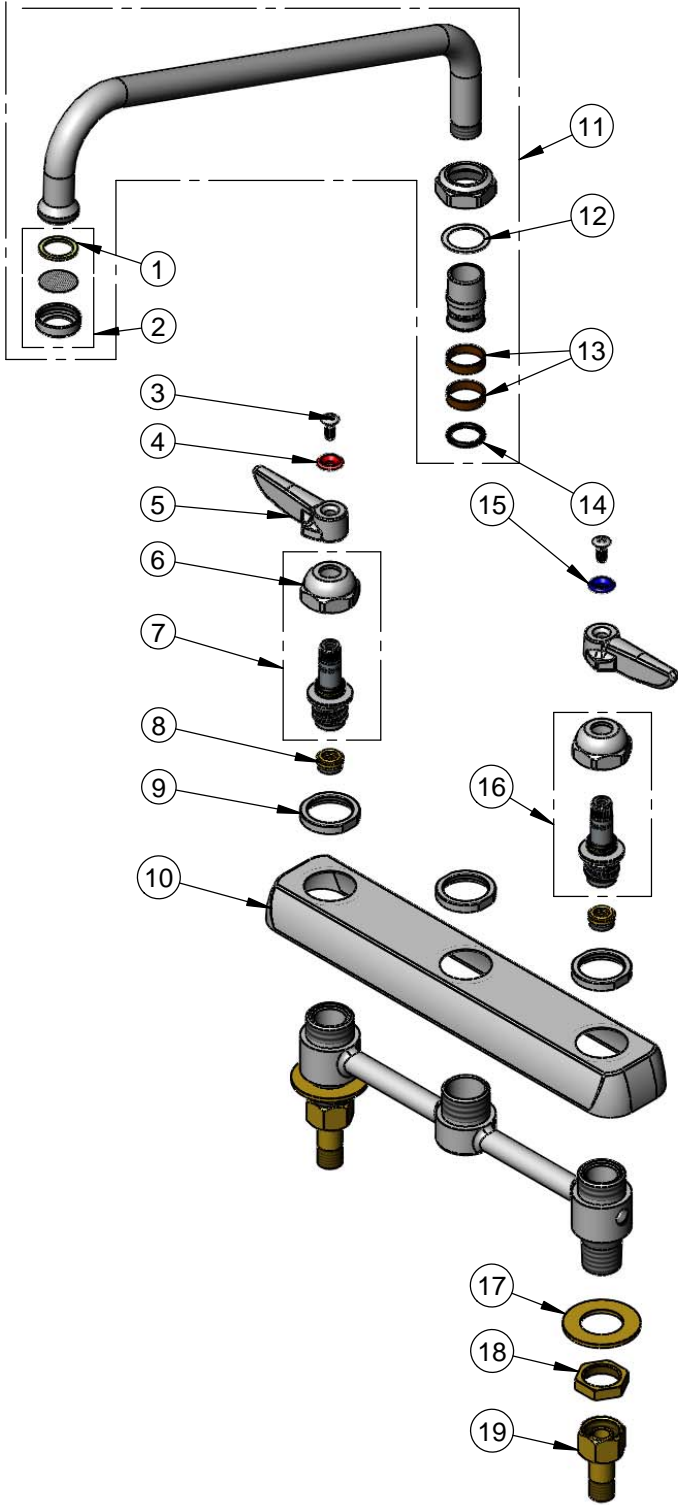


T&S BRASS AND BRONZE WORKS, INC.
 2 Saddleback Cove / P.O. Box 1088
 Travelers Rest, SC 29690

Model No.
B-1123

Item No.

Travelers Rest, SC: 800-476-4103 • Simi Valley, CA: 800-423-0150 • Fax: 864-834-3518 • www.tsbrass.com



| ITEM NO. | SALES NO. | DESCRIPTION |
|----------|-----------|--|
| 1 | 001048-45 | Nozzle Tip Washer |
| 2 | B-PT | Stream Regulator Outlet |
| 3 | 000922-45 | Lever Handle Screw |
| 4 | 001661-45 | Red Index-HW |
| 5 | 001638-45 | Lever Handle |
| 6 | 009749-25 | Bonnet Nut |
| 7 | 009753-25 | B-1100 Spindle Assembly, RTC |
| 8 | 000763-20 | Seat |
| 9 | 000712-25 | Escutcheon Lock Nut |
| 10 | 001259-40 | Escutcheon |
| 11 | 062X | 12" Swing Nozzle w/ B-PT Stream Regulator Outlet |
| 12 | 009538-45 | Swivel Washer |
| 13 | 011429-45 | Swivel Sleeves (2) |
| 14 | 001074-45 | O-Ring |
| 15 | 001660-45 | Blue Index-CW |
| 16 | 009754-25 | B-1100 Spindle Assembly, LTC |
| 17 | 000999-45 | Brass Lock Washer |
| 18 | 002954-45 | Shank Lock Nut |
| 19 | 150A | 1/4" NPT Tailpiece & Nut |

Product Specifications:
 8" Deck Mount Workboard Faucet w/ Lever Handles,
 12" Swing Nozzle, Stream Regulator Outlet & 1/2" NPT Male Inlets

| | | |
|----------------------|-----------------------|--------------------------|
| Drawn DHL | Checked DMH | Approved JHB |
| Scale: NTS | | Date: 02/11/13 |