



# T&S BRASS AND BRONZE WORKS, INC.

2 Saddleback Cove / P.O. Box 1088  
Travelers Rest, SC 29690

Model No.

**B-1125-XS**

Item No.

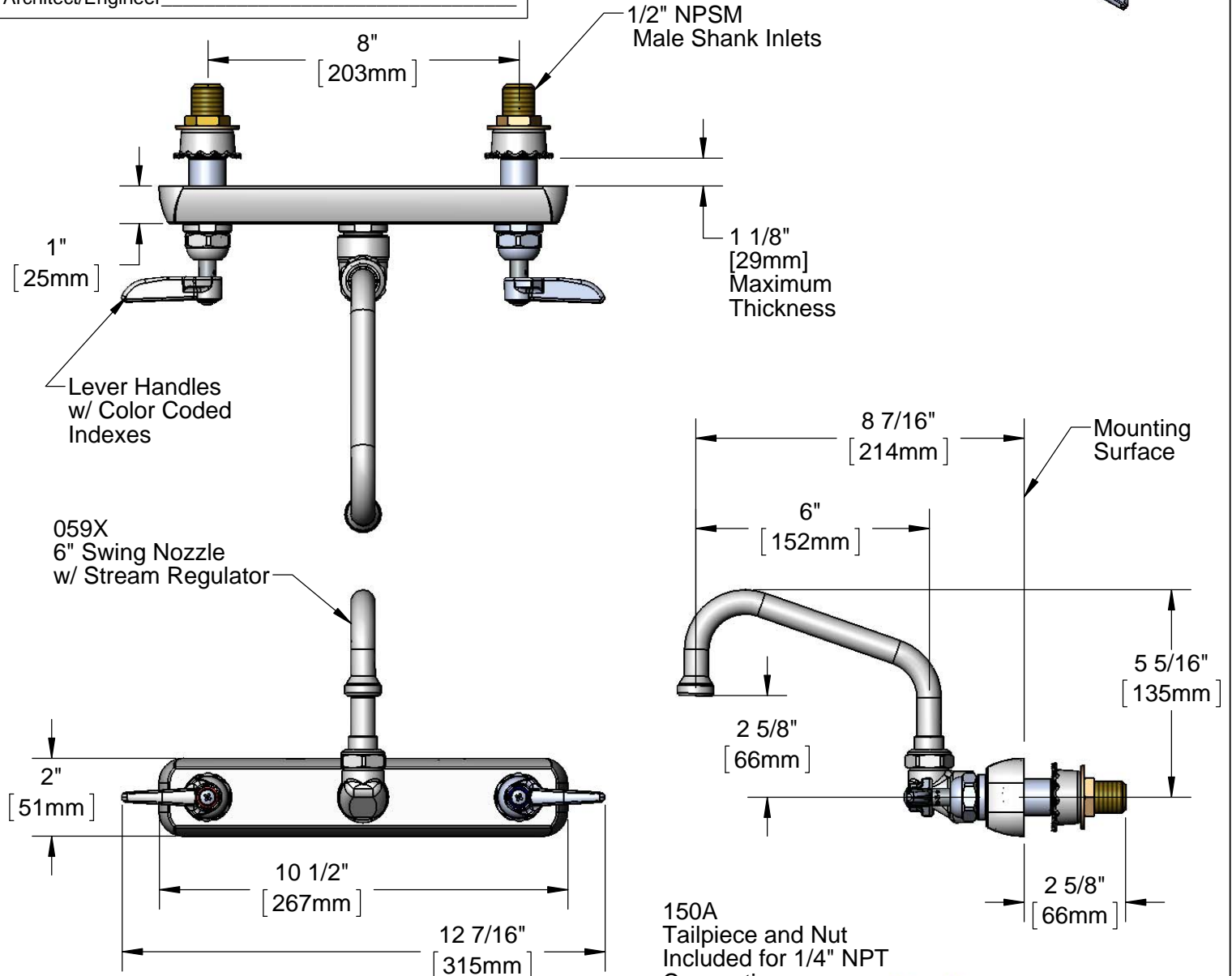
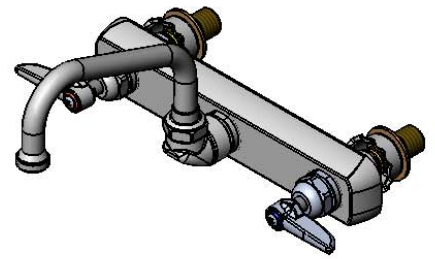
Travelers Rest, SC: 800-476-4103 • Simi Valley, CA: 800-423-0150 • Fax: 864-834-3518 • www.tsbrass.com

This Space for Architect/Engineer Approval

Job Name \_\_\_\_\_ Date \_\_\_\_\_  
 Model Specified \_\_\_\_\_ Quantity \_\_\_\_\_  
 Customer/Wholesaler \_\_\_\_\_  
 Contractor \_\_\_\_\_  
 Architect/Engineer \_\_\_\_\_



**ADA Compliant**



Rough-In Requirement:  
(2) Ø 1" [25mm] Mounting Holes

Product Specifications:  
8" Wall Mount Workboard Faucet w/ Lever Handles, 6" Swing Nozzle,  
Stream Regulator, 1/2" NPSM Male Extended Shanks

Drawn <b>KJG</b>	Checked <b>GEF</b>	Approved <b>JHB</b>
Scale: <b>1:4</b>		Date: <b>05/31/12</b>



# T&S BRASS AND BRONZE WORKS, INC.

2 Saddleback Cove / P.O. Box 1088  
Travelers Rest, SC 29690

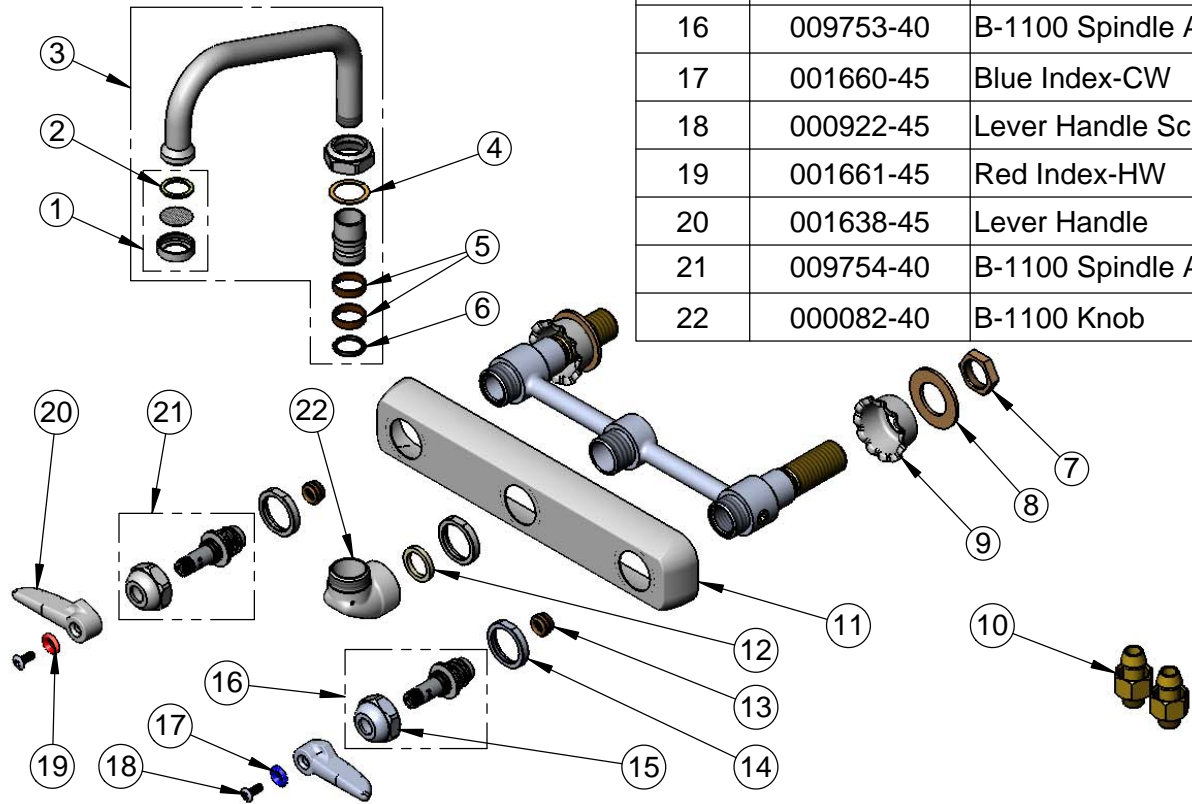
Model No.

**B-1125-XS**

Item No.

Travelers Rest, SC: 800-476-4103 • Simi Valley, CA: 800-423-0150 • Fax: 864-834-3518 • www.tsbrass.com

ITEM NO.	SALES NO.	DESCRIPTION
1	B-PT	Stream Regulator Outlet
2	001048-45	Nozzle Tip Washer
3	059X	6" Swing Nozzle
4	009538-45	Swivel Washer
5	011429-45	Swivel Sleeves (2)
6	001074-45	O-Ring
7	002954-45	Shank Lock Nut
8	000999-45	Brass Lock Washer
9	001000-45	Rosette Washer
10	150A	Bag of (1) Nut & (1) Tailpiece,
11	001259-40	Escutcheon
12	001017-45	Washer
13	000763-20	Seat
14	000712-25	Escutcheon Lock Nut
15	009749-25	Bonnet Nut
16	009753-40	B-1100 Spindle Assembly, RTC
17	001660-45	Blue Index-CW
18	000922-45	Lever Handle Screw
19	001661-45	Red Index-HW
20	001638-45	Lever Handle
21	009754-40	B-1100 Spindle Assembly, LTC
22	000082-40	B-1100 Knob



Product Specifications:  
8" Wall Mount Workboard Faucet w/ Lever Handles, 6" Swing Nozzle,  
Stream Regulator, 1/2" NPSM Male Extended Shanks

Drawn <b>KJG</b>	Checked <b>GEF</b>	Approved <b>JHB</b>
Scale: <b>NTS</b>		Date: <b>05/31/12</b>