

**T&S BRASS AND BRONZE WORKS, INC.**  
 2 SADDLEBACK COVE / P.O. BOX 1088 / TRAVELERS REST, SC 29690  
 PHONE 800-476-4103 - FAX 864- 834-3518



Model No.

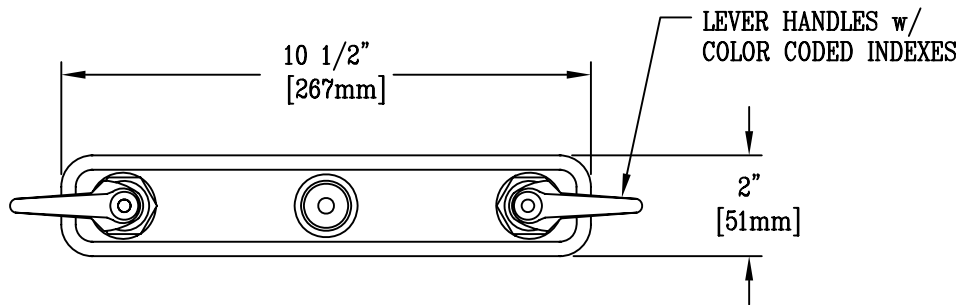
B-1132

**RELIABILITY  
 BUILT IN**

Job Name:

Architect/Engineer Approval:

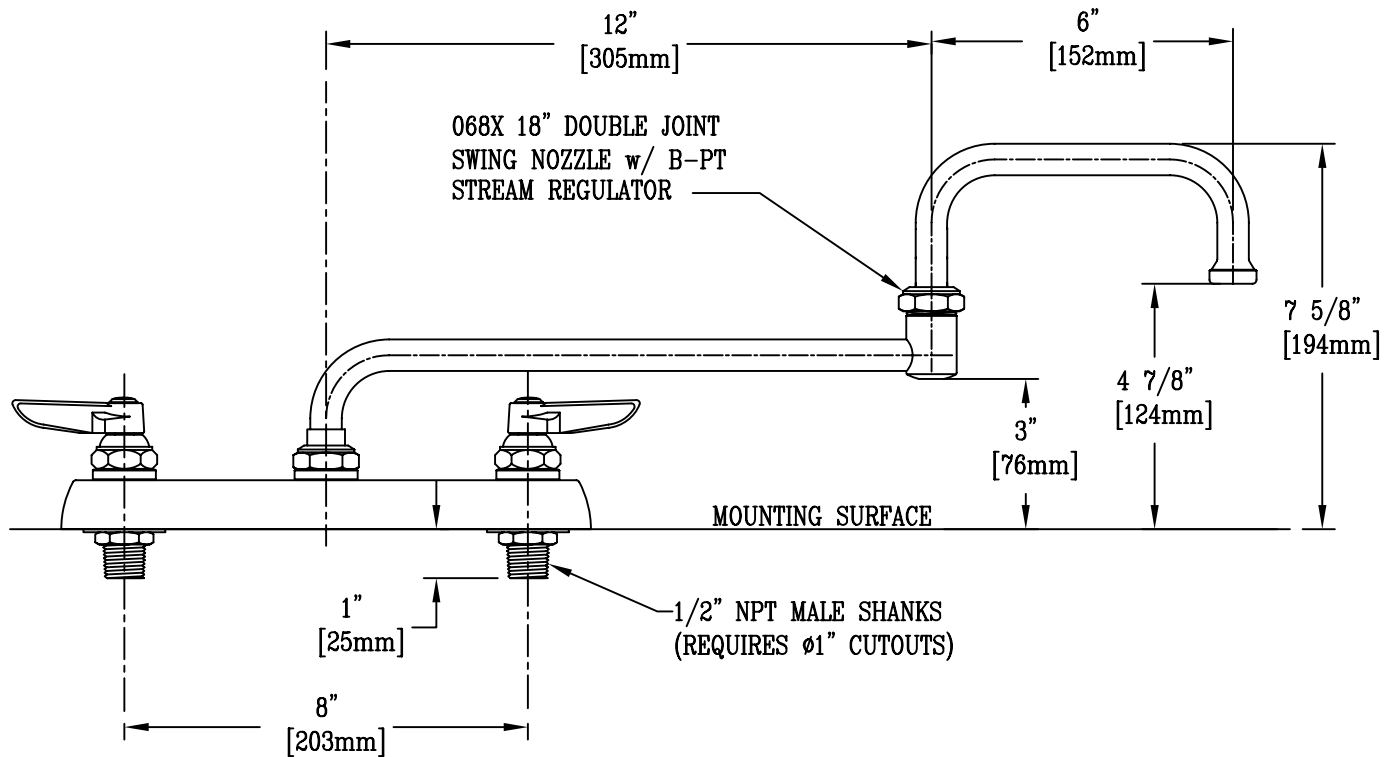
Notes:



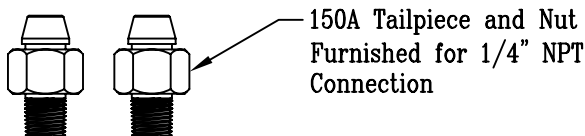
**TOP VIEW**



**ADA Compliant**



**FRONT VIEW**



Product Description:  
 WORKBOARD FAUCET WITH 1/2" NPT MALE SHANKS,  
 8" INLET CENTERS, 068X 18" DOUBLE JOINT  
 SWING NOZZLE, B-PT STREAM REGULATOR & LEVER HANDLES

Drawn:	Checked:	Scale:
KJG	JRM	1 : 4
Approved:	Date:	
JHB	12/19/07	