

T&S BRASS AND BRONZE WORKS, INC.
 2 SADDLEBACK COVE / P.O. BOX 1088 / TRAVELERS REST, SC 29690
 PHONE 800-476-4103 - FAX 864- 834-3518



Model No.

B-1137

**RELIABILITY
BUILT IN**

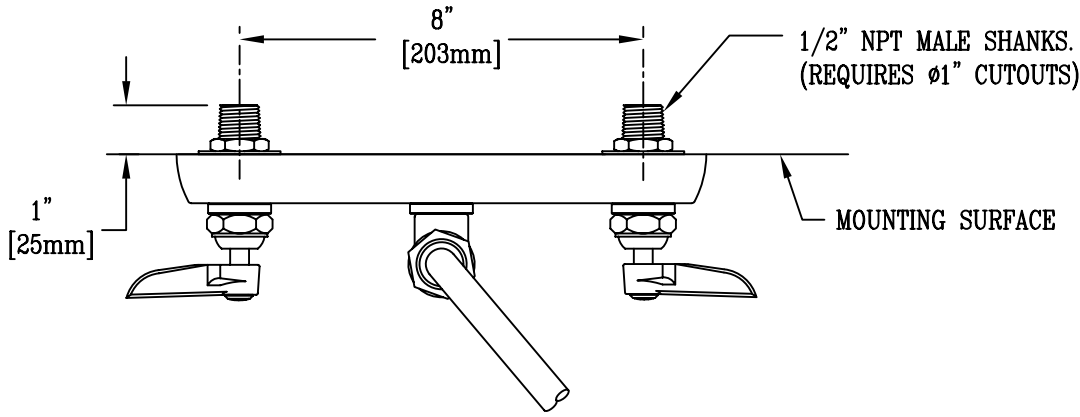
Job Name:

Architect/Engineer Approval:

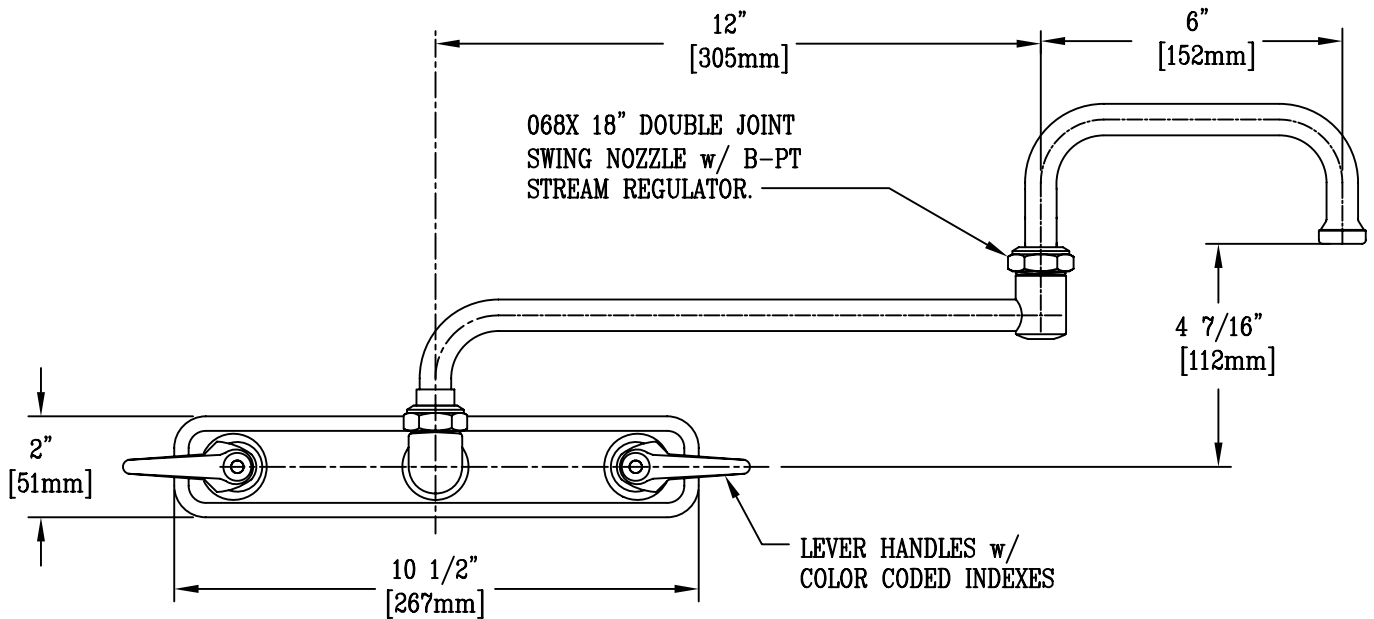
Notes:



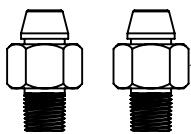
ADA Compliant



TOP VIEW



FRONT VIEW



150A Tailpiece and Nut
 Furnished for 1/4" NPT
 Connection

B-1100-K ELBOW KIT SOLD
 SEPARATELY. CONTAINS (2)
 1/2" NPT MALE 90° ELBOWS

Product Description:
 WALL MOUNT WORKBOARD FAUCET w/ 1/2" NPT
 MALE SHANKS, 8" INLET CENTERS, 068X 18" DOUBLE JOINT
 SWING NOZZLE, B-PT STREAM REGULATOR & LEVER HANDLES

Drawn:

KJG

Checked

JRM

Scale:

1 : 4

Approved

JHB

Date:

12/19/07