



T&S BRASS AND BRONZE WORKS, INC.

2 Saddleback Cove / P.O. Box 1088
Travelers Rest, SC 29690



REG. #A2601
ISO #9001

Model No.

B-2731

Item No.

Travelers Rest, SC: 800-476-4103 • Simi Valley, CA: 800-423-0150 • Fax: 864-834-3518 • www.tsbrass.com

This Space for Architect/Engineer Approval

Job Name _____ Date _____

Model Specified _____ Quantity _____

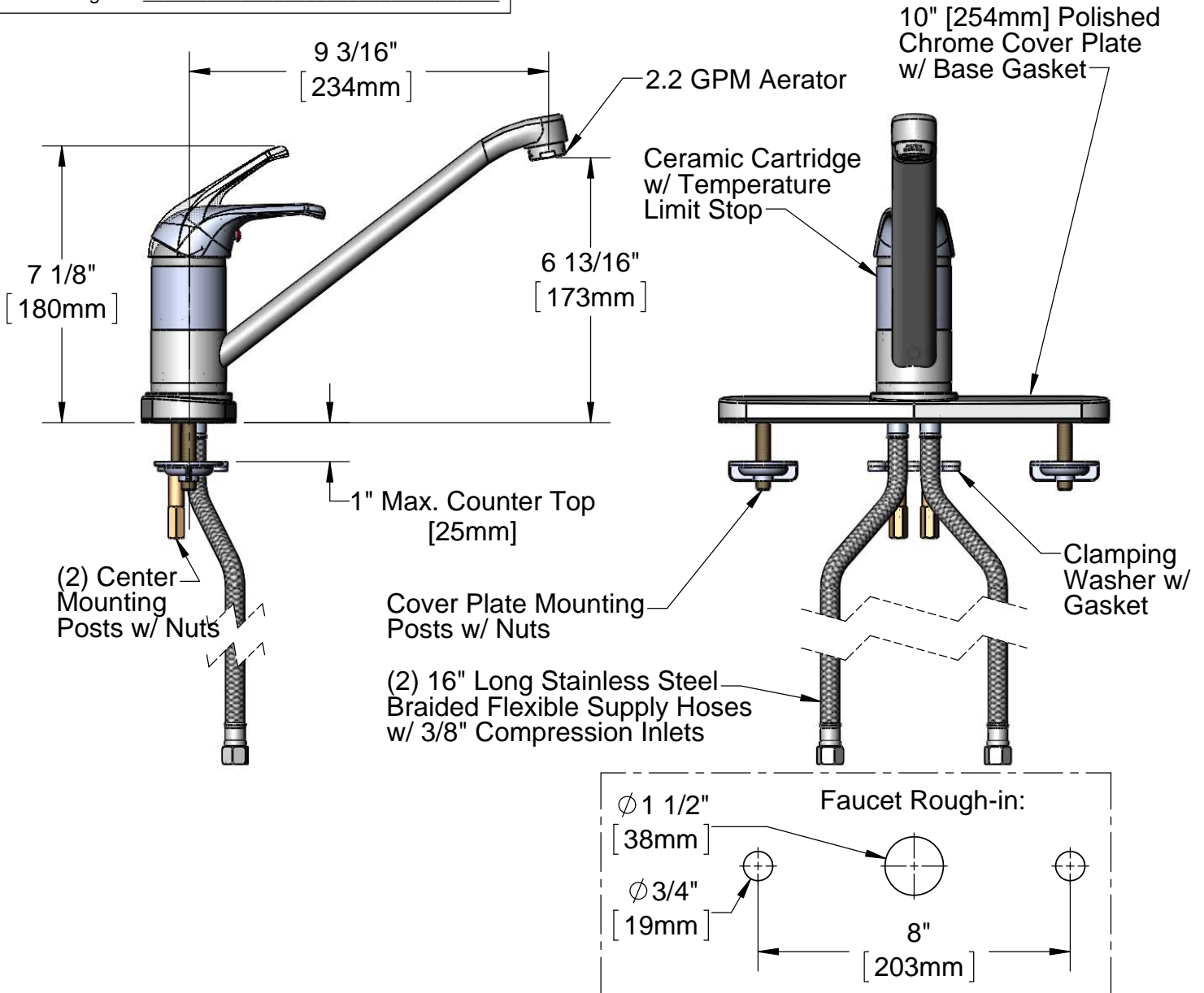
Customer/Wholesaler _____

Contractor _____

Architect/Engineer _____



ADA Compliant



Product Specifications:
Single Lever Deck Mount Faucet w/ 9" Swivel Spout, Flexible Supplies, 10" Deckplate, & Temperature Limit Stop

Drawn

DMH

Checked

DHL

Approved

JHB

Scale:

1:4

Date:

09/26/11



T&S BRASS AND BRONZE WORKS, INC.

2 Saddleback Cove / P.O. Box 1088
Travelers Rest, SC 29690



REG. #A2601
ISO #9001

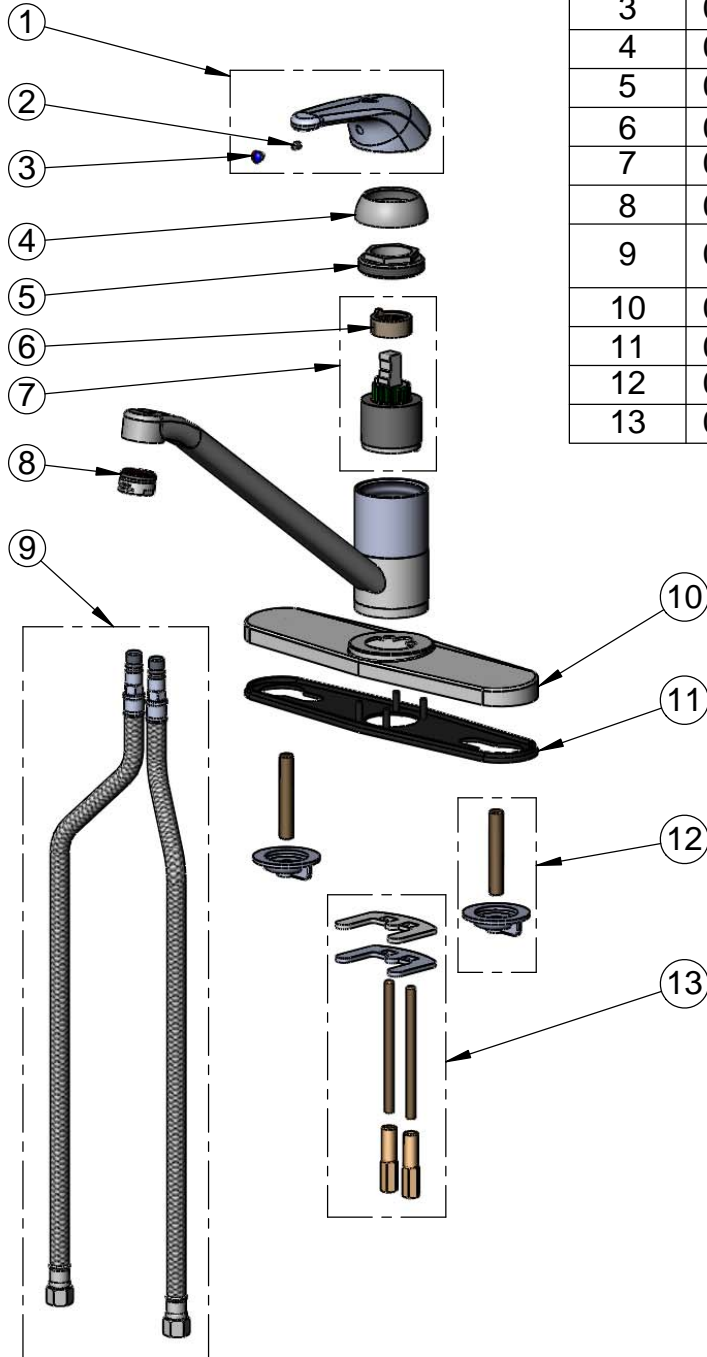
Model No.

B-2731

Item No.

Travelers Rest, SC: 800-476-4103 • Simi Valley, CA: 800-423-0150 • Fax: 864-834-3518 • www.tsbrass.com

ITEM NO.	SALES NO.	DESCRIPTION
1	013113-45	Handle, Single Lever
2	016675-45	Set Screw
3	014173-45	Index, Temperature
4	016661-45	Trim Ring
5	016663-45	Locking Nut
6	015400-45	Limit Switch
7	013080-45	Cartridge, B-2730 & B-2731
8	016671-45	Aerator, 2.2 GPM - 15/16-27 Male
9	016879-45	Supply Hoses (2). 3/8" Compression Inlet, 16" Long
10	014161-45	Deck Plate, B-2730 & B-2731
11	014160-45	Deck Plate Gasket, B-2730 & B-2731
12	014162-45	Mounting Post & Nut Kit (Set Of 2)
13	014163-45	Center Mounting Kit



Product Specifications:
Single Lever Deck Mount Faucet w/ 9" Swivel Spout, Flexible Supplies, 10" Deckplate, & Temperature Limit Stop

Drawn DMH	Checked DHL	Approved JHB
Scale: NTS		Date: 09/26/11