



T&S BRASS AND BRONZE WORKS, INC.
 2 Saddleback Cove / P.O. Box 1088
 Travelers Rest, SC 29690

Model No.
B-7212-01

Item No.

Travelers Rest, SC: 800-476-4103 • Simi Valley, CA: 800-423-0150 • Fax: 864-834-3518 • www.tsbrass.com

This Space for Architect/Engineer Approval

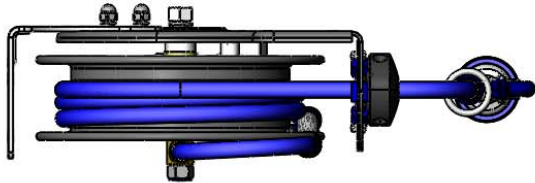
Job Name _____ Date _____

Model Specified _____ Quantity _____

Customer/Wholesaler _____

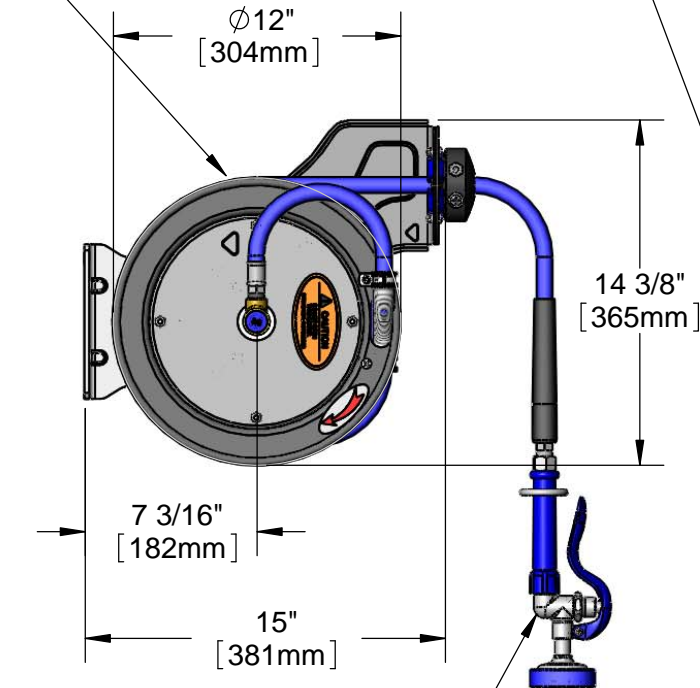
Contractor _____

Architect/Engineer _____

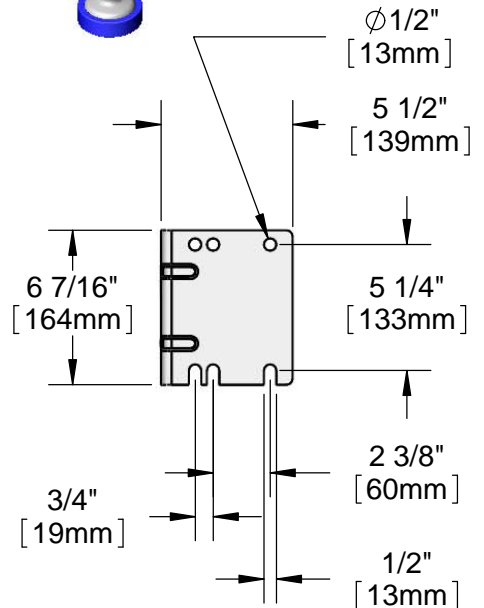
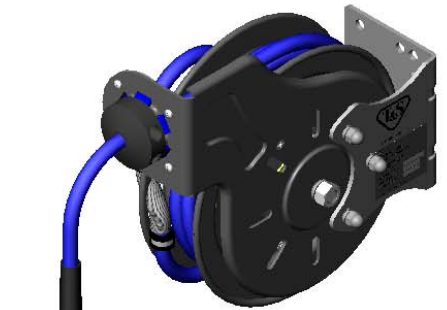
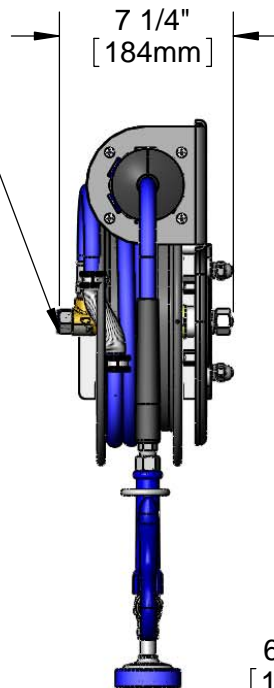


3/8" NPT Female Inlet
 (Left Side of Reel)

Open Coated Hose Reel;
 15 Ft. of 3/8" Hose



EB-0107
 Blue
 Spray Valve



Product Specifications:
 3/8" x 15 Ft. Open Coated Reel, EB-0107 Blue Spray Valve

Drawn DHL	Checked DMH	Approved JHB
Scale: 1:8	Date: 02/11/13	



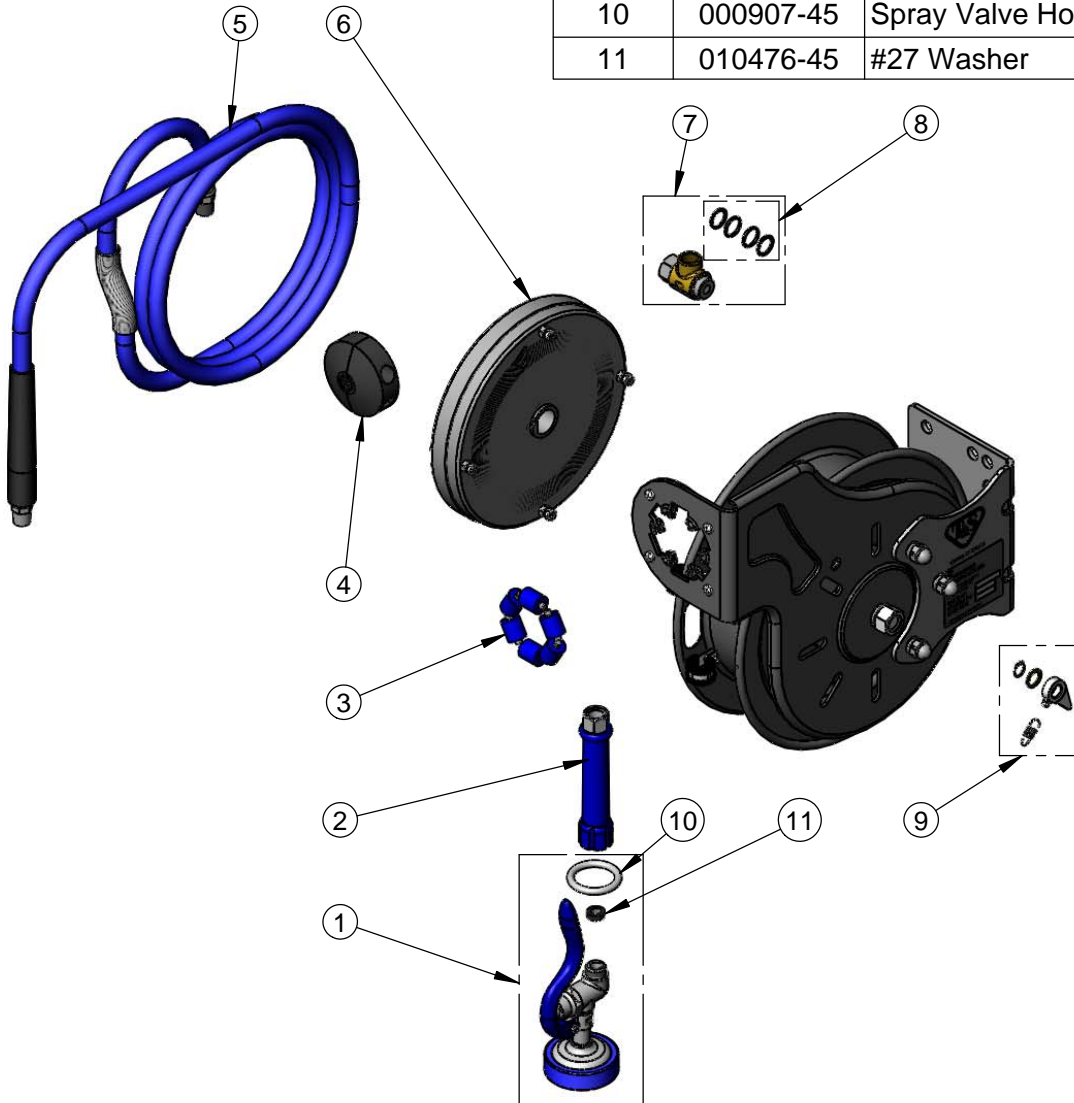
T&S BRASS AND BRONZE WORKS, INC.
 2 Saddleback Cove / P.O. Box 1088
 Travelers Rest, SC 29690

Model No.
B-7212-01

Item No.

Travelers Rest, SC: 800-476-4103 • Simi Valley, CA: 800-423-0150 • Fax: 864-834-3518 • www.tsbrass.com

ITEM NO.	SALES NO.	DESCRIPTION
1	EB-0107	Hi-Flow Blue Spray Valve
2	012504-40	Blue Handle Grip
3	014938-45	Roller Assembly Repair Kit
4	014949-45	Hose Stop Repair Kit
5	014944-45	38" x 15' Hose Replacement Kit
6	014932-45	Small Coated Spring Assembly
7	014946-45	3/8" Swivel Repair Kit
8	014948-45	O-Ring Replacement Kit
9	014940-45	Ratchet Repair Kit
10	000907-45	Spray Valve Hold Down Ring
11	010476-45	#27 Washer



Product Specifications:
 3/8" x 15 Ft. Open Coated Reel, EB-0107 Blue Spray Valve

Drawn DHL	Checked DMH	Approved JHB
Scale: NTS		Date: 02/11/13