



T&S BRASS AND BRONZE WORKS, INC.

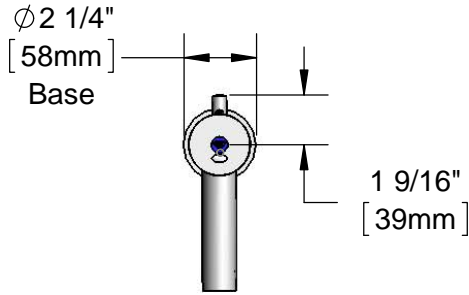
2 Saddleback Cove / P.O. Box 1088
Travelers Rest, SC 29690

Model No.

EC-3106

Item No.

Travelers Rest, SC: 800-476-4103 • Simi Valley, CA: 800-423-0150 • Fax: 864-834-3518 • www.tsbrass.com



ADA Compliant
(Automatic Electronic Operation Only)



This Space for Architect/Engineer Approval

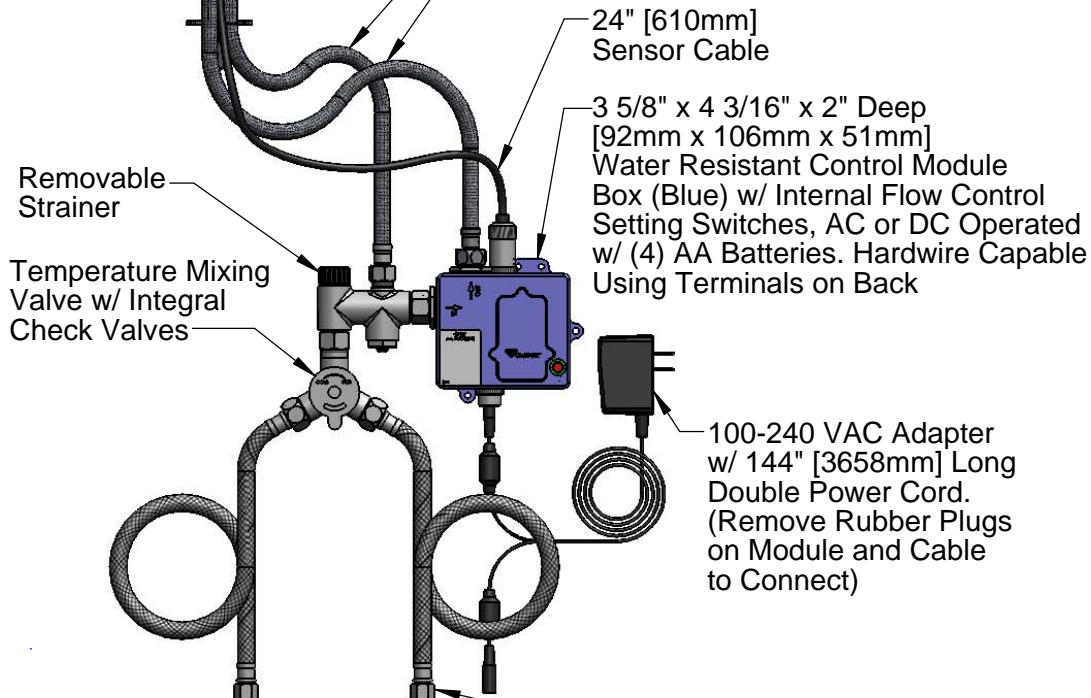
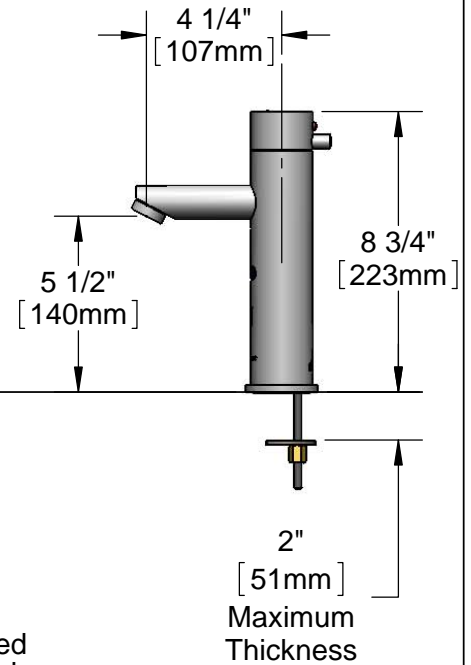
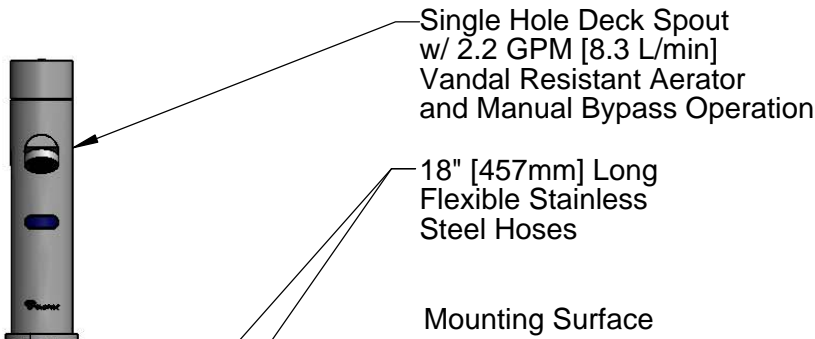
Job Name _____ Date _____

Model Specified _____ Quantity _____

Customer/Wholesaler _____

Contractor _____

Architect/Engineer _____



Rough-In Requirement:
 $\varnothing 1 \frac{1}{4}$ " [32mm] Mounting Hole

Product Specifications:

Chrome Plated Brass Electronic Faucet: Single Hole Deck Spout w/ VR Aerator & Manual Bypass, AC/DC Control Module w/ Internal Flow Control Setting Switches, Temperature Control Mixing Valve, 18" Long Supply Stop Flexible Connector Hoses

Drawn

KJG

Checked

DMH

Approved

JHB

Scale:

1:6

Date:

09/27/12



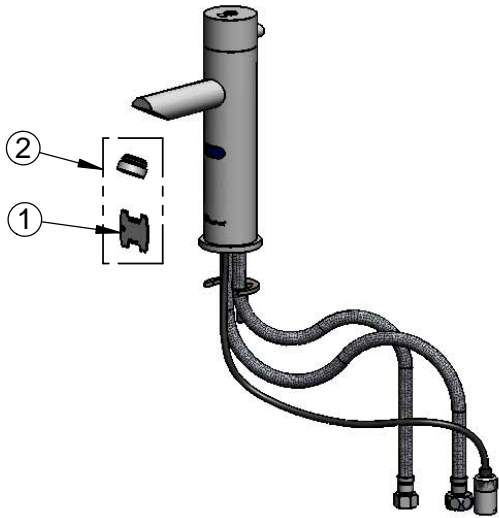
T&S BRASS AND BRONZE WORKS, INC.
 2 Saddleback Cove / P.O. Box 1088
 Travelers Rest, SC 29690

Model No.
EC-3106

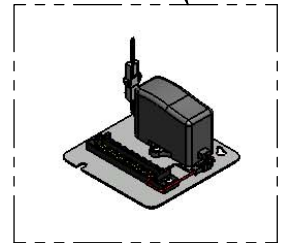
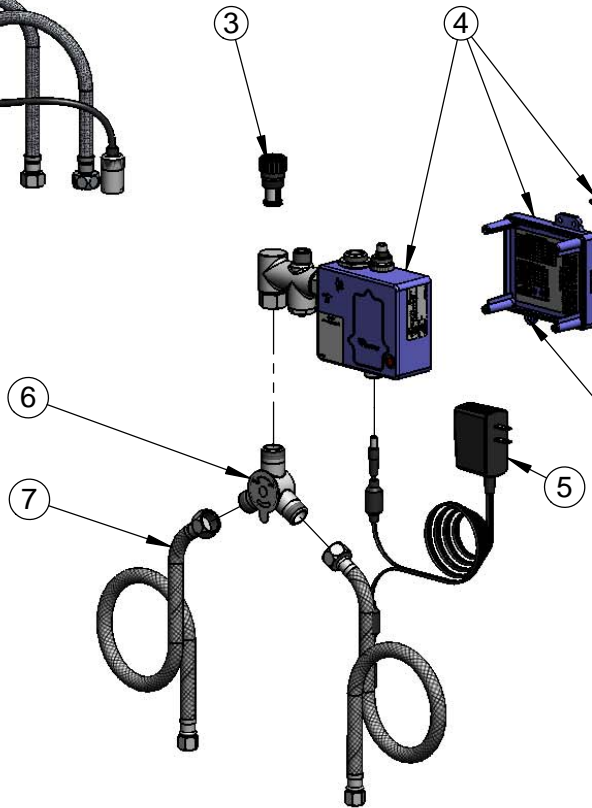
Item No.

Travelers Rest, SC: 800-476-4103 • Simi Valley, CA: 800-423-0150 • Fax: 864-834-3518 • www.tsbrass.com

ITEM NO.	SALES NUMBER	DESCRIPTION
1	015425-45	Vandal Resistant Key
2	B-0199-09	VR 2.2 GPM Aerator w/ Key
3	EC-FILTER	Replacement Filter
4	017493-45	ChekPoint Module (Blue) w/ Bypass Tee
5	5EF-0002	Double Gang, Plug-In A/C Transformer
6	5EF-0006	Manual Mixing Valve
7	5EF-0005	Supply Hose, 9/16-24 Female X 1/2" NPSM



Maximum of (8) ChekPoint Faucets Can be Hardwire Connected and Powered by ChekPoint Hardwire AC Transformer. EC-HARDWIRE (Sold Separately)



Label for Flow Control Switch Settings is Located on Inside of Back Cover.

Flow Control Switches are Located Inside Module Housing in Black Box Next to Battery Compartment.
 *Switches are Set to DEFAULT Position:
 Auto Time Out = 10 seconds
 Shut Off Delay = 1 second
 Auto Flush = OFF

Remove (4) Screws and Back Cover to Access Switches.

***Available Water Flow Control Selections:**

(6) Auto Time Out Selections - 10 sec, 25 sec, 45 sec, 60 sec, 3 min, 20 min

(4) Shut Off Delay Selections - 1 sec, 2 sec, 4 sec, 10 sec

Auto Flush for 30 Seconds After Every 12 Inactive Hours - ON or OFF

Product Specifications:

Chrome Plated Brass Electronic Faucet: Single Hole Deck Spout w/ VR Aerator & Manual Bypass, AC/DC Control Module w/ Internal Flow Control Setting Switches, Temperature Control Mixing Valve, 18" Long Supply Stop Flexible Connector Hoses

Drawn KJG	Checked DMH	Approved JHB
Scale: NTS		Date: 09/27/12