

**REFRIGERATOR MANUFACTURER**  
**Turbo air**  
 more durable, convenient, beautiful

1250 Victoria St  
 Carson, CA 90746  
 Tel. 310-900-1000  
 Fax. 310-900-1077  
[www.turboairinc.com](http://www.turboairinc.com)

Project :	
Model # :	
Item # :	Qty :
Available W/H :	
Approval :	

# Half Solid Door Refrigerator

Reach-In Top Mounts  
**M3 Series**

**Model : M3R47-4**

## FEATURES / BENEFITS

- **DIGITAL TEMPERATURE CONTROL SYSTEM**  
 Provides precise and constant temperature. This level of precision allows food products to remain fresh over an extended period of time.
- **HIGH-TECH MONITOR**  
 The monitor digitally displays the present temperature. You can easily change the temperature by adjusting the thermostat.
- **HOT GAS CONDENSATE SYSTEM**  
 Through Turbo Air's creative innovation, the condensate system surfaces have been specially treated to resist corrosion. This not only increases efficiency without the risk of refrigerant leakage from corrosion, but also prevents the overflow of condensate water.
- **EFFICIENT REFRIGERATION SYSTEM**  
 M3's solid door refrigerators are designed with oversized and balanced (CFC Free R-134A) refrigeration systems. These include efficient evaporators and condensers for faster cooling and greater efficiency.
- **AUTOMATIC EVAPORATOR FAN MOTOR DELAYS**  
 Through stopping the evaporator fan when the refrigerator door opens, the circulation of hot, moist air into the refrigerator is prevented. This increases energy efficiency and lengthens the life of the compressor.
- **ADJUSTABLE, HEAVY DUTY, PE(POLYETHYLENE) COATED WIRE SHELVES**
- **STAINLESS STEEL CABINET CONSTRUCTION**  
 The Turbo Air M3 refrigerator model boasts a stainless steel exterior (galvanized steel top, bottom and back) and stainless steel interior with AL inside walls and door liners. It guarantees the utmost in cleanliness and long product life. Unlike other companies' products, the sharp corners and edges have been rounded to reduce the risk of injury. The M3 can add a touch of style to the most refined setting.
- **HIGH-DENSITY POLYURETHANE INSULATION**  
 The entire cabinet structure and solid doors are foamed-in-place using high density, CFC free polyurethane insulation.
- **ERGONOMICALLY DESIGNED DOORS**  
 Customers' fatigue fades away with easy grip handles and doors that open effortlessly. These features along with self-closing doors make this the ultimate choice in customer convenience.
- **MAGNETIC DOOR GASKETS**  
 Magnetic door gaskets are of one piece construction, removable without tools for ease of cleaning and replacement.
- **TOP MOUNT COMPRESSOR UNITS**  
 The refrigeration systems are designed to ensure that each part is properly sized and balanced to achieve the highest efficiency and performance.



**REFRIGERATOR HOLDS 33°F ~ 38°F  
 FOR THE BEST IN FOOD PRESERVATION**



Model	Swing Door	CU./FT.	#of Shelves	HP	AMPS	Crated Weight (lbs.)	L x D x H † (inches)
M3R47-4	4	47	6	1/3	9.2	401	51 3/4 x 30 3/4 x 78

# Half Solid Door Refrigerator

Reach-In Top Mounts  
**M3 Series**

## Model : M3R47-4

ELECTRICAL DATA	
Voltage	115/60/1
Plug Type	Ⓜ NEMA-5-15P
Full Load Amperes	9.2
Compressor HP	1/3
Feed Wires with Ground	3
Cord Length ft.	9
Refrigerant	R-134A
DIMENSIONAL DATA	
# of Doors	4
# of Racks Accepted	2
Net Capacity cu. ft.	47
Ext. Length Overall in.	51 <sup>3</sup> / <sub>4</sub> (1314mm)
Ext. Depth Overall in.*	30 <sup>3</sup> / <sub>4</sub> (781mm)
Ext. Height Overall in.†	78 (1981mm)
Int. Length Overall in.	47 <sup>3</sup> / <sub>4</sub> (1213mm)
Int. Depth Overall in.	24 <sup>5</sup> / <sub>8</sub> (625mm)
Int. Height Overall in.	60 <sup>5</sup> / <sub>8</sub> (1539mm)
Gross Weight lbs.	401
# of Shelves	6
Shelf Size (LxD) in.	23 <sup>1</sup> / <sub>2</sub> x23 <sup>1</sup> / <sub>8</sub>

Design and specifications subject to change without notice.

Actual shipping weight may differ due to extra packing materials for product protection.

\* Depth does not include 1-3/8" for rear condensate enclosure.

† Height does not include 5" for caster height.

■ **WARRANTY : 2 Year Parts and Labor Warranty**  
Additional 3 Year Warranty on Compressor

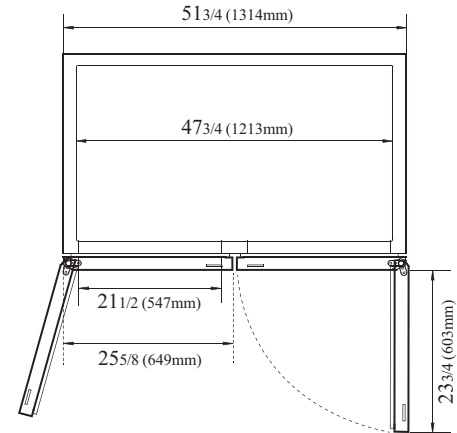
- INCANDESCENT INTERIOR LIGHTING
- DOOR LOCKS
- SELF-CONTAINED SYSTEM
- 4" SWIVEL CASTERS
- SOLID AND STURDY GRILLE DESIGN
- TRAY RACK AVAILABLE (OPTIONAL)

■ **OPTIONAL ACCESSORIES :**

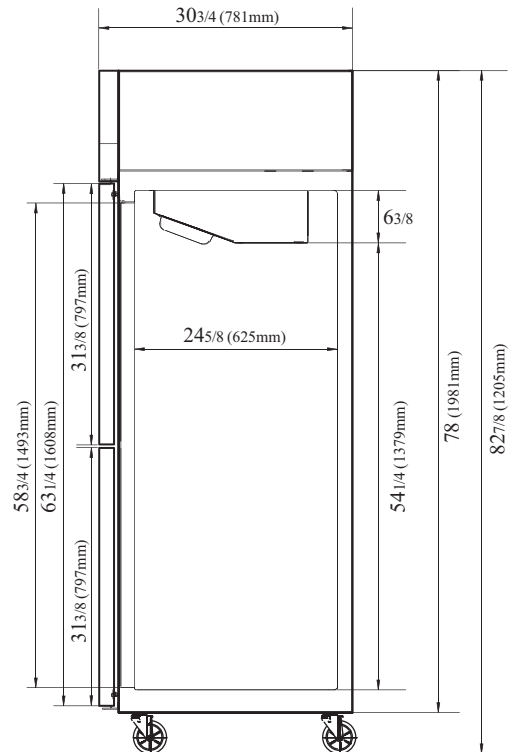
- 5" Diameter swivel casters
- 6" Standard legs
- Additional PE coated wire shelves
- Half door bun tray racks. Each holds up to seven 18"Lx26"D sheet pans (sold separately)
- Full door bun tray racks. Each holds up to fifteen 18"Lx26"D sheet pans (sold separately)

## PLAN VIEW

(unit : inch)



PLAN VIEW



SIDE VIEW

Ver.201304



ENERGY STAR®  
Qualified

- Turbo Air : 800-627-0032
- GK : 800-500-3519
- Warranty : 800-381-7770
- AC : 888-900-1002

