

**REFRIGERATOR MANUFACTURER**  
**Turbo air**  
 more durable, convenient, beautiful

1250 Victoria St  
 Carson, CA 90746  
 Tel. 310-900-1000  
 Fax. 310-900-1077  
[www.turboairinc.com](http://www.turboairinc.com)

Project :	
Model # :	
Item # :	Qty :
Available W/H :	
Approval :	

## Back Bars

Underbar Equipment  
 Back Bars

**Model : TBB-2SG/SB**



**TBB-2SG**



**TBB-2SB**

### FEATURES / BENEFITS

■ **EFFICIENT REFRIGERATION SYSTEM**

Turbo Air's refrigerators are designed with oversized and balanced R-134A (CFC Free) refrigeration systems. These include efficient evaporators and condensers for faster cooling and greater efficiency.

■ **FORCED AIR COOLING SYSTEM**

Fast cooling and balanced temperature throughout the cabinet.

■ **STAINLESS STEEL COUNTERTOP AND INTERIOR**

The exterior of cabinet is constructed with heavy gauge reinforced stainless steel countertop and wear-resistant black vinyl coated galvanized steel. Interior is stainless steel floor and door liners with white painted galvanized steel inside walls. Turbo Air Back Bar model guarantees utmost in cleanliness and long product life. It also can add a touch of style to the most refined setting.

■ **FLUORESCENT INTERIOR LIGHTING FOR ALL MODELS**

Bright fluorescent interior lighting is specifically designed for perfect visibility throughout the interior.

■ **TRIPLE GLASS (SG MODELS)**

Triple pane thermal glass provides extra ability to maintain cool temperatures.

■ **HIGH-DENSITY POLYURETHANE INSULATION**

The entire cabinet structure is foamed-in-place using high density, CFC free polyurethane insulation.

■ **ADJUSTABLE, HEAVY DUTY, PE (POLYETHYLENE) COATED WIRE SHELVES**

■ **ERGONOMICALLY DESIGNED DOORS**

Customers' fatigue fades away with easy grip handles and doors that open effortlessly. These features along with self-closing doors make this the ultimate choice in customer convenience.

■ **SIDE MOUNT COMPRESSOR UNIT**

Through positioning the compressor to the side, the refrigerator can be serviced without being moved. By innovatively creating a **front breathing** feature, this model can provide high efficiency in narrow spaces.

■ **REFRIGERATOR HOLDS 33°F ~ 38°F FOR THE BEST IN BEVERAGE PRESERVATION**

‡ ENERGY STAR rated models



Model	Swing Door	CU./FT.	1/2 Barrels	#of Shelves	HP	AMPS	Crated Weight (lbs.)	L x D* x H† (inches)
<b>TBB-2SG</b>	2	19	2	6	1/3	7	344	58 3/4 x 27 1/4 x 37 1/8
<b>TBB-2SB‡</b>	2	19	2	6	1/4	7	332	58 3/4 x 27 1/4 x 37 1/8

## Model : TBB-2SG/2SB

ELECTRICAL DATA	
Voltage	115/60/1
Plug Type	Ⓜ NEMA-5-15P
Full Load Amperes	7
Compressor HP	1/3(SG) / 1/4(SB)
Refrigerant	R-134A
Cord Length (ft.)	9
Lamp (W)	30
DIMENSIONAL DATA	
1/2 Barrels	2
Cubic Feet	19
Ext. Length Overall in.	58 <sup>3</sup> / <sub>4</sub> (1492mm)
Ext. Depth Overall in.*	27 <sup>1</sup> / <sub>4</sub> (692mm)
Ext. Height Overall in.†	37 <sup>1</sup> / <sub>8</sub> (945mm)
Gross Weight lbs.	344(SG) / 332(SB)
Net Weight lbs.	276(SG) / 286(SB)
# of Swing Door	2
# of Shelves	6
Shelf size (LxD) in.	(R)20 x 19 <sup>3</sup> / <sub>8</sub> , (L)24 <sup>3</sup> / <sub>8</sub> x 19 <sup>3</sup> / <sub>8</sub>

Design and specifications subject to change without notice.

Actual shipping weight may differ due to extra packing materials for product protection.

\* Depth does not include 1" for door handle (SG Models). Depth does not include 2" for rear spacers.

† Height does not include 5" for caster height.

- **WARRANTY : 2 Year Parts and Labor Warranty**  
Additional 3 Year Warranty on Compressor

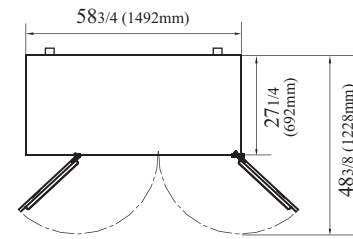
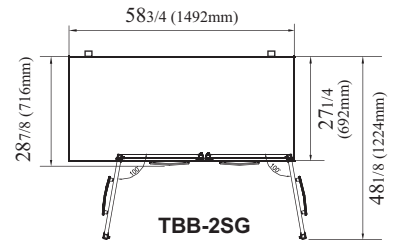
- SELF-CONTAINED SYSTEM
- DOOR LOCKS STANDARD
- 4" SWIVEL CASTERS STANDARD

### OPTIONAL ACCESSORIES :

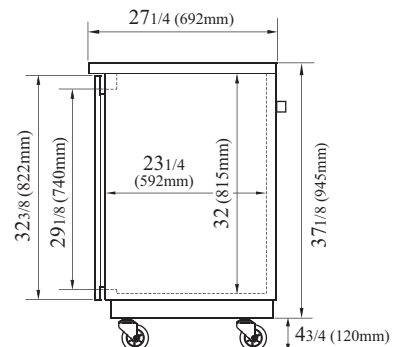
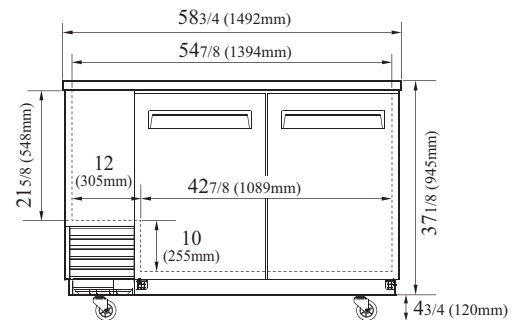
- 2.5" Diameter casters
- 5" Diameter casters
- 6" ABS plastic legs
- Additional PE coated wire shelves

## PLAN VIEW

(unit : inch)



## PLAN VIEW



Ver.201301



- Turbo Air : 800-627-0032
- GK : 800-500-3519
- Warranty : 800-381-7770
- AC : 888-900-1002