

REFRIGERATOR MANUFACTURER
Turbo air
 more durable, convenient, beautiful

1250 Victoria St
 Carson, CA 90746
 Tel. 310-900-1000
 Fax. 310-900-1077
www.turboairinc.com

Project :	
Model # :	
Item # :	Qty :
Available W/H :	
Approval :	

One Compartment Sinks (One Drain Board)

HIGH QUALITY 304 STAINLESS STEEL

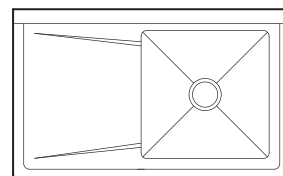
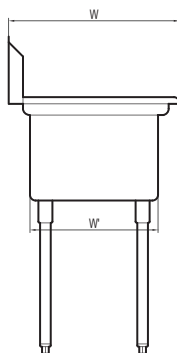
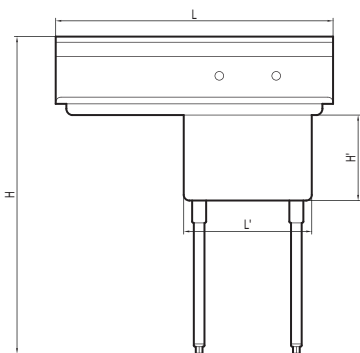
**Model : TSA-1-12-L1/ TSA-1-14-L2
 TSA-1-L1/ TSB-1-L2**



TSA-1-L1

* Faucet sold separately

- ENTIRE ASSEMBLY IS FUSED, SHIELDED AND POLISHED PROVIDING A ONE-PIECE SEAMLESS SINK UNIT
- WELDED AREAS ARE HIGH-SPEED BELT BLENDED TO MATCH ADJACENT SURFACES WITH THE CONTINUITY OF A SATIN FINISH
- ALL SINK COMPARTMENTS ARE COVERED ON A FULL 5/8" RADIUS AND CONSTRUCTED USING STATE OF THE ART SEAMLESS WELDING TECHNIQUES
- DIE-STAMPED CREASED DRAIN BOARDS FOR POSITIVE DRAINAGE
- SWIRL AWAY BOWL DRAINAGE
- GALVANIZED LEGS AND GUSSETS
- ADJUSTABLE ABS BULLET FEET
- STAINLESS STEEL LEGS AVAILABLE (OPTIONAL)



(unit : inch)

Model	Ga.	Bowl Size (L' x W' x H')	Length	Width	Height	# of Faucet Accepted	Net Weight* (lbs.)
TSA-1-12-L1	18	18x18x12	39	24	44 1/2	1	39
TSA-1-14-L2	18	18x18x14	45	24	44 1/2	1	43
TSA-1-L1	18	18x18x11	39	24	44 1/2	1	39
TSB-1-L2	16	24x24x14	51	30	44 1/2	1	70