



Outperform every day.™

Project:

Item Number:

Quantity:

## CAYENNE® 15LB MEDIUM-DUTY ELECTRIC FRYERS



40710

Includes night cover(s)

Cayenne® Medium-Duty Electric Fryers

### DESCRIPTION

Vollrath Cayenne® medium-duty fryers are designed to create a delicious variety of crisp fried food with minimal fuss. Delight your customers with french fries, chicken, seafood, and more.

### MODELS

40709 FFA8115 Countertop Fryer with Drain, 15 lb.

40710 FFA8130 Dual Countertop Fryer with Drain, 30 lb.

### FEATURES

- Ideal for restaurants, canteens, and fast food outlets
- Dual unit provides increased volume and separation of food types to prevent flavor transfer from oil
- 3000 watt elements provide quick heat-up and temperature recovery time between loads
- Fully-welded oil tank with safety interlocked drainage valve for easy drainage and cleaning
- Minimal footprint to accommodate tight counter spaces
- Thermostatically controlled to 375° F (190° C)
- Automatic thermal overload shutoff at 390° F (199° C) for safety
- Internal micro-switch disconnects power when element box is removed
- Nickel-plated steel wire basket with cool-touch handle
- "Power On" indicator light
- Designed with cold zone to help keep oil fresh longer
- Suitable for frozen product with excellent recovery time
- Non-skid rubber feet prevent slipping
- Includes night cover(s)
- Ships with two wire baskets per unit
- Dual unit features removable element box assemblies for easy cleaning and versatility. Each box is wired separately and with its own 5 ft. (1.5 m) cord and plug.

**WARRANTY:** All models shown come with Vollrath's standard warranty against defects in materials and workmanship. For full warranty details, please refer to the Vollrath Equipment and Smallwares Catalog.

### Agency Listings



Due to continued product improvement, please consult [www.vollrath.com](http://www.vollrath.com) for current product specifications.

Approvals	Date



Outperform every day.™  
[www.vollrath.com](http://www.vollrath.com)

The Vollrath Company, L.L.C.  
1236 North 18th Street  
Sheboygan, WI 53081-3201 U.S.A.  
Customer Service: 800.628.0830  
Canada Customer Service: 800.695.8560  
Main Fax: 800.752.5620 or 920.459.6573

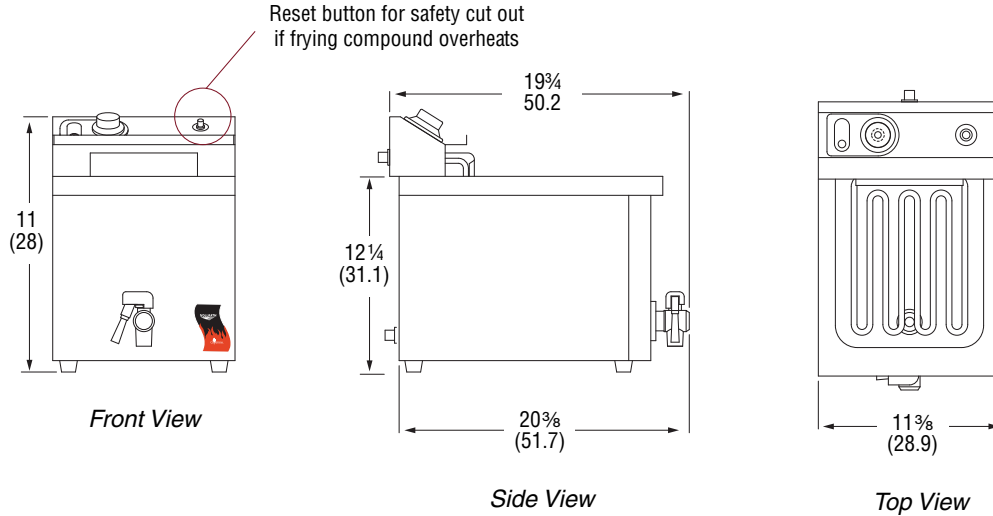
Technical Services: 800.628.0832  
Technical Services Fax: 920.459.5462

# CAYENNE® 15LB MEDIUM-DUTY ELECTRIC FRYERS

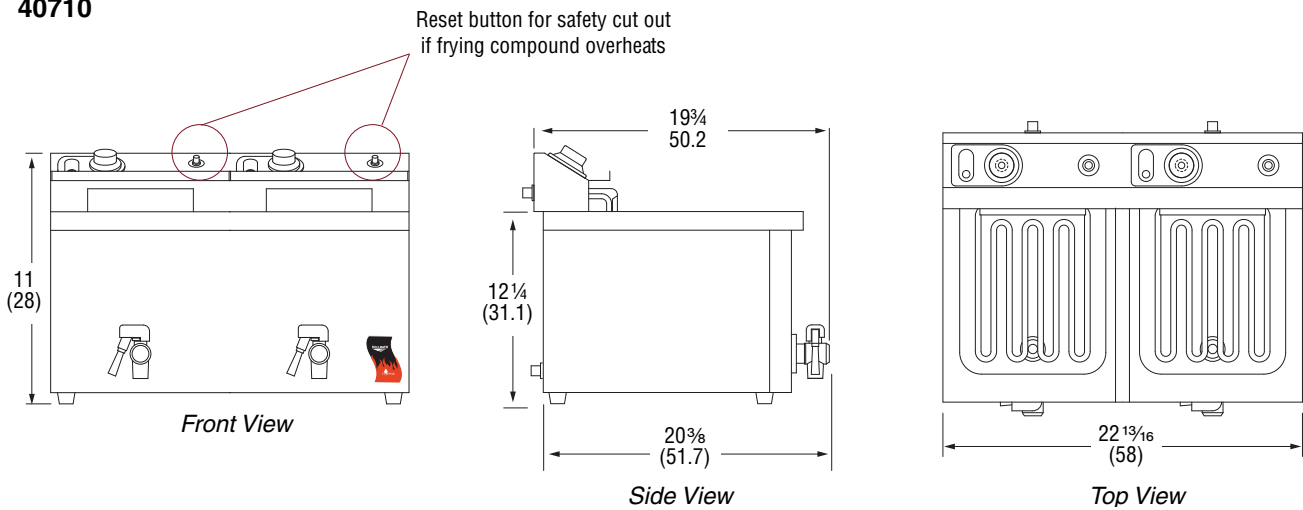
**MODELS** 40709 FFA8115 Countertop Fryer with Drain, 15 lb.  
 40710 FFA8130 Dual Countertop Fryer with Drain, 30 lb.

## DIMENSIONS Shown in inches (cm).

### 40709



### 40710



## SPECIFICATIONS

Item	Number of Wells	Watts	Volts	Amps	Ship Weight Lb (Kg)	Plug
40709	1	3000	220	13.6	25 (11.3)	6-15P
40710	2	3000 per well	220	13.6 per well	46 (20.9)	6-15P*

\*Dual unit requires two receptacles.

### Receptacle

208-240V



NEMA  
6-15R



Outperform every day.™

www.vollrath.com

The Vollrath Company, L.L.C.  
 1236 North 18th Street  
 Sheboygan, WI 53081-3201 U.S.A.  
 Customer Service: 800.628.0830  
 Canada Customer Service: 800.695.8560  
 Main Fax: 800.752.5620 or 920.459.6573

Technical Services: 800.628.0832  
 Technical Services Fax: 920.459.5462