



Project:

Item Number:

Quantity:

ELECTRIC MEAT GRINDERS



40743 Meat Grinder No. 12

MODELS

40743 Meat Grinder No. 12

40744 Meat Grinder No. 22

FEATURES

- Energy efficient motor and precision gear drive
- Excellent fit and finish with no sharp corners or seams
- Forward and reverse switch
- Reliable under the most demanding conditions
- Attractive, compact design suitable for any open kitchen or supermarket
- Supplied with 1/8 and 5/16 grinder plates
- Perfect for butchers, supermarkets, Asian restaurants, delis, and pizza shops
- Convenient top-mounted carrying handle
- All front pieces are dishwasher safe
- No. 12 unit features 1 HP motor to grind 264 lb of meat per hour
- No. 22 unit features 1.5 HP motor to grind 528 lb of meat per hour

DESCRIPTION

Vollrath's meat grinders are noted for their exceptional reliability and attractive, compact design. The grinder body, head and tray are constructed of stainless steel.

Agency Listings



Due to continued product improvement, please consult www.vollrathco.com for current product specifications.

Approvals
Date:



Setting the Standard™

www.vollrathco.com

The Vollrath Company, L.L.C.
1236 North 18th Street
Sheboygan, WI 53081-3201 U.S.A.
Customer Service: 800.628.0830
Canada Customer Service: 800.695.8560
Main Fax: 800.752.5620 or 920.459.6573

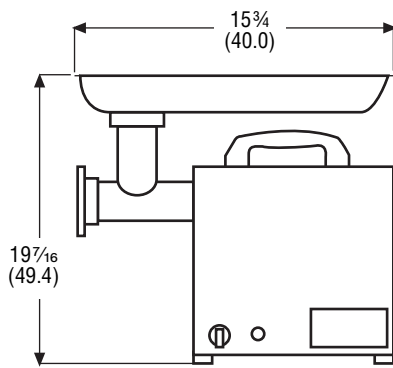
Technical Services: 800.628.0832
Technical Services Fax: 920.459.6573

ELECTRIC MEAT GRINDERS

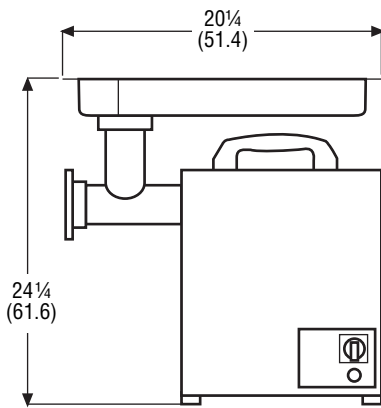
MODELS	40743	Meat Grinder No. 12
	40744	Meat Grinder No. 22

DIMENSIONS

Dimensions shown in inches (cm).



40743 Side and Front Views

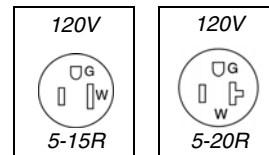


40744 Side and Front Views

SPECIFICATIONS

Item	Output	HP	Voltage	Amps	Plug
40743	264 (lbs/hr)	1	110	8	5-15P
40744	528 (lbs/hr)	1.5	110	16	5-20P

Receptacles



www.vollrathco.com

The Vollrath Company, L.L.C.
 1236 North 18th Street
 Sheboygan, WI 53081-3201 U.S.A.
 Customer Service: 800.628.0830
 Canada Customer Service: 800.695.8560
 Main Fax: 800.752.5620 or 920.459.6573

Technical Services: 800.628.0832
 Technical Services Fax: 920.459.6573