



Project:

Item Number:

Quantity:

**CAYENNE® SANDWICH PRESSES – FLAT PLATE & PANINI STYLES**



40791



40789

*Cayenne® Sandwich Presses*

**DESCRIPTION**

Vollrath Cayenne® Sandwich Presses are available with flat plates or panini style plates.

Flat plate models are ideal for Cuban and Italian sandwiches, Texas Toast, and more. They can also be used for cooking meats and vegetables.

Ribbed plate models have top and bottom top ribs for a more sophisticated sandwich presentation. They can also be used to grill chicken, burgers, fish, vegetables, and more.

**MODELS**

- 40791 Flat Plate Sandwich Press – Natural Finish
- 40792 Flat Plate Sandwich Press – Non-Stick Finish
- 40793 Flat Plate Sandwich Press – Super-size Natural Finish
- 40789 Panini Style Sandwich Press – Natural Finish
- 40790 Panini Style Sandwich Press – Non-Stick Finish

**FEATURES**

- Durable cast aluminum plates for fast heat-up and recovery times
- Triple-layered plate design with inset element channels for greater heating efficiency
- Adjustable handle allows user to set press height for even, consistent cooking – order after order
- Thermostatically controlled for consistent results
- Uncoated aluminum sandwich presses must be seasoned before use
- 40792 features non-stick coating for easier cleaning
- 40793 features large plate size for high-volume output
- 40790 features non-stick coating for easier cleaning

**Agency Listings**



Due to continued product improvement, please consult [www.vollrathco.com](http://www.vollrathco.com) for current product specifications.

**Approvals**

<b>Date:</b>
--------------



Setting the Standard™

[www.vollrathco.com](http://www.vollrathco.com)

The Vollrath Company, L.L.C.  
 1236 North 18th Street  
 Sheboygan, WI 53081-3201 U.S.A.  
 Customer Service: 800.628.0830  
 Canada Customer Service: 800.695.8560  
 Main Fax: 800.752.5620 or 920.459.6573

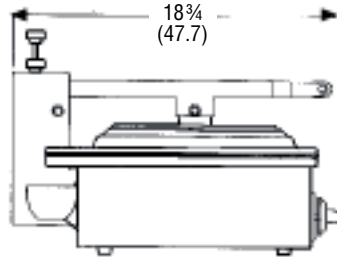
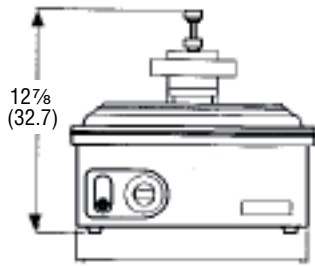
Technical Services: 800.628.0832  
 Technical Services Fax: 920.459.6573

## CAYENNE® SANDWICH PRESSES – FLAT PLATE & PANINI STYLES

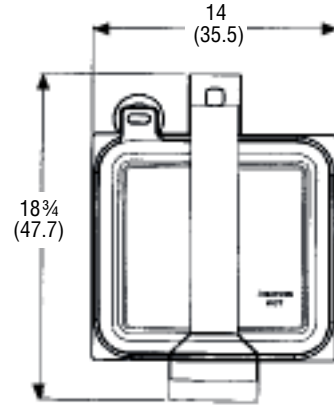
**MODELS** 40791 Flat Plate Sandwich Press – Natural Finish    40789 Panini Style Sandwich Press – Natural Finish  
 40792 Flat Plate Sandwich Press – Non-Stick Finish    40790 Panini Style Sandwich Press – Non-Stick Finish  
 40793 Flat Plate Sandwich Press– Super-Size Natural Finish

### DIMENSIONS

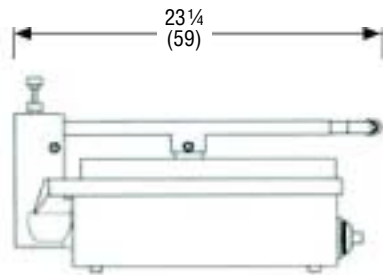
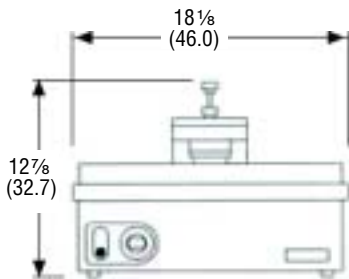
□ Dimensions shown in inches (cm).



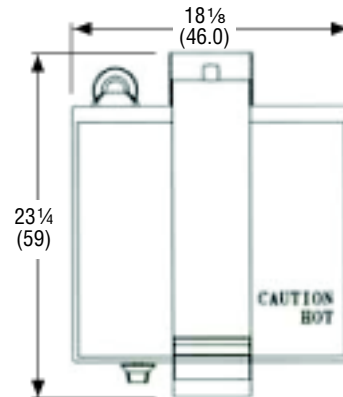
40791, 40792, 40789 & 40790  
Front and Side Views



40791, 40792, 40789 & 40790  
Top View



40793 Front and Side Views



40793 Top View

### SPECIFICATIONS

Item	Cooking Surface		Watts	Volts	Amps	Plug
	Width	Length				
40791	13 <sup>5</sup> / <sub>16</sub> (33.8)	12 <sup>3</sup> / <sub>16</sub> (31)	1800	120	15	5-15P
40792	13 <sup>5</sup> / <sub>16</sub> (33.8)	12 <sup>3</sup> / <sub>16</sub> (31)	1800	120	15	5-15P
40793	17 <sup>7</sup> / <sub>16</sub> (44.3)	15 <sup>5</sup> / <sub>8</sub> (39.7)	1800	120	15	5-15P
40789	13 <sup>5</sup> / <sub>16</sub> (33.8)	12 <sup>3</sup> / <sub>16</sub> (31)	1800	120	15	5-15P
40790	13 <sup>5</sup> / <sub>16</sub> (33.8)	12 <sup>3</sup> / <sub>16</sub> (31)	1800	120	15	5-15P

#### Receptacles

