

Project: \_\_\_\_\_ Location: \_\_\_\_\_ Item #: \_\_\_\_\_ Quantity: \_\_\_\_\_

### Standard Features

- Natural Gas or Propane
- Double wall kettle interior.
- Bottom kettle is hemispherical designed for superior heat circulation.
- Supported by a 1 5/8" diameter stainless steel pipe legs.
- Adjustable four hole feet for securing to the floor.
- Power Switch, thermostat, pilot switch, low water light, vacuum/pressure gauge, safety relief valve and low water shut off.
- 2" Tangent draw off valve.

### Optional Features

- Type 316 stainless steel liner for high acid cooking (ACGL-60E).
- 3" (76 mm) draw-off valve (ACTVT-3).
- 3" (76 mm) dairy valve (ACDDO-3T).
- Spring assist hinged stainless steel cover (ACSA-) (ACGL-20E, 30E & 40E).
- Etched gallon markings (ACGM-)
- Etched litre markings (ACLM-).
- Correctional package

### Electrical Options

- 115 VAC, 1 Phase, 50/60 Hz.
- 220 VAC, 1 Phase, 50/60 Hz.

### Short Spec

Kettle shall be AccuTemp's ACGL-xxE series self-containing, gas stationary kettle. A double wall kettle interior shall form a steam jacket around the lower 2/3 of the kettle. The jacket enclosure shall contain purified water which is factory sealed. The bottom of the kettle shall be of hemispherical design for superior heat circulation.

Construction shall be all welded #4 finish stainless steel, the 60 gallon units shall be type 304 stainless steel. The kettle interior on models 20 through 40 gallon shall be standard stainless steel type 316 for high acid content cooking. The controls are integrally mounted and shall include a power switch, thermostat, pilot light, low water light, vacuum/pressure gauge, safety relief valve, and low water shut off. The kettle shall operate in a temperature range of 165°F to 285°F (74°C to 140°C) at a maximum pressure of 50 psi (345 kPa).

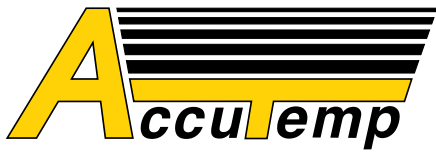
### Other Approvals



ACGL-xxE Model

### Accessories

- Triple basket assembly (ACTBA-).
- Perforated strainer for draw off (ACTPS-).
- Solid disc for draw off (ACTSS-).
- Contour measuring strip (ACCMS-).
- Strainer hook (ACSH-)
- Single pantry faucet with swing spout (ACSF-12).
- Double pantry faucet with swing spout (ACDF-12).
- Draw-off valve hose kit (ACDVHK-2).
- Calibrated thermostat dial, "F"
- Calibrated thermostat dial, "C"
- Faucet Bracket.
- Castors.



# GAS STATIONARY STEAM KETTLE

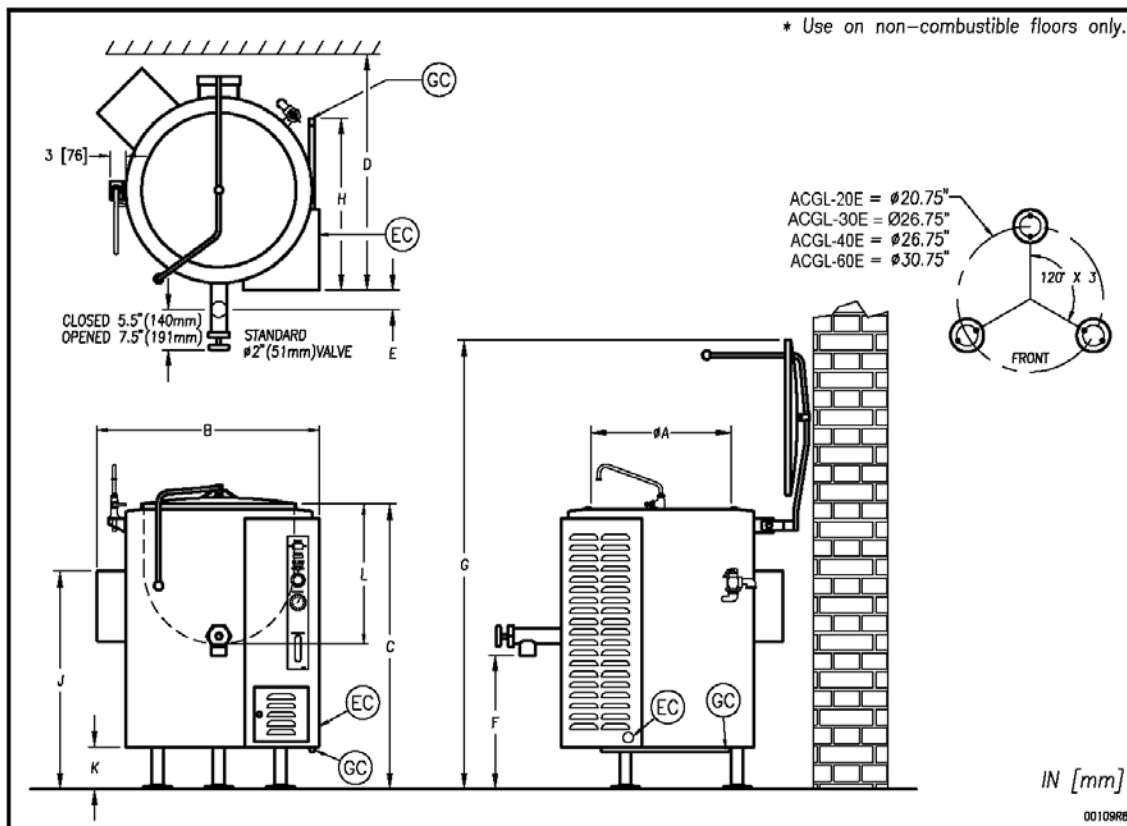
20, 30, 40 OR 60 GALLON CAPACITY—GAS FIRED,  
ELECTRONIC IGNITION

Gas Kettle Model "ACGL-xxE" Specifications					
Model #	BTU/HR.	KW/HR	SUPPLY PIPE PRESSURE (W.C.)		MIN CLEARANCE*
ACGL-20E/30E/40E	100,000	29.3	Natural 6" -14" (152-356mm)	Propane 11" -14" (279-356mm)	SIDES 6 [152]
ACGL-60E	130,000	38.1			BACK 2 [51]

Dimensions														
MODEL	SHIPPING WEIGHT	CAPACITY	UNITS	A	B	C	D	E	F	G	H	J	K	L
ACGL-20E	440 [200 kgs]	20 gallons 76 litres	inches mm	20 508	31.25 794	40 1016	32 813	3 76	19 483	64 1626	24 610	30.5 775	6.0 152	18.25 464
ACGL-30E	575 lbs (261 kgs)	30 gallons 114 litres	inches mm	26 660	35.5 905	39.75 1010	38.5 978	2 51	19 483	67.75 1721	29 737	35 889	6.0 152	17.75 451
ACGL-40E	600 lbs (272 kgs)	40 gallons 152 litres	inches mm	26 660	35.5 902	44 1118	38.5 978	2 51	19 483	72 1829	29 737	35 889	6.0 152	22 559
ACGL-60E	720 lbs (327 kgs)	60 gallons 227 litres	inches mm	30 762	40 1016	49.5 1257	42 1016	2.5 63	21.5 546	85 2159	35 889	39 991	8.0 203	24.62 625

**Notes:**

1. Supply gas through 3/4" pipe. A gas shut-off valve must be installed in supply piping convenient and adjacent to appliance.
2. Unless otherwise specified, Field Wire Electrical Connection to be 120V, 60Hz single phase with grounding wire. Unit supplied with 6' cord and 3-prong plug. Max AMPS: 4.0



MM6229-1105