



STAINLESS STEEL

ECONOMY SPACE-SAVER HAND SINKS

7-PS-23-EC & 7-PS-23-EC-SP



7-PS-23-EC

FEATURES:

Deep Drawn sink bowl design.

Sink bowl is 9" x 9" x 5".

Sink bowl has a large liberal radii with a minimum dimension of 2" and are rectangular in design for increased capacity.

Stainless steel 1-1/2" basket drain. 1-1/2" IPS.

4" O.C. economy splash mounted extended faucet, chrome plated & furnished with aerator.

7-PS-23-EC-SP Includes 7 3/4" High Welded Side Splashes

NOTE: This faucet is AB1953 Lead Free Compliant.



7-PS-23-EC-SP



Item #: _____ **Qty #:** _____

Model #: _____

Project #: _____

CONSTRUCTION:

All TIG welded.

Welded areas blended to match adjacent surfaces and to a satin finish.

Die formed Countertop Edge with a No-Drip offset.

MATERIAL:

Heavy gauge type 304 series stainless steel.

Wall mounting bracket is Galvanized and of offset design.

All fittings are brass / chrome plated unless otherwise indicated.

MECHANICAL:

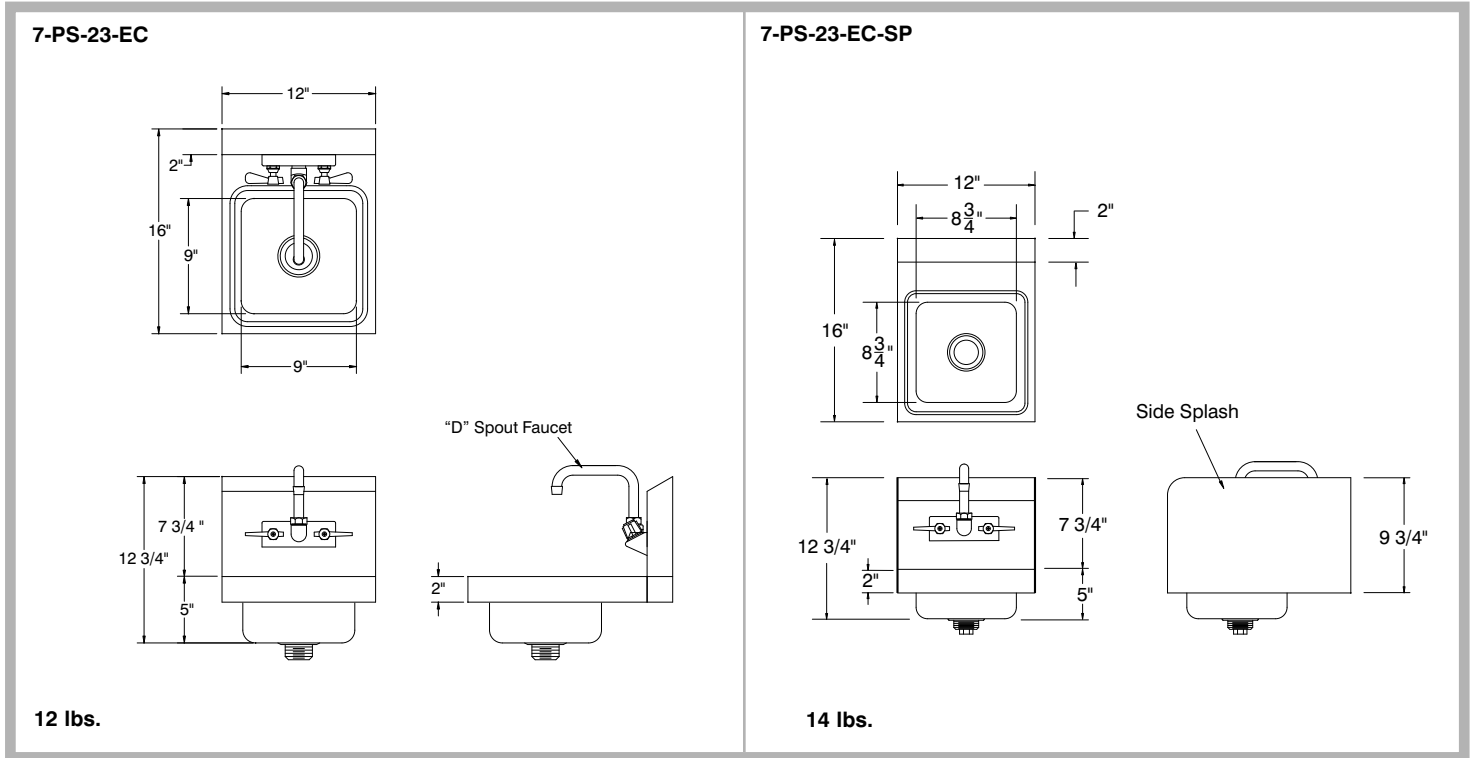
Faucet supply is 1/2" IPS male thread hot and cold.

DETAILS and SPECIFICATIONS

TOL Overall: ± .500" Interior: ± .250"

FITTINGS SUPPLIED AS SHOWN

ALL DIMENSIONS ARE TYPICAL



<p>www.advancetabco.com</p>	<p>Customer Service Available To Assist You 1-800-645-3166 8:30 am - 8:00 pm E.S.T.</p> <p>Email Orders To: customer@advancetabco.com. For Smart Fabrication™ Quotes, Email To: smartfab@advancetabco.com or Fax To: 631-586-2933</p>			
	<p>NEW YORK</p> <p>Fax: (631) 242-6900</p>	<p>GEORGIA</p> <p>Fax: (770) 775-5625</p>	<p>TEXAS</p> <p>Fax: (972) 932-4795</p>	<p>NEVADA</p> <p>Fax: (775) 972-1578</p>