



STAINLESS STEEL
HAND SINKS
PANEL VALVE



Item #: _____ **Qty #:** _____
Model #: _____
Project #: _____



7-PS-44

Keyhole Bracket for easier installation and greater stability.



FEATURES:

- One piece **Deep Drawn** sink bowl design.
- Sink bowl is 10" x 14" x 5" deep.
- Stainless steel Apron bolts to sink. Apron conceals plumbing on all three sides.
- Faucet activated by push of front panel.
- Hot water adjustment valve accessed by raising front of panel.
- All sink bowls have a large liberal radii with a minimum dimension of 2" and are rectangular in design for increased capacity.
- "Hands Free" splash mounted gooseneck faucet furnished with aerator.
- Keyhole wall mount bracket.
- Stainless steel basket drain 1-1/2" IPS.

CONSTRUCTION:

- All TIG welded.
- Welded areas blended to match adjacent surfaces and to a satin finish.
- Die formed Countertop Edge with a 3/8" No-Drip offset.
- One sheet of stainless steel - No Seams.

MATERIAL:

- Heavy gauge type 304 series stainless steel.
- Wall mounting bracket is galvanized steel and of offset design.
- All fittings are brass / chrome plated unless otherwise indicated.

MECHANICAL:

- Faucet supply is 1/2" IPS male thread hot and cold.
- Faucet is barrel type and is activated by pushing the front of panel.
- (Contractor on site must connect faucet to knee operated valves.)

Standard Faucet conforms to NSF 61 Standard 9. An optional faucet upgrade is required for compliance to AB 1953 Standards.

For Replacement Faucets & Upgrades, Drains & Accessories visit our website at www.advancetabco.com



Customer Service Available To Assist You 1-800-645-3166 8:30 am - 8:00 pm E.S.T.

Email Orders To: customer@advancetabco.com. For Smart Fabrication™ Quotes, Email To: smartfab@advancetabco.com or Fax To: 631-586-2933

NEW YORK
Fax: (631) 242-6900

GEORGIA
Fax: (770) 775-5625

TEXAS
Fax: (972) 932-4795

NEVADA
Fax: (775) 972-1578

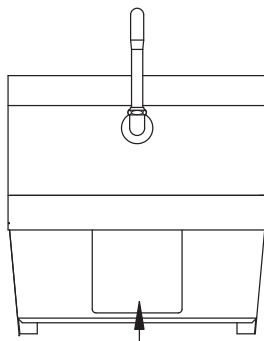
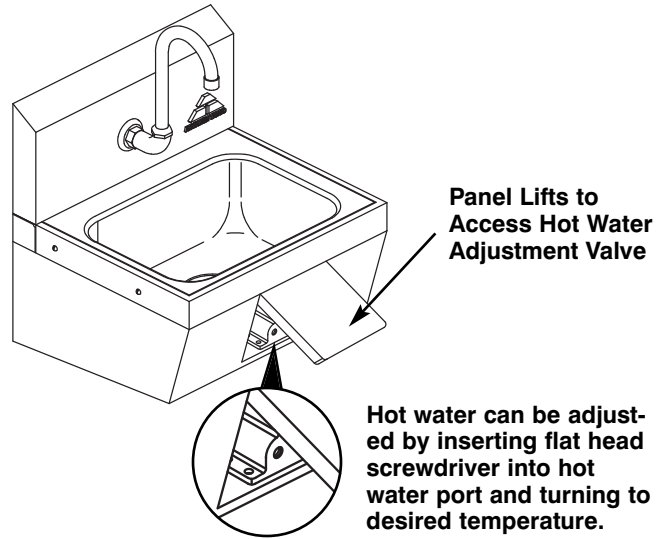
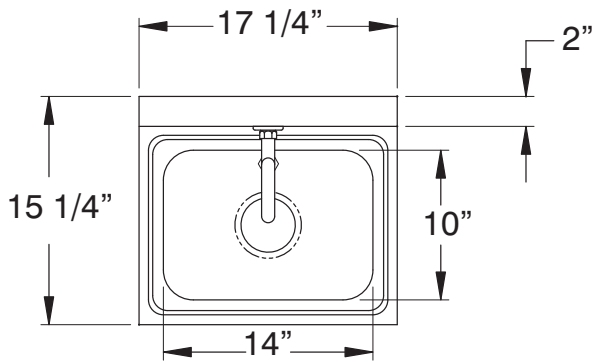
DIMENSIONS and SPECIFICATIONS

TOL Overall: ± .500" Interior: ± .250"

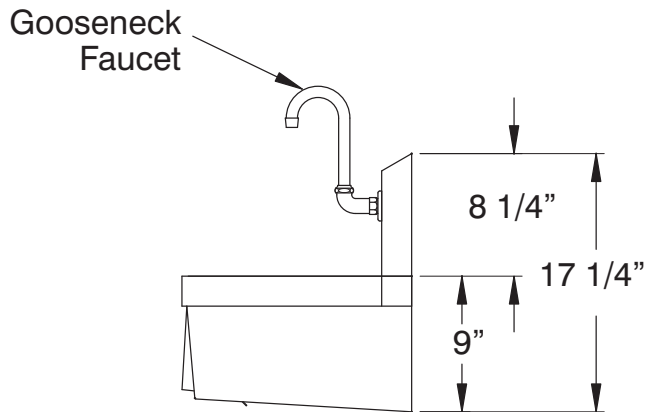
FITTINGS SUPPLIED AS SHOWN

ALL DIMENSIONS ARE TYPICAL

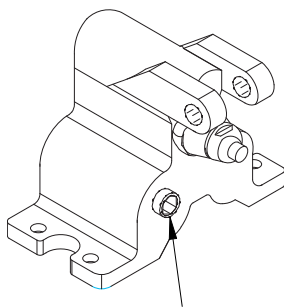
7-PS-44



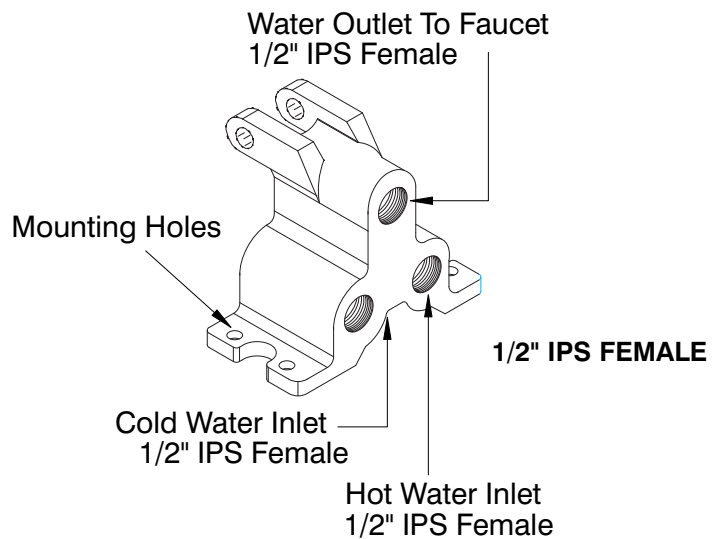
Plunger Panel



VALVE DETAIL



Hot Water Control Valve



ADVANCE TABCO is constantly engaged in a program of improving our products. Therefore, we reserve the right to change specifications without prior notice.