



STAINLESS STEEL
HAND SINKS
KNEE VALVE



Item #: _____ **Qty #:** _____
Model #: _____
Project #: _____



7-PS-62

SPACE SAVER



7-PS-63

See page A-7 for more
 Space Saver Units



7-PS-30

Keyhole Bracket for
 easier installation
 and greater stability.



7-PS-82

FEATURES:

One piece **Deep Drawn** sink bowl design.

7-PS-30 Sink bowl is 16" x 14" x 6".

7-PS-62 & 7-PS-82 Sink bowl is 10" x 14" x 5".

7-PS-63 Sink bowl is 9" x 9" x 5".

Keyhole wall mount bracket.

Stainless steel basket drain 1-1/2" IPS.

Knee valve operated faucet provides true hands-free operation.

All sink bowls have a large liberal radii with a minimum dimension of 2" and are rectangular in design for increased capacity.

Apron conceals plumbing on all three sides.

"Hands Free" splash mounted gooseneck faucet furnished with aerator.

Specific Features:

7-PS-82 has Towel Dispenser with hinged towel box. Unit uses standard C-fold towels. Liquid soap dispenser also included.

7-PS-63 "Hands Free" splash mounted 6" "D" Spout faucet furnished with aerator.

CONSTRUCTION:

All TIG welded.

Welded areas blended to match adjacent surfaces and to a satin finish.

Die formed Countertop Edge with a 3/8" No-Drip offset.

One sheet of stainless steel - No Seams.

MATERIAL:

Heavy gauge type 304 series stainless steel.

Wall mounting bracket is galvanized steel and of offset design.

All fittings are brass / chrome plated unless otherwise indicated.

MECHANICAL:

Faucet supply is 1/2" IPS male thread hot and cold.

Knee Valve is barrel type and is activated by pedal.

(Contractor on site must connect faucet to knee operated valves.)

**Standard Faucet conforms to NSF 61 Standard 9.
 Faucets Are AB1953 Lead Free Compliant.**

For Replacement Faucets & Upgrades, Drains & Accessories
 visit our website at www.advancetabco.com



Customer Service Available To Assist You 1-800-645-3166 8:30 am - 8:00 pm E.S.T.

Email Orders To: customer@advancetabco.com. For Smart Fabrication™ Quotes, Email To: smartfab@advancetabco.com or Fax To: 631-586-2933

NEW YORK
 Fax: (631) 242-6900

GEORGIA
 Fax: (770) 775-5625

TEXAS
 Fax: (972) 932-4795

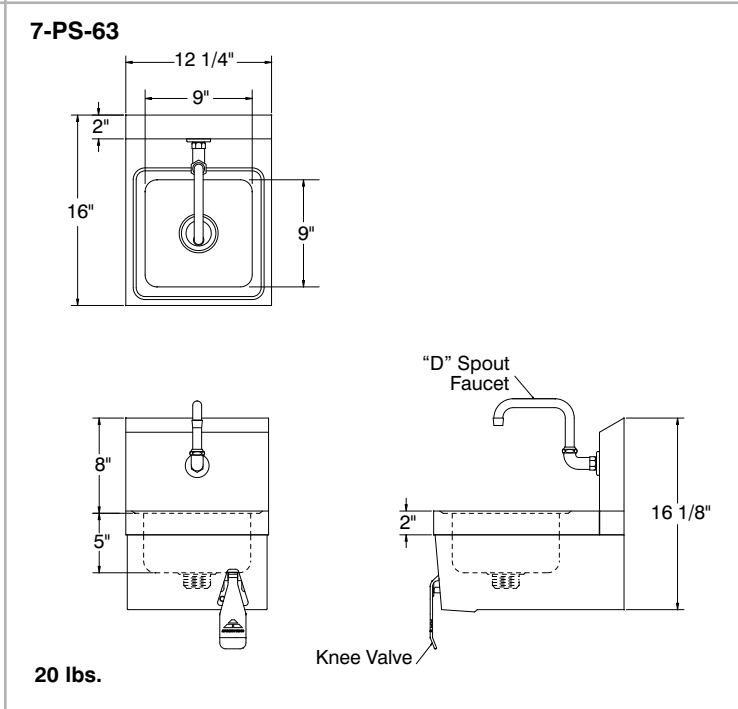
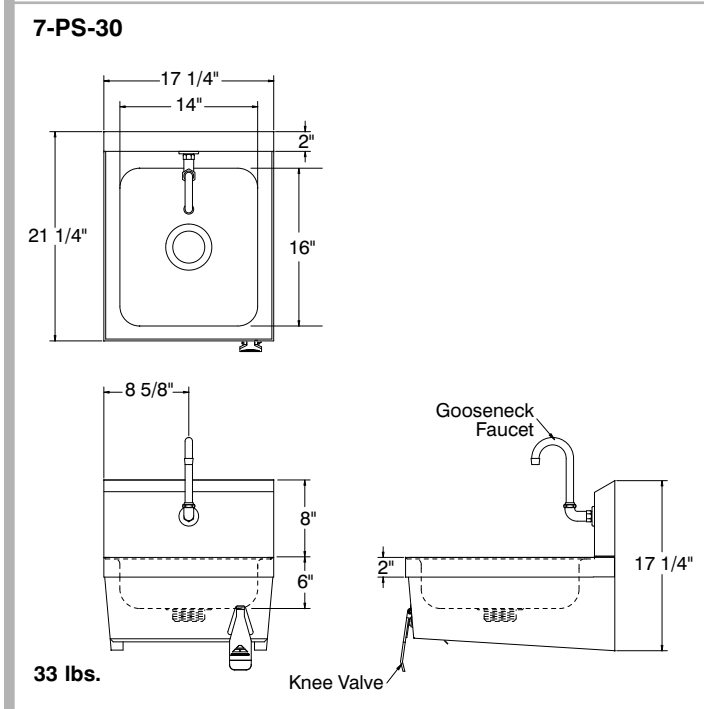
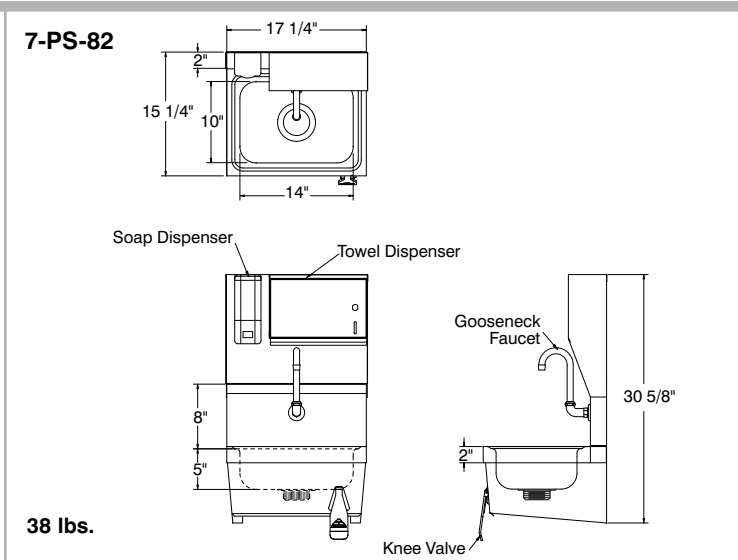
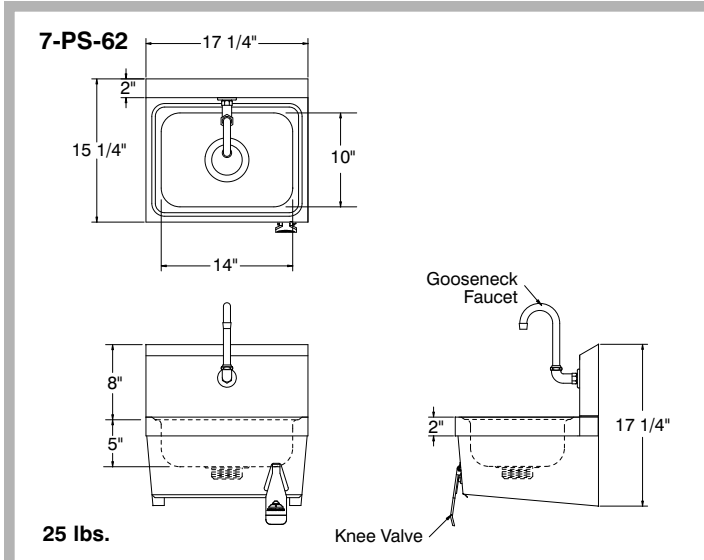
NEVADA
 Fax: (775) 972-1578

DIMENSIONS and SPECIFICATIONS

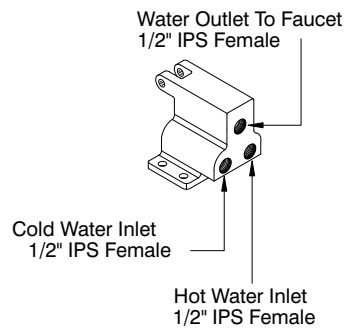
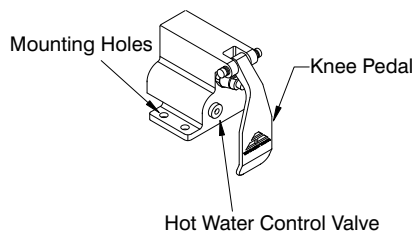
TOL Overall: ± .500" Interior: ± .250"

FITTINGS SUPPLIED AS SHOWN

ALL DIMENSIONS ARE TYPICAL



KNEE VALVE DETAIL



1/2" IPS FEMALE

