



STAINLESS STEEL  
**HAND SINKS**   
**7-PS-EC & 7-PS-70-EC**



7-PS-EC



7-PS-70-EC

**FEATURES:**

**Deep Drawn** sink bowl design.

Sink bowl is 10" x 14" x 5".

Sink bowl has a large liberal radii with a minimum dimension of 2" and are rectangular in design for increased capacity.

Stainless steel 1-1/2" basket drain. 1-1/2" IPS.

**7-PS-EC** - 4" O.C. economy splash mounted gooseneck faucet, chrome plated & furnished with aerator.

**NOTE:** This faucet does NOT meet Lead Free compliance.

**7-PS-70-EC** - Faucet not included.

**Item #:** \_\_\_\_\_ **Qty #:** \_\_\_\_\_

**Model #:** \_\_\_\_\_

**Project #:** \_\_\_\_\_

**CONSTRUCTION:**

All TIG welded.

Welded areas blended to match adjacent surfaces and to a satin finish.

Die formed Countertop Edge with a No-Drip offset.

**MATERIAL:**

Heavy gauge type 304 series stainless steel.

Wall mounting bracket is Galvanized and of offset design.

All fittings are brass / chrome plated unless otherwise indicated.

**MECHANICAL:**

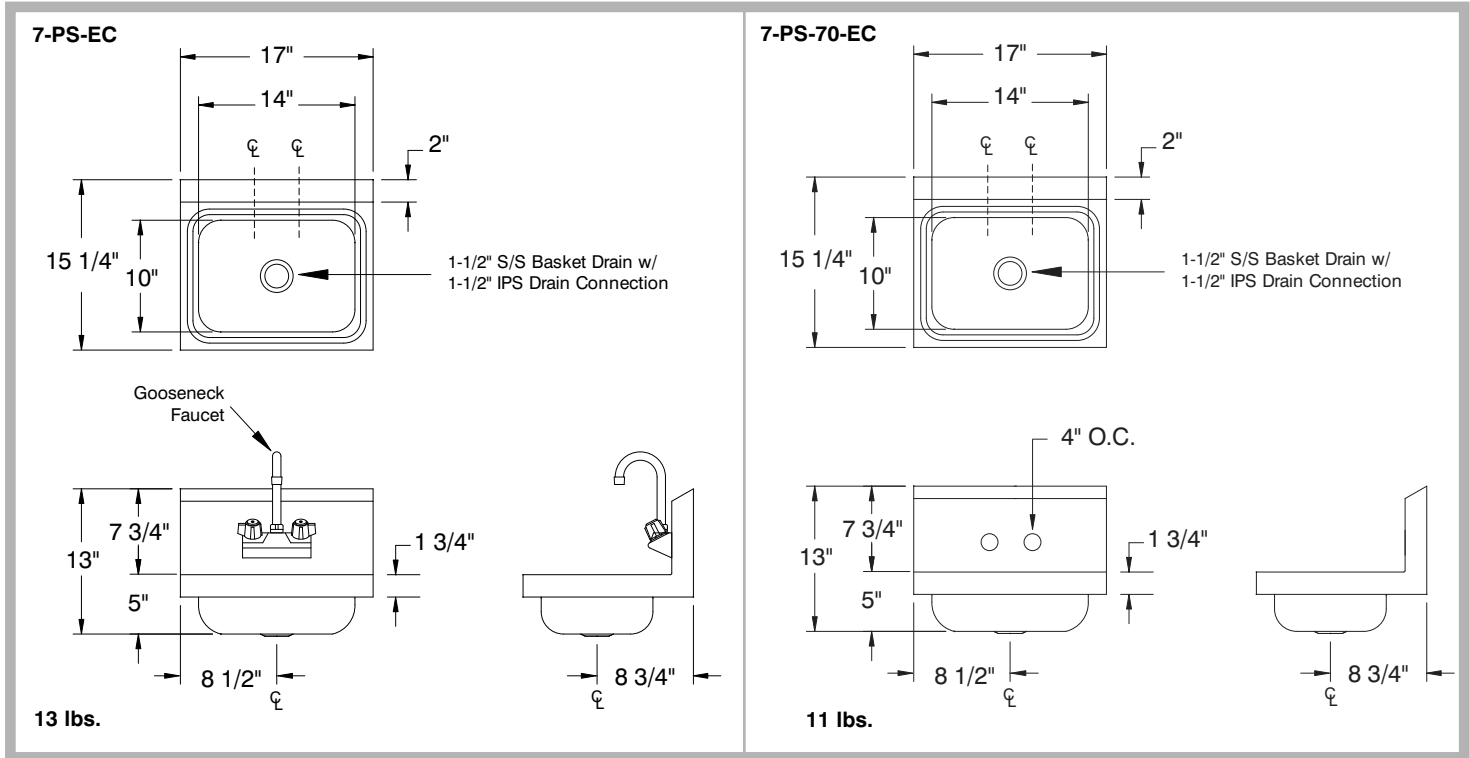
Faucet supply is 1/2" IPS male thread hot and cold.

**DETAILS and SPECIFICATIONS**

TOL Overall: ± .500" Interior: ± .250"

FITTINGS SUPPLIED AS SHOWN

ALL DIMENSIONS ARE TYPICAL



**ADVANCE TABCO** SMART FABRICATION™  
 www.advancetabco.com

**Customer Service Available To Assist You 1-800-645-3166 8:30 am - 8:00 pm E.S.T.**  
 Email Orders To: customer@advancetabco.com. For Smart Fabrication™ Quotes, Email To: smartfab@advancetabco.com or Fax To: 631-586-2933

<b>NEW YORK</b> Fax: (631) 242-6900	<b>GEORGIA</b> Fax: (770) 775-5625	<b>TEXAS</b> Fax: (972) 932-4795	<b>NEVADA</b> Fax: (775) 972-1578
--	---------------------------------------	-------------------------------------	--------------------------------------