



STAINLESS STEEL  
**HAND SINKS**  
**SPACE SAVER UNITS**

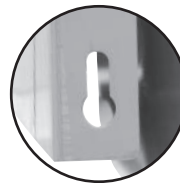


7-PS-22



7-PS-23

Item #:	_____	Qty #:	_____
Model #:	_____		
Project #:	_____		



**Keyhole Bracket for easier installation and greater stability.**

**WITH SOAP & TOWEL DISPENSERS**



7-PS-84



7-PS-83



7-PS-73

**FEATURES:**

One piece **Deep Drawn** sink bowl design.  
 Sink bowl is 9" x 9" x 5".  
 All sink bowls have a large liberal radii with a minimum dimension of 1" and are square in design.  
 Keyhole wall mount bracket.  
 2" stainless steel drain with strainer plate.

**Specific Features:**

**7-PS-22** and **7-PS-83** 4" O.C. centerset faucet furnished with aerator.  
**7-PS-83** and **7-PS-84** 4" O.C. splash mounted gooseneck faucet furnished with aerator. liquid soap & towel dispenser with hinged towel box. Unit uses standard C-fold towels.  
**7-PS-73** 4" O.C. splash mounted gooseneck faucet furnished with aerator. liquid soap & towel dispenser with hinged towel box. Unit uses standard C-fold towels. 7 3/4" high Side Splashes (from top of deck).

**CONSTRUCTION:**

All TIG welded.  
 Welded areas blended to match adjacent surfaces and to a satin finish.  
 Die formed Countertop Edge with a No-Drip offset.  
 One sheet of stainless steel - No Seams.

**MATERIAL:**

Heavy gauge type 304 series stainless steel.  
 Wall mounting bracket is stainless steel and of offset design.  
 All fittings are brass / chrome plated unless otherwise indicated.

**MECHANICAL:**

Faucet supply is 1/2" IPS male thread hot and cold.  
 Drains are 1-1/2" IPS.

**Standard Faucet conforms to NSF 61 Standard 9.  
 Faucets Are AB1953 Lead Free Compliant.**

For Replacement Faucets & Upgrades, Drains & Accessories visit our website at [www.advancetabco.com](http://www.advancetabco.com)



**Customer Service Available To Assist You 1-800-645-3166 8:30 am - 8:00 pm E.S.T.**

For Orders & Customer Service:  
 Email: [customer@advancetabco.com](mailto:customer@advancetabco.com) or Fax: 631-242-6900

For Smart Fabrication™ Quotes:  
 Email: [smartfab@advancetabco.com](mailto:smartfab@advancetabco.com) or Fax: 631-586-2933

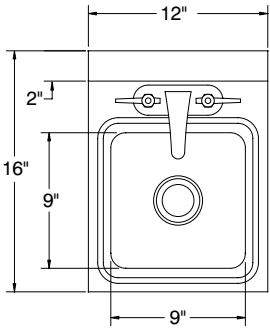
# DIMENSIONS and SPECIFICATIONS

TOL Overall: ± .500" Interior: ± .250"

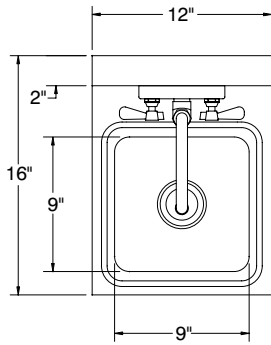
FITTINGS SUPPLIED AS SHOWN

ALL DIMENSIONS ARE TYPICAL

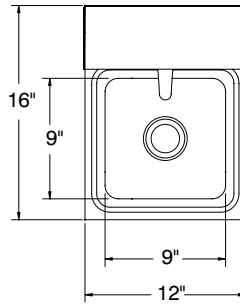
TOP VIEW FOR 7-PS-22



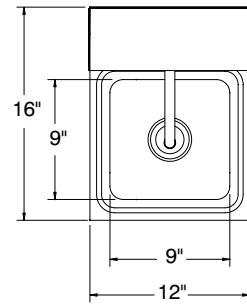
TOP VIEW FOR 7-PS-23



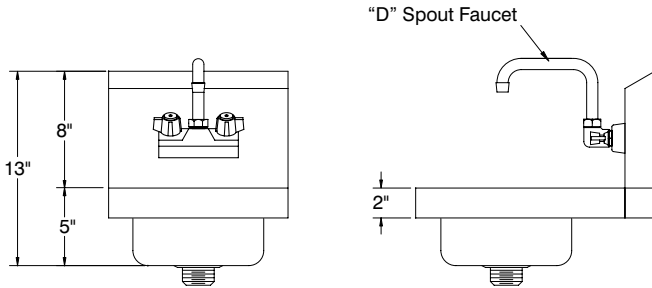
TOP VIEW FOR 7-PS-83



TOP VIEW FOR 7-PS-73 & 7-PS-84

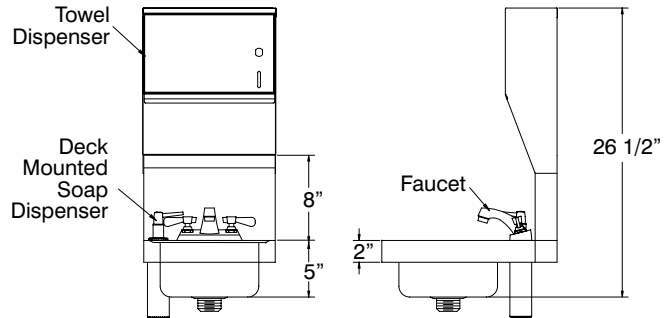


7-PS-23



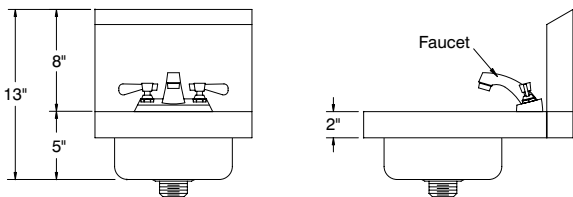
12 lbs.

7-PS-83



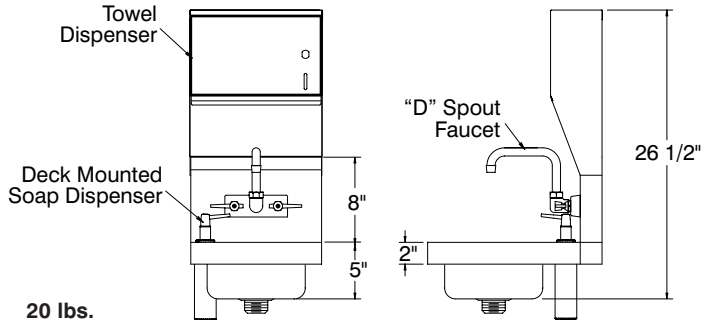
20 lbs.

7-PS-22



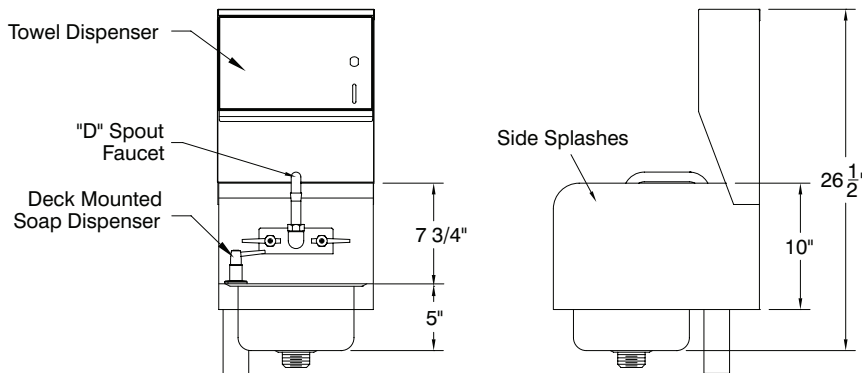
12 lbs.

7-PS-84



20 lbs.

7-PS-73



31 lbs.



ADVANCE TABCO is constantly engaged in a program of improving our products. Therefore, we reserve the right to change specifications without prior notice.