



STAINLESS STEEL
HAND SINKS
PEDESTAL BASE

Item #:	_____	Qty #:	_____
Model #:	_____		
Project #:	_____		



7-PS-90



7-PS-95

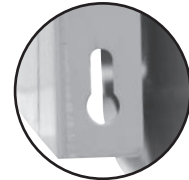


7-PS-99



7-PS-18

Keyhole Bracket for easier installation and greater stability.



FEATURES:

- One piece **Deep Drawn** sink bowl design.
- Sink bowl is 10" x 14" x 5"*.
- (***7-PS-18** sink bowl is 14" x 16" x 6")
- All sink bowls have a large liberal radii with a minimum dimension of 2" and are rectangular in design for increased capacity.
- Keyhole wall mount bracket.
- Stainless steel basket drain 1-1/2" IPS.
- Flush-to-wall unit.
- "Hands Free" splash mounted gooseneck faucet furnished with aerator.
- Foot Pedal Valve for water operation.
- Easy removable panel to access hidden plumbing.

Specific Features:

- 7-PS-95** towel dispenser with hinged towel box. Unit uses standard C-fold towels. Liquid Soap dispenser.
- 7-PS-99** towel dispenser & soap dispenser plus trash receptacle & cabinet storage.

CONSTRUCTION:

- All TIG welded.
- Welded areas blended to match adjacent surfaces and to a satin finish.
- Die formed Countertop Edge with a No-Drip offset.
- One sheet of stainless steel - No Seams.

MATERIAL:

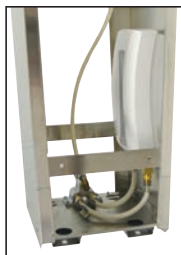
- Heavy gauge type 304 series stainless steel.
- Wall mounting bracket is galvanized and of offset design.
- All fittings are brass / chrome plated unless otherwise indicated.

MECHANICAL:

- Single pedal mixing valve with 3/8" NPT Female. Built in check valve.
- Front operated temperature adjustment.
- (Contractor on site must connect faucet to foot pedal operated valves.)

NOW AVAILABLE
Tankless Electric Heater
 Only Needs Cold Water Supply
7-PS-92

Please See
 Tankless Heater
 Specification Sheet
 for Details



Standard Faucet conforms to NSF 61 Standard 9.
Faucets Are AB1953 Lead Free Compliant.

For Replacement Faucets & Upgrades, Drains & Accessories
 Visit our website at www.advancetabco.com

Customer Service Available To Assist You 1-800-645-3166 8:30 am - 8:00 pm E.S.T.

For Orders & Customer Service:

Email: customer@advancetabco.com or Fax: 631-242-6900

For Smart Fabrication™ Quotes:

Email: smartfab@advancetabco.com or Fax: 631-586-2933



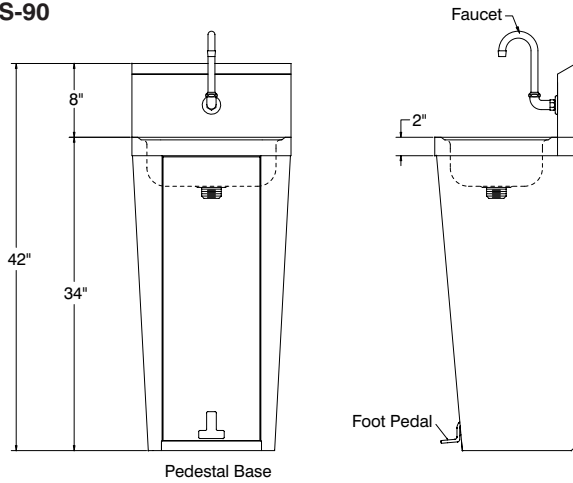
DIMENSIONS and SPECIFICATIONS

TOL Overall: ± .500" Interior: ± .250"

FITTINGS SUPPLIED AS SHOWN

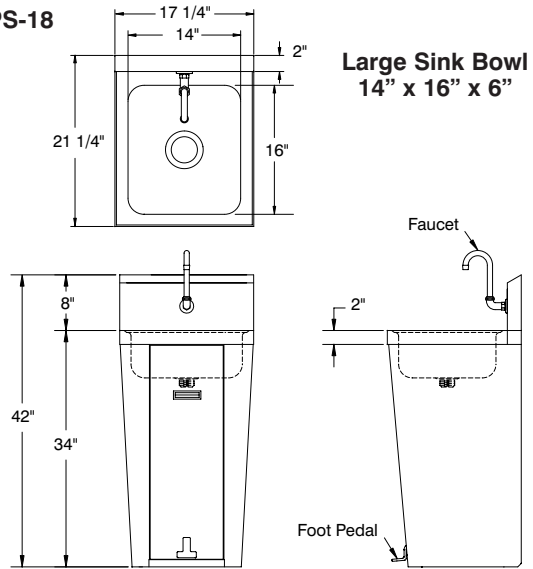
ALL DIMENSIONS ARE TYPICAL

7-PS-90



41 lbs.

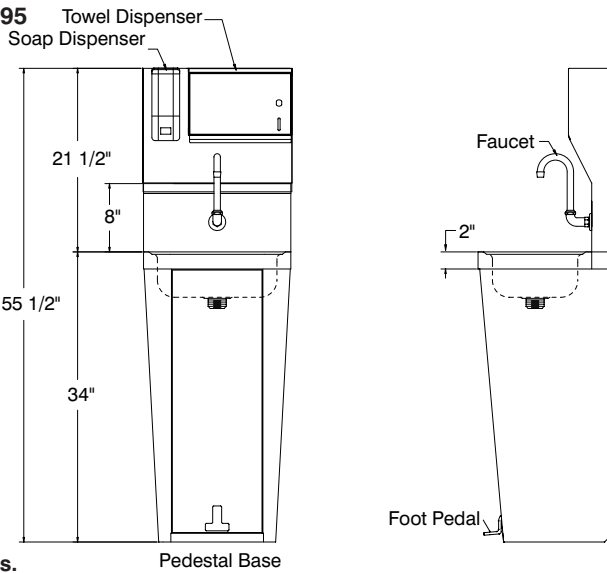
7-PS-18



Large Sink Bowl
14" x 16" x 6"

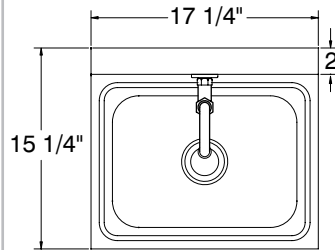
50 lbs.

7-PS-95

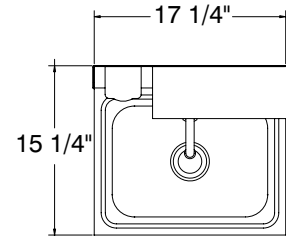


54 lbs.

TOP VIEW 7-PS-90

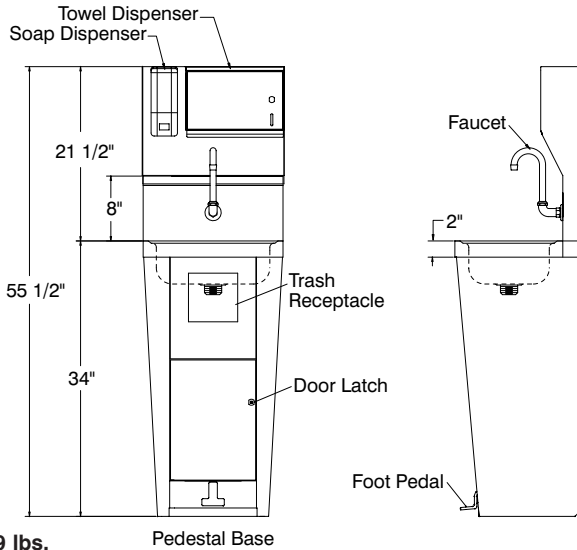


TOP VIEW 7-PS-95 & 7-PS-99



Sink Bowls 10" x 14" x 5"

7-PS-99



59 lbs.

REAR VIEW OF STANDARD PEDESTAL BASE UNITS

