



STAINLESS STEEL  
**HAND SINKS** NSF  
**7-PS-EC-SP**



**Item #:** \_\_\_\_\_ **Qty #:** \_\_\_\_\_  
**Model #:** \_\_\_\_\_  
**Project #:** \_\_\_\_\_

**FEATURES:**

- Deep Drawn** sink bowl design.
- Sink bowl is 10" x 14" x 5".
- Sink bowl has a large liberal radii with a minimum dimension of 2" and are rectangular in design for increased capacity.
- 7 3/4" high side splashes.
- Stainless steel 1-1/2" basket drain. 1-1/2" IPS.
- Wall mount bracket.
- 4" O.C. economy splash mounted gooseneck faucet, chrome plated & furnished with aerator.
- NOTE:** This faucet does NOT meet Lead Free compliance.

**CONSTRUCTION:**

- All TIG welded.
- Welded areas blended to match adjacent surfaces and to a satin finish.
- Die formed Countertop Edge with a No-Drip offset.

**MATERIAL:**

- Heavy gauge type 304 series stainless steel.
- Wall mounting bracket is Galvanized and of offset design.
- All fittings are brass / chrome plated unless otherwise indicated.

**MECHANICAL:**

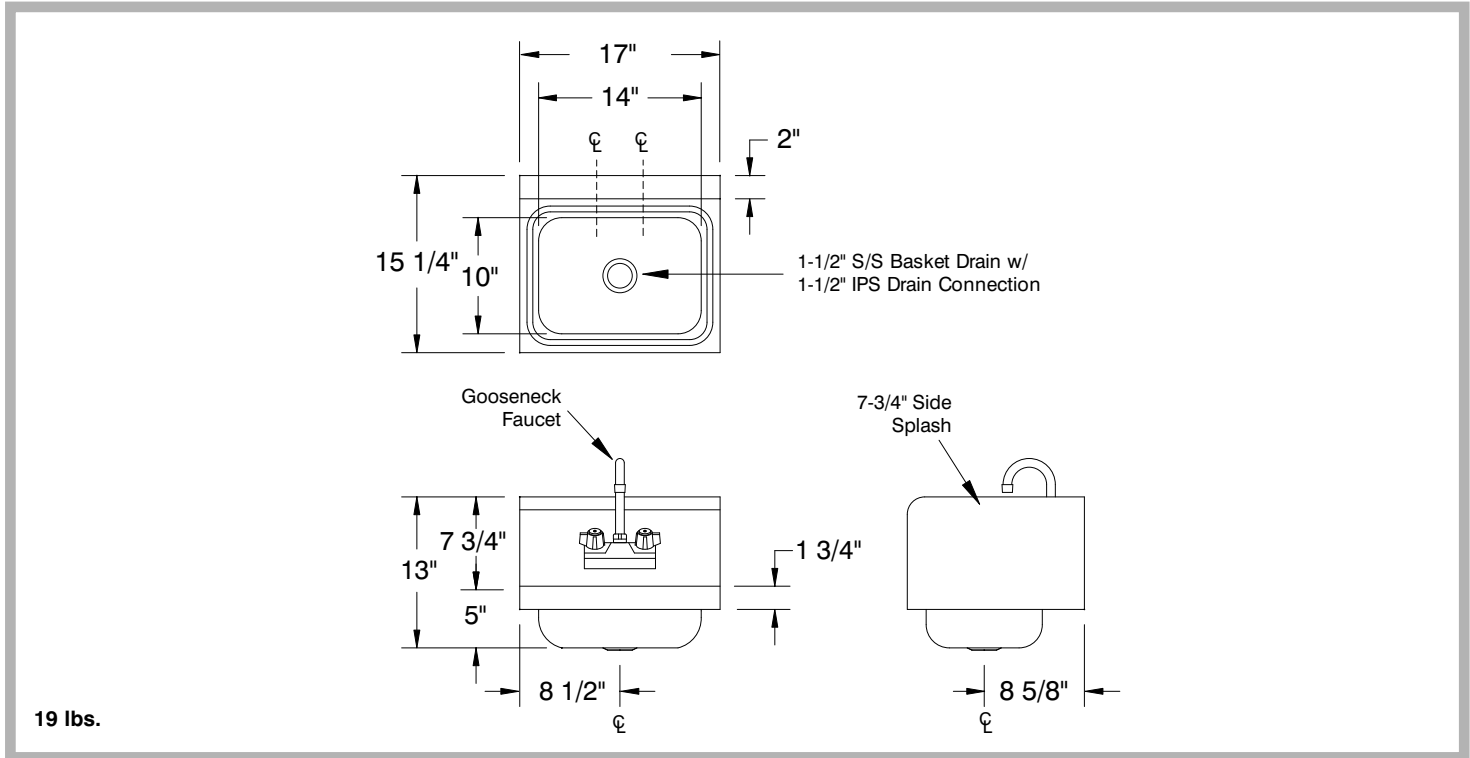
- Faucet supply is 1/2" IPS male thread hot and cold.

**DETAILS and SPECIFICATIONS**

TOL Overall: ± .500" Interior: ± .250"

FITTINGS SUPPLIED AS SHOWN

ALL DIMENSIONS ARE TYPICAL



**ADVANCE TABCO SMART FABRICATION**  
www.advancetabco.com

**Customer Service Available To Assist You 1-800-645-3166 8:30 am - 8:00 pm E.S.T.**  
Email Orders To: customer@advancetabco.com. For Smart Fabrication™ Quotes, Email To: smartfab@advancetabco.com or Fax To: 631-586-2933

<b>NEW YORK</b> Fax: (631) 242-6900	<b>GEORGIA</b> Fax: (770) 775-5625	<b>TEXAS</b> Fax: (972) 932-4795	<b>NEVADA</b> Fax: (775) 972-1578
--	---------------------------------------	-------------------------------------	--------------------------------------