



ALUMINUM
BUS BOX CART

Item #: _____ **Qty #:** _____

Model #: _____

Project #: _____



BC3

FEATURES:

- Curved top design.
- Heavy duty welded construction with 6 cross supports.
- Heavy duty 5" stem bolted swivel casters.
- 1 1/2" Ribbed Angles.
- Holds 3 bus boxes.

CONSTRUCTION:

Fully welded 1" square tubing ladder assembly.

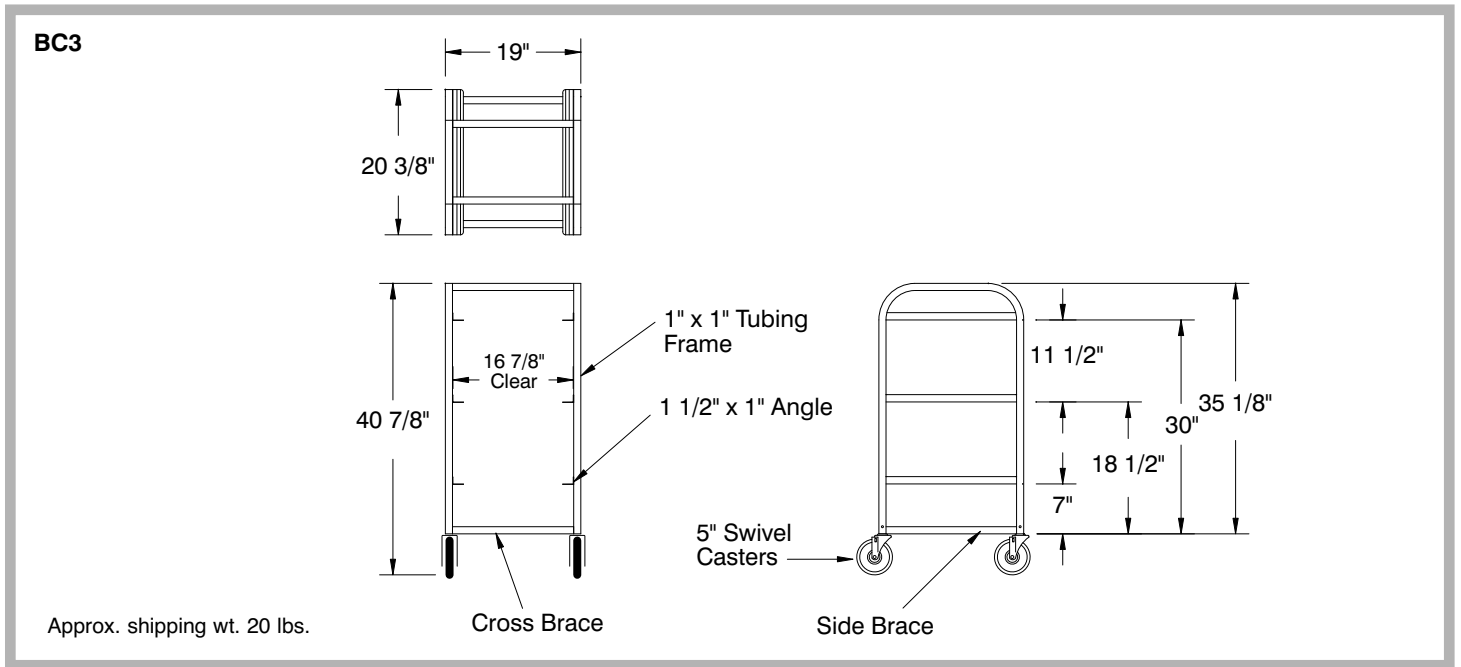
MATERIAL:

6063-T52 extruded aluminum angles, upright tubing, and support pieces.

DIMENSIONS and SPECIFICATIONS

TOL ± .500"

ALL DIMENSIONS ARE TYPICAL



<p>ADVANCE TABCO SMART FABRICATION™ www.advancetabco.com</p>	<p>Customer Service Available To Assist You 1-800-645-3166 8:30 am - 8:00 pm E.S.T.</p> <p>Email Orders To: customer@advancetabco.com. For Smart Fabrication™ Quotes, Email To: smartfab@advancetabco.com or Fax To: 631-586-2933</p>			
	<p>NEW YORK Fax: (631) 242-6900</p>	<p>GEORGIA Fax: (770) 775-5625</p>	<p>TEXAS Fax: (972) 932-4795</p>	<p>NEVADA Fax: (775) 972-1578</p>