

Item #: _____	Qty #: _____
Model #: _____	
Project #: _____	

EVERYDAY BUFFET CASH REGISTER STAND



FEATURES:

- Locking drawer
- 4" Swivel Casters, with two brakes
- Open storage area
- Access hole for power cord

MATERIAL:

- TOP:** 20 gauge #304 stainless steel welded frame
- BODY:** 20 gauge steel available in matte black vinyl clad

Model	Length	Width	Height	Wt (lbs.)	Cu. Ft.
BCRS-B	22.7"	22.7"	34.4"	45	38

EVERYDAY BUFFET SILVERWARE STAND



FEATURES:

- Supplied with 12 plastic silverware cups.
- 4" Swivel Casters, with two brakes.

MATERIAL:

- BODY:** 20 gauge steel available in matte black vinyl clad
- TRAY SHELF:** 20 gauge steel available in matte black vinyl clad

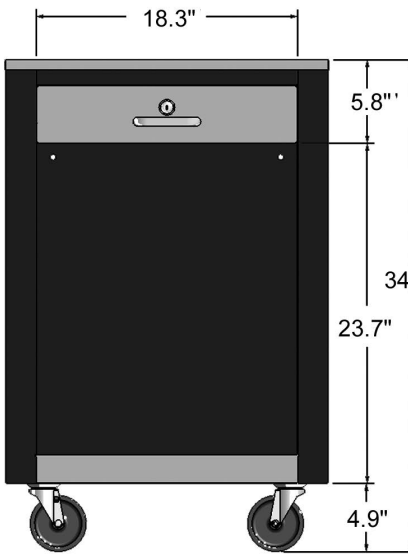
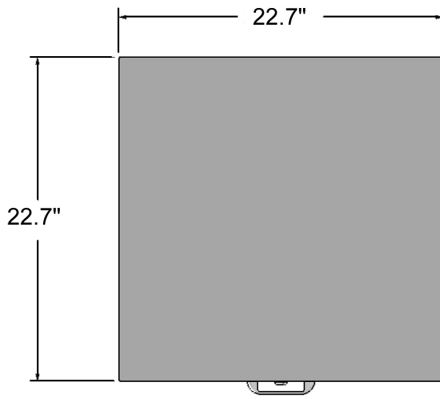
Model	Length	Width	Height	Wt (lbs.)	Cu. Ft.
BSWS-B	31.875"	22.4"	40"	40	38

DIMENSIONS and SPECIFICATIONS

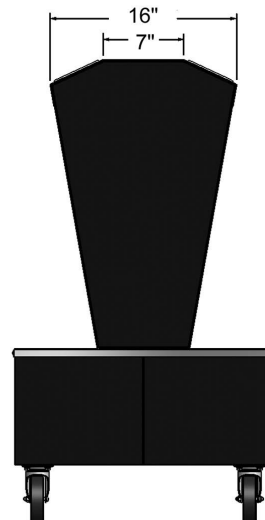
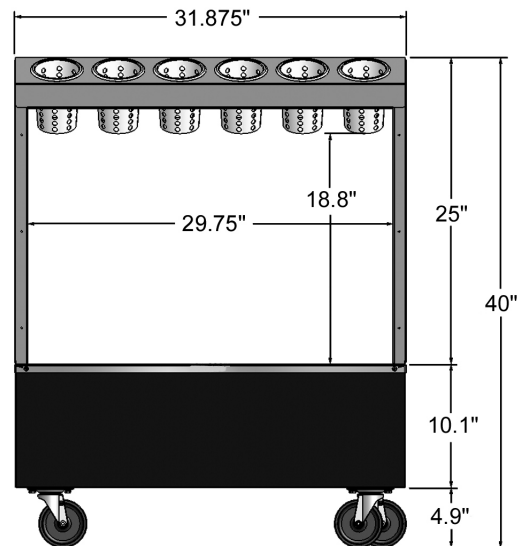
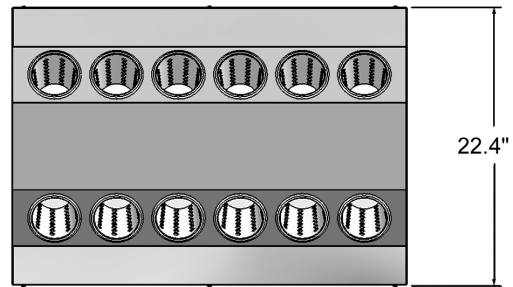
TOL ± .125"

ALL DIMENSIONS ARE TYPICAL

BCRS-B



BSWS-B



ADVANCE TABCO is constantly engaged in a program of improving our products. Therefore, we reserve the right to change specifications without prior notice.