



COLD PAN TABLES



These multi-purpose units can be used to ice down cold items, such as fruit, pudding, yogurt, other desserts, and drinks. They can also be used for a salad bar.

FEATURES:

- Stainless steel undershelf
- Fiberglass insulation
- 1" thick poly cutting board (8" wide)
- 1" diameter drain

For Mobile Units:

- SU-25** - 5" swivel casters, two with brakes
- Universal mount push handle (right/left) on mobile units

MATERIAL:

- TOP:** 18 gauge #302 stainless steel
- BODY:** 22 gauge #430 stainless steel
- LEGS:** 18 gauge #302 stainless steel with fully adjustable non-marking tip bullet foot
- UNDERSHELF:** 22 gauge #430 stainless steel
- LINERS:** 8" deep, 22 Gauge #302 stainless steel
- CUTTING BOARD:** White thermoplastic
- CUTTING BOARD BRACKETS:** 16 gauge, #302 stainless steel

PLUMBING:

Drain is 1" I.P.S.

Item #: _____	Qty #: _____
Model #: _____	
Project #: _____	



CPU-3 Shown

Model #	Length	Inside Cabinet Dimensions	Weight (lbs)	Cubic Feet
TABLE WITH UNDERSHELF				
CPU-2	31-13/16"	N/A	90	28
CPU-3	47-1/8"	N/A	118	41
CPU-4	62-7/16"	N/A	150	55
CPU-5	77-3/4"	N/A	168	67
TABLES WITH CABINET BASE				
CPU-2-BS	31-13/16"	25.3" x 22.4" x 16"	115	28
CPU-3-BS	47-1/8"	40.63" x 22.4" x 16"	143	41
CPU-4-BS	62-7/16"	55.88" x 22.4" x 16"	185	55
CPU-5-BS	77-3/4"	71.25" x 22.4" x 16"	203	67
TABLES WITH CABINET BASE AND SLIDING DOORS				
CPU-2-DR	31-13/16"	25.3" x 22.4" x 16"	125	28
CPU-3-DR	47-1/8"	40.63" x 22.4" x 16"	153	41
CPU-4-DR	62-7/16"	55.88" x 22.4" x 16"	195	55
CPU-5-DR	77-3/4"	71.25" x 22.4" x 16"	213	67



Customer Service Available To Assist You 1-800-645-3166 8:30 am - 8:00 pm E.S.T.

For Orders:

Email: customer@advancetabco.com or Fax To: 631-242-6900

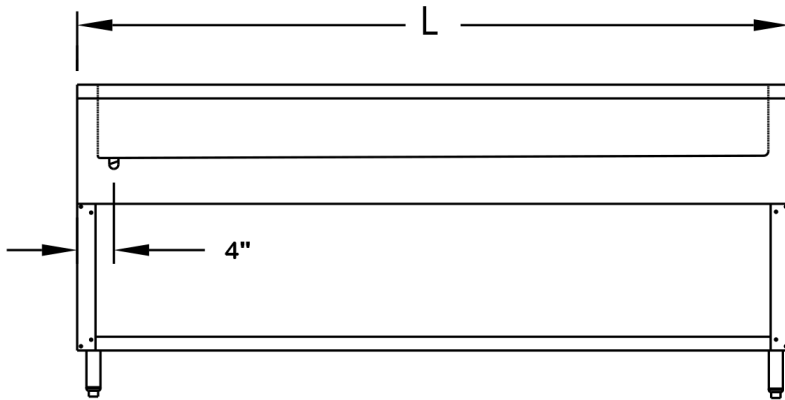
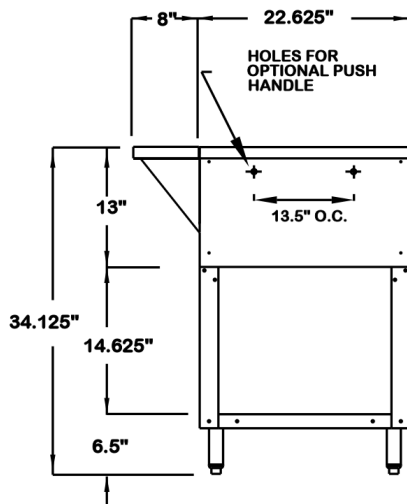
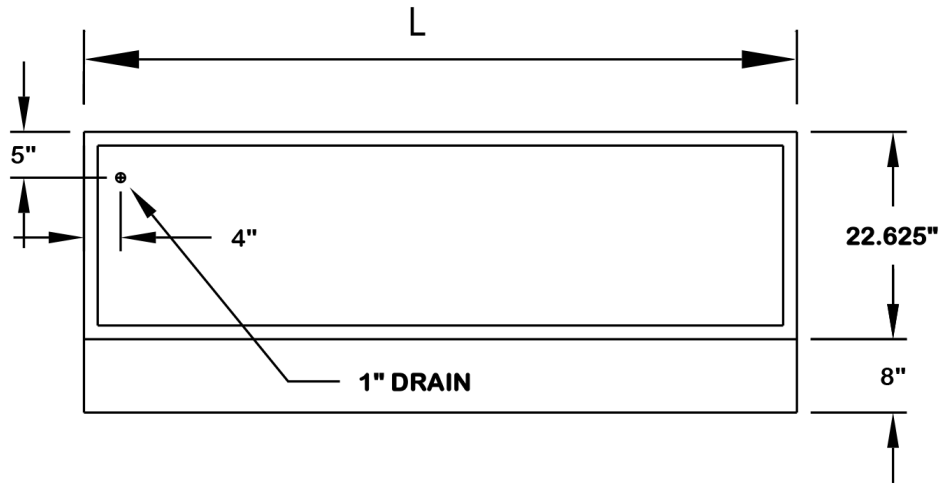
For Smart Fabrication™ Quotes:

Email: smartfab@advancetabco.com or Fax To: 631-586-2933

DIMENSIONS and SPECIFICATIONS

TOL ± .125"

ALL DIMENSIONS ARE TYPICAL



Accessories:

Portable Kit (5" casters, 2 locking & push handle) - Add **SU-25**

Solid tray Shelf - **Models TTS-(2-5)**

Tubular Tray Rail - **Models TTR-(2-5)**

Drop-Down Tubular Tray Rail - **Models TTR-(2-5)D**

Dish Shelf Add-On (mount under cutting board)- **Models TDS-(2-5)**

12" or 18" Double or Single Overshelf - **Models TOS-(2-5) & STOS-(2-5)**

Buffet Shelf - **Model TBS-(2-5)**

Serving Shelf - **Model TSS-(2-5)**

