



# STAINLESS STEEL Beer Drainers **NSF** 18" and 21" Wide Units



Item #: \_\_\_\_\_ Qty #: \_\_\_\_\_  
 Model #: \_\_\_\_\_  
 Project #: \_\_\_\_\_

18" WIDE Model #	Approx. Weight	Approx. Cu. Ft.	21" WIDE Model #	Approx. Weight	Approx. Cu. Ft.	O.A. Length (A)	Drain Location (B)	Dist. To Center Of Column
SLBD-18	32 lbs.	6	CRBD-18	33 lbs.	6	18"	9"	9"
SLBD-2	38 lbs.	6	CRBD-2	42 lbs.	7	23"	11 1/2"	11 1/2"

### FEATURES:

- 3" x 6" rear column for beer lines.
- Embossed and seamless drainboard with drain.
- 7" backsplash.
- Black powder coated cross-braced legs, with adjustable black bullet feet.

### OPTIONAL:

- SU-10** - Upgrade to stainless steel legs and bullet feet
- SU-40** - Prep unit for installation of speed rail
- SU-68** - Omit corrugation on drainboard

### MATERIAL:

- Beer Column:** 16 gauge, 300 stainless steel
- Drainboard & Sides:** 20 gauge, 300 stainless steel
- Front Apron & Backsplash:** 22 gauge, 300 stainless steel
- Understructure:** 22 gauge galvaneal front/back; 11 gauge electrogalvaneal leg channel
- Legs:** Black powder coated 1 5/8" O.D. 18 gauge, galvanized steel with adjustable black plastic bullet feet

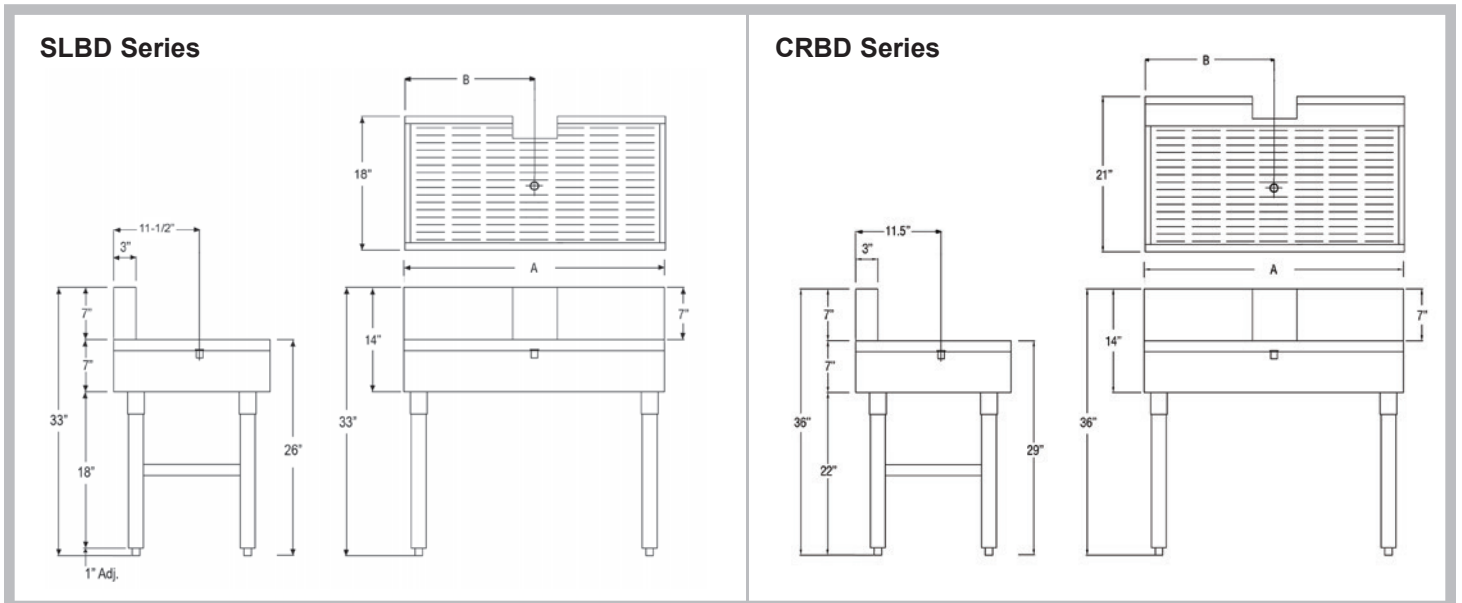
### MECHANICAL:

1" IPS drain

## DETAILS and SPECIFICATIONS

TOL Overall: ± .500" Interior: ± .250"

ALL DIMENSIONS ARE TYPICAL



Customer Service Available To Assist You **1-800-645-3166** 8:30 am - 8:00 pm E.S.T.

For Orders & Customer Service:  
 Email: [customer@advancetabco.com](mailto:customer@advancetabco.com) or Fax: 631-242-6900

For Smart Fabrication™ Quotes:  
 Email: [smartfab@advancetabco.com](mailto:smartfab@advancetabco.com) or Fax: 631-586-2933