



STAINLESS STEEL
Combo Bar Sinks **NSF**
 18" and 21" Wide Units - Deep Drawn Bowls



SLC Series
 18" Wide Units With
 Splash Mount Faucets



CRC Series
 21" Wide Units With
 Deck Mount Faucets

Item #: _____ Qty #: _____
 Model #: _____
 Project #: _____

Featuring **Deep Drawn**
Seamless Bowls



FEATURES:

- One piece **Deep Drawn** sink bowls measuring 10" x 14" x 10".
- Two embossed and seamless drainboards.
- One 24" x 15" x 8" insulated ice bin on either left or right side.
- Two injection molded plastic bottle racks.
- 4" backsplash.
- Black powder coated cross-braced legs.
- Molded apron for extra durability.
- CRB Series** has 2 3/4" rear deck for extra storage

MECHANICAL:

- SLB Series:** Includes 4" O.C., 12" splash mt. swing spout faucet.
- CRB Series:** Includes 4" O.C., 10" deck mt. swing spout faucet.
- All faucets meet federal lead free standards.**
- Sink bowls includes 9" high overflow pipe(s) with 1 1/2" IPS drain(s).
- Ice bin includes 1" IPS drain.

MATERIAL:

- Sink Bowls and Drainboards:** 20 gauge, 300 stainless steel
- Front Apron and Backsplash:** 22 gauge, 300 stainless steel
- Sides:** 20 gauge, 430 stainless steel
- Understructure:** 22 gauge galvaneal front/back; 11 gauge electrogalvaneal leg channel
- Legs:** Black powder coated 1 5/8" O.D. 18 gauge, galvanized steel with adjustable black plastic bullet feet
- Ice Bin Insulation:** 2 lbs. density styrofoam

OPTIONAL:

- K-316-LU** - Add wrist handles
- SU-10** - Upgrade to stainless steel legs and bullet feet
- SU-40** - Prep unit for installation of speed rail
- SU-68** - Omit corrugation on drainboard(s)

18" WIDE Model #	Approx. Weight	Approx. Cu. Ft.	21" WIDE Model #	Approx. Weight	Approx. Cu. Ft.	O.A. Length (A)	# of Bowls (B)	Drbd. Length (C)	Ice Bin Capacity	Ice Bin Location
SLC-73C-L	108 lbs.	21	CRC-73C-L	115 lbs.	23	83"	3	12" each	54 lbs.	Left
SLC-73C-R	108 lbs.	21	CRC-73C-R	115 lbs.	23	83"	3	12" each	54 lbs.	Right
SLC-83C-L	118 lbs.	24	CRC-83C-L	126 lbs.	26	95"	3	18" each	54 lbs.	Left
SLC-83C-R	118 lbs.	24	CRC-83C-R	126 lbs.	26	95"	3	18" each	54 lbs.	Right
SLC-84C-L*	120 lbs.	24	CRC-84C-L*	129 lbs.	26	95"	4	12" each	54 lbs.	Left
SLC-84C-R*	120 lbs.	24	CRC-84C-R*	129 lbs.	26	95"	4	12" each	54 lbs.	Right

*4 Comp. Combo Bar Sinks Includes Two 6" Swing Spout Faucets

L And R Indicate Ice Bin Location.



Customer Service Available To Assist You **1-800-645-3166** 8:30 am - 8:00 pm E.S.T.

For Orders & Customer Service:
 Email: customer@advancetabco.com or Fax: 631-242-6900

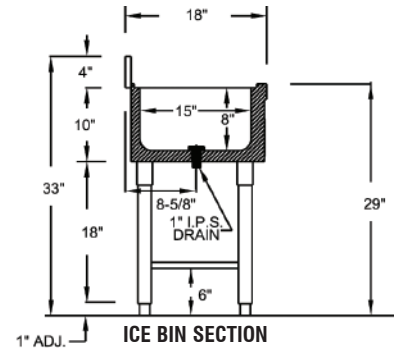
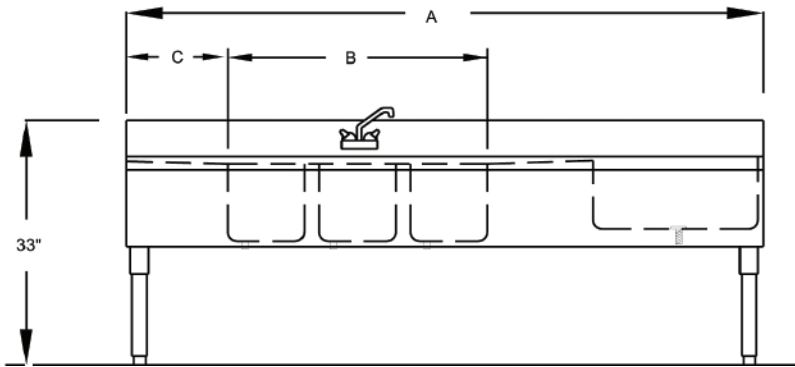
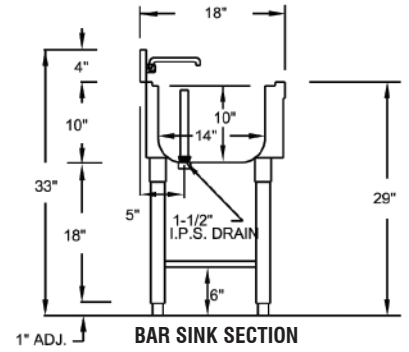
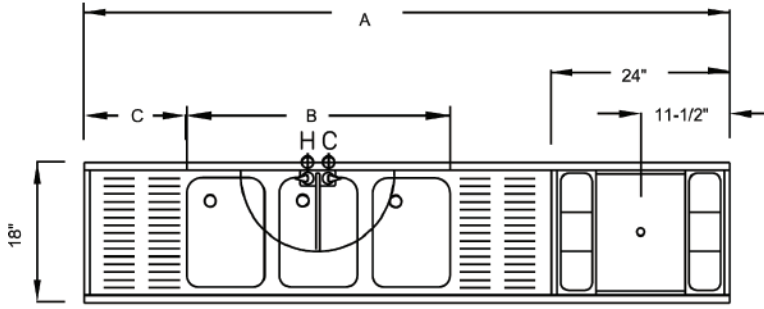
For Smart Fabrication™ Quotes:
 Email: smartfab@advancetabco.com or Fax: 631-586-2933

DIMENSIONS and SPECIFICATIONS

TOL Overall: ± .500" Interior: ± .250"

ALL DIMENSIONS ARE TYPICAL

SLC Series



CRC Series

