



STAINLESS STEEL Combo Ice Bins 18" and 21" Wide Units



SLCI Series
18" Wide Units



CRCI Series
21" Wide Units

Item #: _____ Qty #: _____
 Model #: _____
 Project #: _____

FEATURES:

- 4" backsplash.
- 12" deep ice bin.
- Insulated storage bin(s).
- Welded partition between bins.
- Two removable injection molded 3-pack plastic bottle racks.
- Black powder coated cross-braced legs, with adjustable black plastic bullet feet.

CRCI Series has 2 3/4" rear deck for extra storage.

MECHANICAL:

Two 1" IPS drains.

**Bottle Racks Must Be Removed For NSF Compliance
And For Use With Optional Cover.**

MATERIAL:

- Ice Bin, Front Apron, Backsplash:** 22 gauge, 300 stainless steel
- Sides:** 20 gauge, 430 stainless steel
- Understructure:** 22 gauge galvanneal front/back; 11 gauge electrogalvanneal leg channel
- Legs:** 1 5/8" O.D. 18 gauge, galvanized steel with adjustable black plastic bullet feet
- Ice Bin Insulation:** 2 lbs. density styrofoam

OPTIONAL:

- SU-10** - Upgrade to stainless steel legs and bullet feet
- SU-40** - Prep unit for installation of speed rail
- SSC-12** - Cover for 12" ice bin
- SSC-15** - Cover for 15" ice bin
- SSC-23** - Cover for 24" ice bin
- SSC-29** - Cover for 30" ice bin
- SSC-35** - Cover for 36" ice bin
- SSC-47** - Cover for 48" ice bin

18" WIDE			21" WIDE			(A)	(B)	(C)	# of Independent Bins	Ice Bin Capacity
Model #	Approx. Weight	Approx. Cu. Ft.	Model #	Approx. Weight	Approx. Cu. Ft.					
SLCI-36L	73 lbs.	13	CRCI-36L	82 lbs.	13	35"	29"	11 1/2"	2	77/35 lbs.
SLCI-36R	73 lbs.	13	CRCI-36R	82 lbs.	13	35"	29"	11 1/2"	2	35/77 lbs.
SLCI-42L	81 lbs.	13	CRCI-42L	89 lbs.	13	41"	35"	14 1/2"	2	98/35 lbs.
SLCI-42R	81 lbs.	13	CRCI-42R	89 lbs.	13	41"	35"	14 1/2"	2	35/98 lbs.
SLCI-48L	89 lbs.	14	CRCI-48L	95 lbs.	14	47"	41"	17 1/2"	2	119/35 lbs.
SLCI-48R	89 lbs.	14	CRCI-48R	95 lbs.	14	47"	41"	17 1/2"	2	35/119 lbs.
SLCI-48LR	104 lbs.	14	CRCI-48LR	113 lbs.	15	47"	6"/41"	23 1/2"	3	35/77/35 lbs.
SLCI-54LR	112 lbs.	15	CRCI-54LR	119 lbs.	16	53"	6"/41"	26 1/2"	3	35/98/35 lbs.
SLCI-60LR	120 lbs.	15	CRCI-60LR	126 lbs.	17	59"	6"/53"	29 1/2"	3	35/119/35 lbs.

L And R Indicate Ice Bin Location On Either Left Or Right Side. LR Indicates Ice Bin Is Centered.

www.advancetabco.com

Customer Service Available To Assist You 1-800-645-3166 8:30 am - 8:00 pm E.S.T.

For Orders & Customer Service:
 Email: customer@advancetabco.com or Fax: 631-242-6900

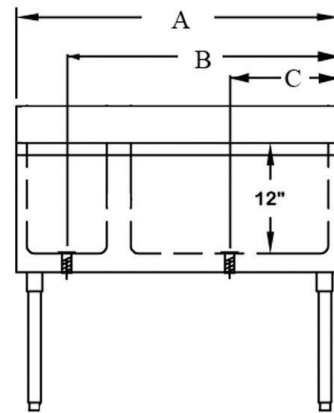
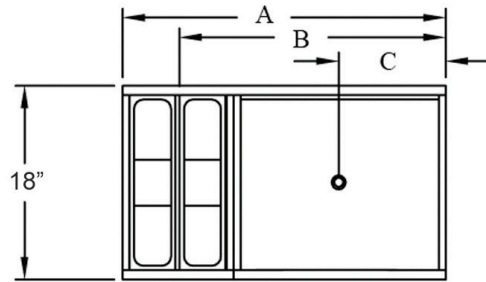
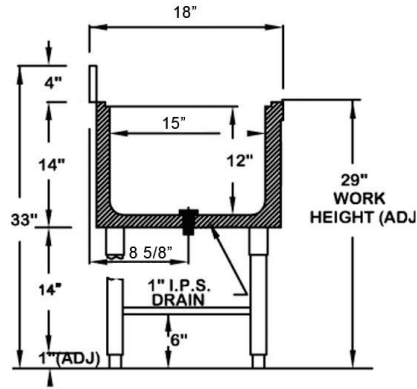
For Smart Fabrication™ Quotes:
 Email: smartfab@advancetabco.com or Fax: 631-586-2933

DIMENSIONS and SPECIFICATIONS

TOL Overall: ± .500" Interior: ± .250"

ALL DIMENSIONS ARE TYPICAL

SLCI Series



CRCI Series

