



# STAINLESS STEEL Drainboard Storage Cabinets 21" Wide Units



Item #: \_\_\_\_\_ Qty #: \_\_\_\_\_  
 Model #: \_\_\_\_\_  
 Project #: \_\_\_\_\_



**Open Base**  
*CRD-2B Shown*



**Open Base  
 w/ Mid-Shelf**  
*CRD-2BM Shown*



**w/ Mid-Shelf  
 & Door**  
*CRD-2BMD Shown*

**FEATURES:**

Embossed and seamless drainboard with drain in back right.  
 3" diameter hole in back panel for plumbing.  
 Stainless steel legs with adjustable stainless steel bullet feet.  
 Optional removable hinged door.  
 Rear deck provides extra storage.  
 4" backsplash.

**MECHANICAL:**

1" IPS drain

**MATERIAL:**

20 gauge, 300 stainless steel

**Backsplash & Front Molding:** 22 gauge, 300 stainless steel

**Legs:** 16 gauge stainless Steel 1 5/8" O.D.  
 with adjustable stainless steel bullet feet

**OPTIONAL:**

**SU-27** - Add door lock

**SU-22A** - Add 10" x 14" x 10" sink with faucet

**SU-68** - Omit corrugation on drainboard

	21" WIDE Model #	Size W x L x H	Approx. Weight	Approx. Cu. Ft.
OPEN BASE	CRD-2B	21" x 24" x 33"	59 lbs.	14
	CRD-30B	21" x 30" x 33"	99 lbs.	18
	CRD-3B	21" x 36" x 33"	140 lbs.	20
	CRD-4B	21" x 48" x 33"	152 lbs.	20
OPEN BASE W/ MID-SHELF	CRD-2BM	21" x 24" x 33"	59 lbs.	14
	CRD-30BM	21" x 30" x 33"	99 lbs.	18
	CRD-3BM	21" x 36" x 33"	140 lbs.	20
	CRD-4BM	21" x 36" x 33"	152 lbs.	20
W/ MID-SHELF & DOOR	CRD-2BMD	21" x 24" x 33"	59 lbs.	14
	CRD-30BMD	21" x 30" x 33"	99 lbs.	18
	CRD-3BMD	21" x 36" x 33"	140 lbs.	20
	CRD-4BMD	21" x 48" x 33"	152 lbs.	20



Customer Service Available To Assist You 1-800-645-3166 8:30 am - 8:00 pm E.S.T.

For Orders & Customer Service:  
 Email: customer@advancetabco.com or Fax: 631-242-6900

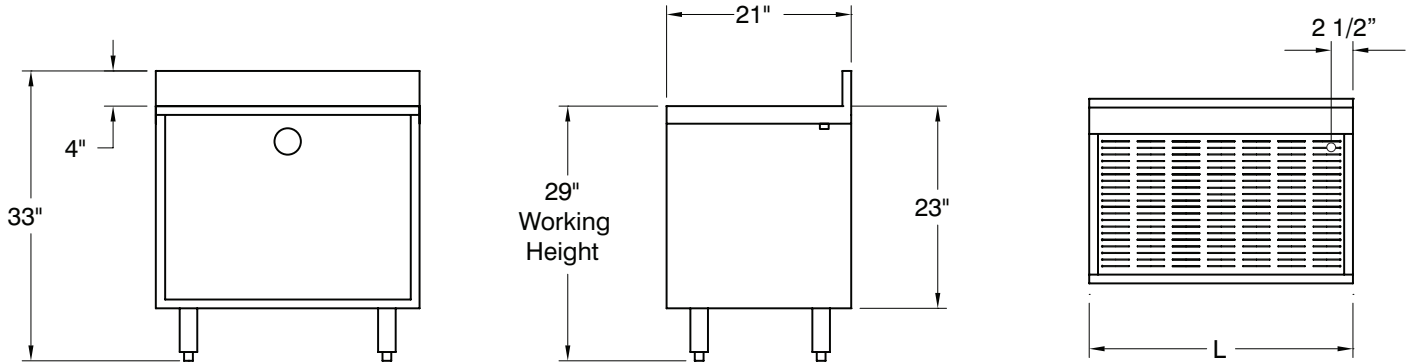
For Smart Fabrication™ Quotes:  
 Email: smartfab@advancetabco.com or Fax: 631-586-2933

# DIMENSIONS and SPECIFICATIONS

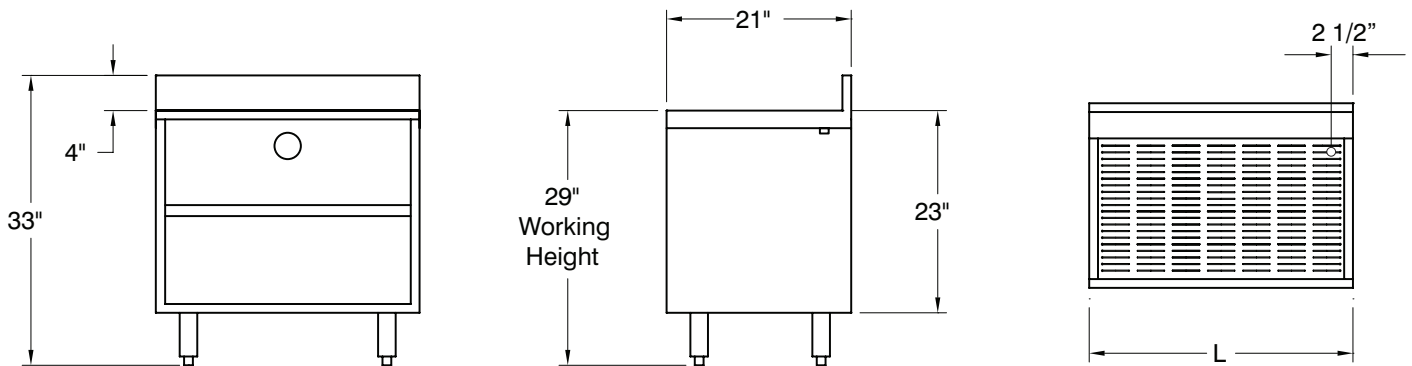
TOL Overall:  $\pm .500$ " Interior:  $\pm .250$ "

ALL DIMENSIONS ARE TYPICAL

## Open Base



## w/ Mid-Shelf



## w/ Mid-Shelf & Door

