



STAINLESS STEEL Liquor Display Racks **NSF** 21" Wide Units



CRLR-24
Shown



CRLR-24-LC
Shown

Item #: _____ Qty #: _____

Model #: _____

Project #: _____

FEATURES:

Five tiered steps to display liquor bottles.

Steel straps secure bottles on steps.

Optional stainless steel locking cover with piano hinges, includes keyed pad lock.

4" backsplash.

Stainless steel legs with adjustable plastic bullet feet.

MATERIAL:

Interior & Sides: 20 gauge, 300 stainless steel

Straps: 18 gauge, 300 stainless steel

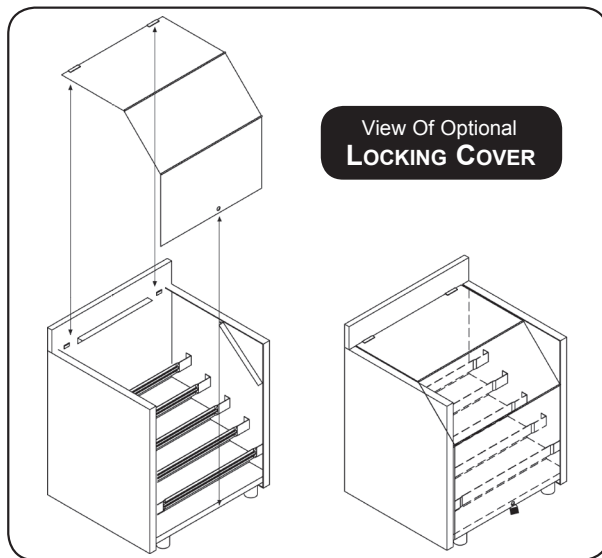
Backsplash: 22 gauge, 300 stainless steel

Legs: 1 5/8" O.D. 16 gauge stainless steel with 1" adjustable plastic bullet feet

Locking Cover: 20 gauge, 300 stainless steel (-LC models only)

MECHANICAL:

Piano hinges on optional locking cover.



View Of Optional
LOCKING COVER

21" WIDE Model #	Overall Length (A)	Approx. Weight	Approx. Cu. Ft.
CRLR-12	12"	24 lbs.	10
CRLR-18	18"	29 lbs.	12
CRLR-24	23"	34 lbs.	13
CRLR-30	29"	39 lbs.	14
CRLR-36	35"	44 lbs.	15
With Locking Cover			
CRLR-12-LC	12"	25 lbs.	10
CRLR-18-LC	18"	34 lbs.	12
CRLR-24-LC	23"	38 lbs.	13
CRLR-30-LC	29"	44 lbs.	14
CRLR-36-LC	35"	48 lbs.	15



Customer Service Available To Assist You 1-800-645-3166 8:30 am - 8:00 pm E.S.T.

For Orders & Customer Service:

Email: customer@advancetabco.com or Fax: 631-242-6900

For Smart Fabrication™ Quotes:

Email: smartfab@advancetabco.com or Fax: 631-586-2933

DIMENSIONS and SPECIFICATIONS

TOL Overall: $\pm .500"$ Interior: $\pm .250"$

ALL DIMENSIONS ARE TYPICAL

