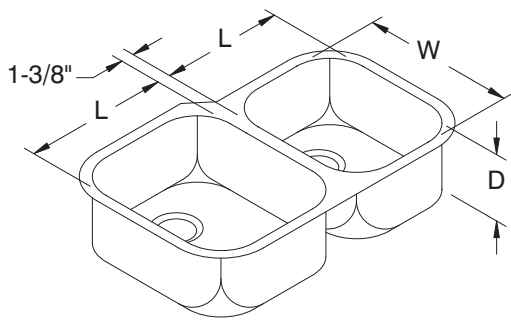


## The Curve™ Group CONTOURED ADJOINED SCULLERY SINKS

Features:

- 16 Gauge, Type 304 Stainless Steel
- Stainless steel 3-1/2" REAR drain and basket strainer (1-1/2" I.P.S.)
- Sound deadened



Inside Sink Bowl Dimension



**Curve™ Adjoined Sink Bowls:**  
Two sinks connected as one overall unit with 1-3/8" in between.



CV-2-3221-LRE Shown Above

Model	Inside Sink Bowl Dim. L x W x D	Overall Size	Sink Base Length	Approx. Wt.
CV-2-3221-LRE	15-3/4"x18-3/4"x9" / 13"x16-1/2"x7"	32"x20-3/4"	36"	32 lbs.
CV-2-3221-RRE	13"x16-1/2"x7" / 15-3/4"x18-3/4"x9"	32"x20-3/4"	36"	32 lbs.
CV-2-3121-LRE	17-3/4"x18-1/2"x9" / 10-3/8"x16"x7"	31"x21"	36"	31 lbs.
CV-2-3121-RRE	10-3/8"x16"x7" / 17-3/4"x18-1/2"x9"	31"x21"	36"	31 lbs.

(1" flange on all 4 sides. Leave room in rear for rear mount faucet or faucet can also be off center.)

Faucet Not Included.

### ACCESSORIES

Protect Your Sinks with Matching Chrome Sink Grids



Model	Fits Bowl Size
SG-1016-RE	10-3/8" x 16"
SG-1316-RE	13" x 16-1/2"
SG-1518-RE	15-3/4" x 18-3/4"
SG-1718-RE	17-3/4" x 18-1/2"

## Professional Stainless Steel Products For Your Home

Toll Free Phone: 866-799-0106 • Toll Free Fax: 866-799-0249

www.alinebyadvancetabco.com