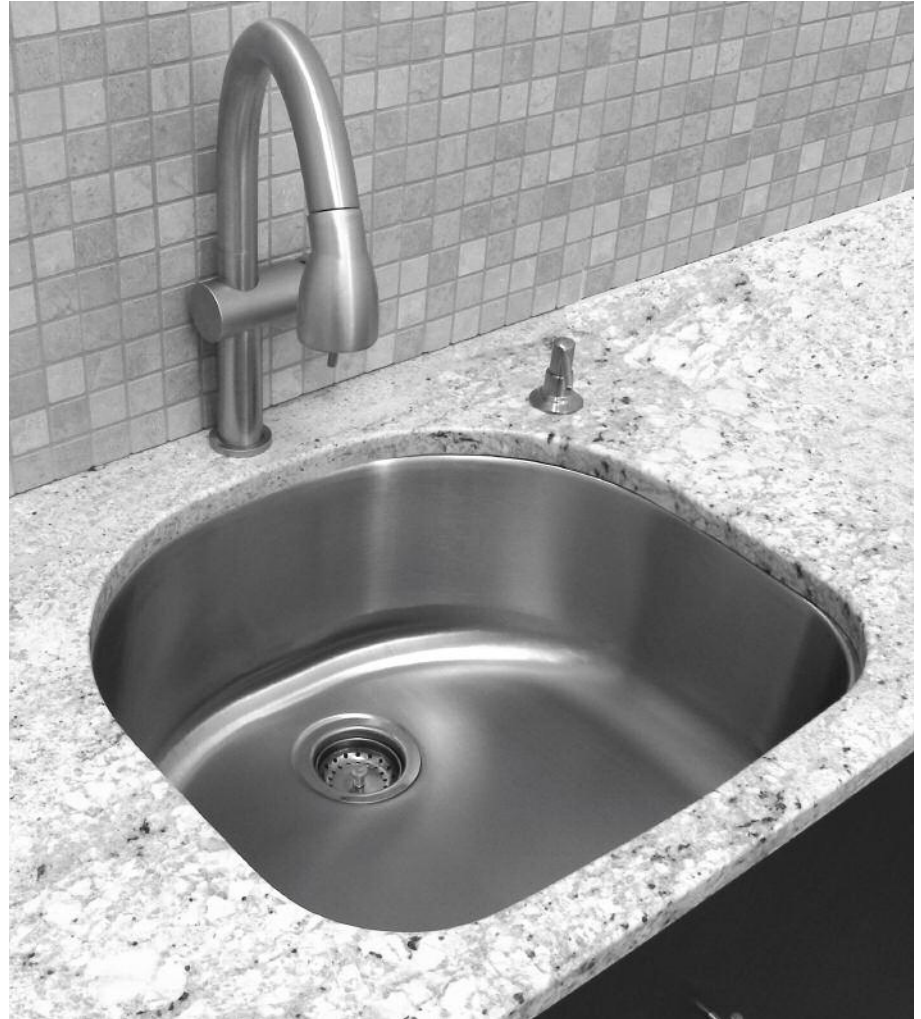
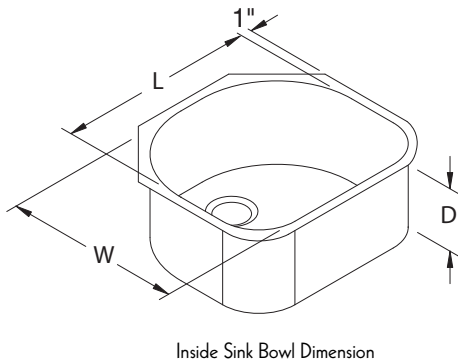


## The Curve™ Group CONTOURED SCULLERY SINKS

Features:

- 16 Gauge, Type 304 Stainless Steel
- Stainless steel 3-1/2" rear drain and basket strainer (1-1/2" I.P.S.)
- Sound deadened



Model	Sink Bowl Dim. L x W x D	Overall Size L x W	Sink Base Length	Approx. Wt.
CV-2421-RE	21-1/2"x19"x9"	23-3/4"x21-1/4"	30"	21 lbs.

(1" flange on all 4 sides. Leave 2" in rear for rear mount faucet or faucet can also be off center.)

Faucet Not Included

### ACCESSORIES

Protect Your Sinks with Matching Chrome Sink Grids



Model	Fits Bowl Size
SG-2119-RE	21-1/2"x19"

## Professional Stainless Steel Products For Your Home

Toll Free Phone: 866-799-0106 • Toll Free Fax: 866-799-0249

www.alinebyadvancetabco.com