



STAINLESS STEEL
Drop-In Bar Hand Sinks **NSF**
18" Wide Units - Deep Drawn Bowl

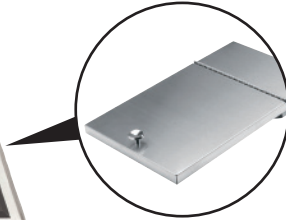
Featuring **Deep Drawn**
Seamless Sink Bowl



Item #: _____ Qty #: _____
 Model #: _____
 Project #: _____



D-12-HSL
 18" Wide Unit
 w/ Deck Mount Faucet



D-24-SIBL
 18" Wide Unit
 w/ Deck Mount Faucet
 & Ice Bin

Includes A
Stainless Steel
Hinged Cover For
Ice Bin

FEATURES:

One piece **Deep Drawn** sink bowl measuring 12" x 11 1/2" x 5 1/2".
 Deck mounted faucet.

D-24-SIBL:

11" deep insulated ice bin.
 Rubber thermal breaker to reduce condensation.
 Supplied with stainless steel hinged cover.

MECHANICAL:

1" IPS drain (ice bin)
 1 1/2" IPS, 3 1/2" basket drain (hand sink)
 4" O.C., 6" deck mount swing spout faucet
Faucet meets federal lead free standards.

MATERIAL:

Jacket: 20 gauge galvanized steel
Ice Bin: 20 gauge, 300 stainless steel
Cover: 20 gauge stainless steel (D-24-WSIBL and D-24-WSIBL2 only)
Molding: Extruded black polyethylene thermal breaker marine edge
Insulation: 2lbs. density foam-in-place insulation

OPTIONAL:

D-12: Small replacement cover for ice bin
K-316-LU: Add wrist handles

Model #	Description	Outside Dimensions	Cut-Out Size	Ice Capacity	Approx. Weight
D-12-HSL	Hand Sink	12" x 18"	15 3/8" x 9 3/4"	N/A	13 lbs.
D-24-SIBL	Hand Sink w/ Ice Bin	21 1/4" x 18"	20 3/8" x 15 1/4"	23 lbs.	30 lbs.



Customer Service Available To Assist You 1-800-645-3166 8:30 am - 8:00 pm E.S.T.

For Orders & Customer Service:
 Email: customer@advancetabco.com or Fax: 631-242-6900

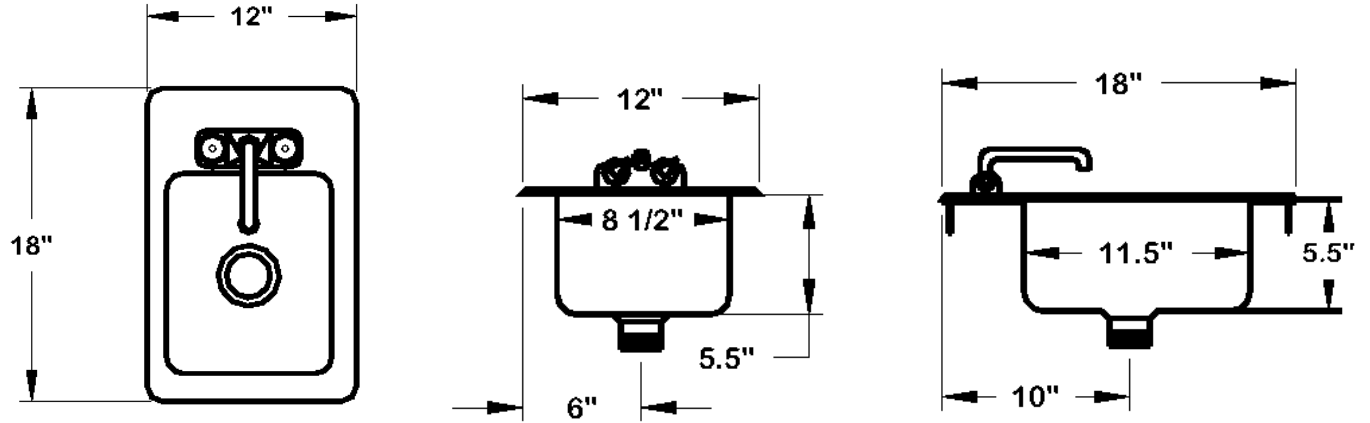
For Smart Fabrication™ Quotes:
 Email: smartfab@advancetabco.com or Fax: 631-586-2933

DIMENSIONS and SPECIFICATIONS

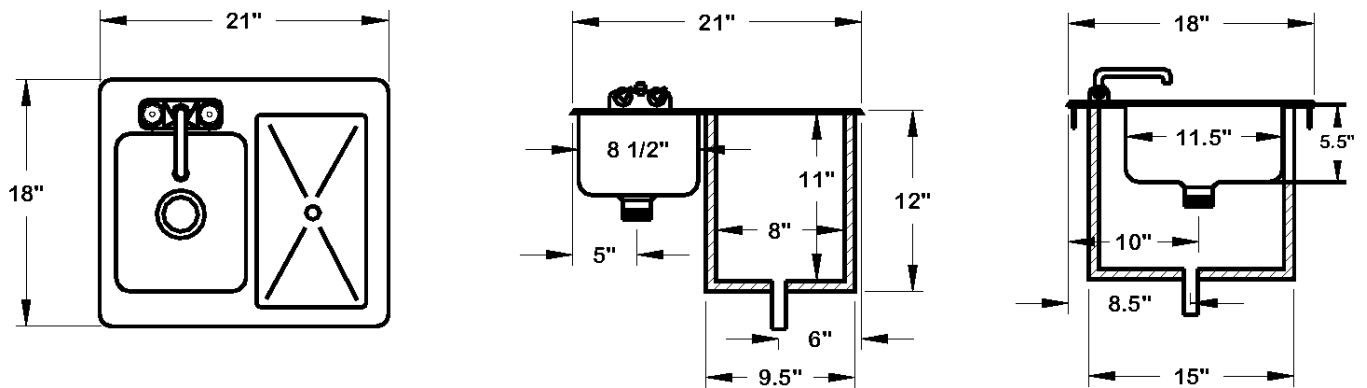
TOL Overall: $\pm .500''$ Interior: $\pm .250''$

ALL DIMENSIONS ARE TYPICAL

D-12-HSL



D-24-SIBL



ADVANCE TABCO is constantly engaged in a program of improving our products. Therefore, we reserve the right to change specifications without prior notice.