



STAINLESS STEEL
DROP-IN SINKS

Three Compartments - FOR GENERAL PURPOSE USE

Sinks Includes Faucet & Drain

Item #: _____ *Qty #:* _____
Model #: _____
Project #: _____

FEATURES:

One piece seamless **Deep Drawn** sink bowl design.
 All sink bowls have a large liberal radii with a minimum dimension of 2" and are rectangular in design for increased capacity.
 Self-Rim Design. Mounting clips provided accomodate all thicknesses of counter. (Quantity supplied varies based on drop in sink ordered).
 Includes 4" O.C. **K-50** faucet (DI-3-1612 includes **K-53** faucet) & basket drain.

CONSTRUCTION:

Bowls fabricated from one sheet of stainless steel.
 All bowls are Sound Deadened.
 Units feature Advance Tabco's **Smart Finish™**.

MECHANICAL:

Faucet supply is 1/2" IPS male thread.
 Deck mounted faucets are furnished with aerator.

MATERIAL:

18 gauge type 304 series stainless steel.
 Faucets are brass-nickel plated.
 Stainless Steel 1-1/2" IPS basket drain.

NSF NOTE: Multi-Compartment Drop-In Sinks ARE NSF Approved when used in Mobile Food Carts and Kiosks only.



DI-3-10



DI-3-1612



DI-3-1410



STANDARD MOUNTING CLIPS
 For countertops over 7/8" and up to 2" thick.
 Replacement # **K-28** (Per Sink)

Available Faucets & Accessories	Model #	Qty
Deck Mounted 8" Swing Spout. 4" O.C.	K-50	
Deck Mounted 12" Swing Spout. 4" O.C.	K-53	
Deck Mounted 8 1/2" Large Gooseneck. 4" O.C.	K-55	
Deck Mounted Swing w/Spray. 8" O.C.*	K-58	
Mounting Clips (Bag of 4).	K-28	

*REQUIRES **K-472** FAUCET HOLE REVISION

**Standard Faucet conforms to NSF 61 Standard 9.
 Faucets Are AB1953 Lead Free Compliant.**

For Replacement Faucets & Upgrades, Drains & Accessories visit our website at www.advancetabco.com



Customer Service Available To Assist You 1-800-645-3166 8:30 am - 8:00 pm E.S.T.
 Email Orders To: customer@advancetabco.com. For Smart Fabrication™ Quotes, Email To: smartfab@advancetabco.com or Fax To: 631-586-2933

NEW YORK
 Fax: (631) 242-6900

GEORGIA
 Fax: (770) 775-5625

TEXAS
 Fax: (972) 932-4795

NEVADA
 Fax: (775) 972-1578

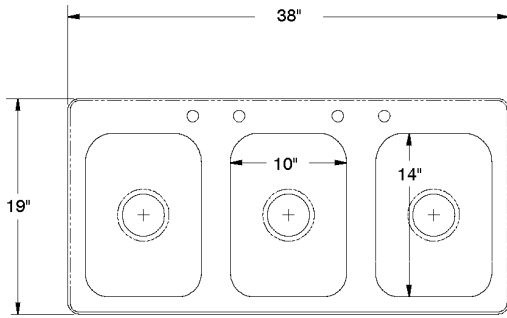
DIMENSIONS and SPECIFICATIONS

TOL ± .125"

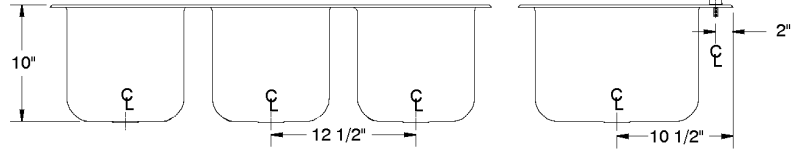
Supplied with Two K-50 Faucets & K-6 Basket Drain

ALL DIMENSIONS ARE TYPICAL

DI-3-10

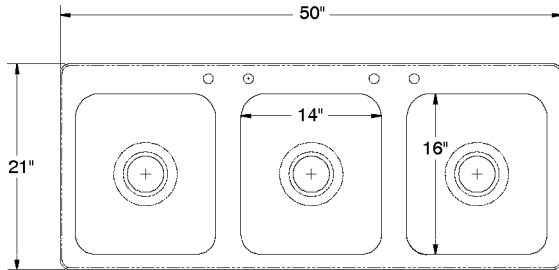


Cut-Out Size
 37 1/4" x 18 1/4"
 1 1/4" radius corners

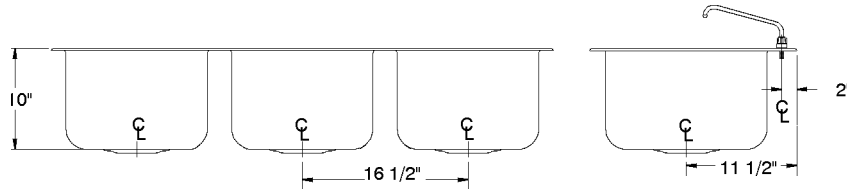


Approx. Wt. 40 lbs.

DI-3-1410

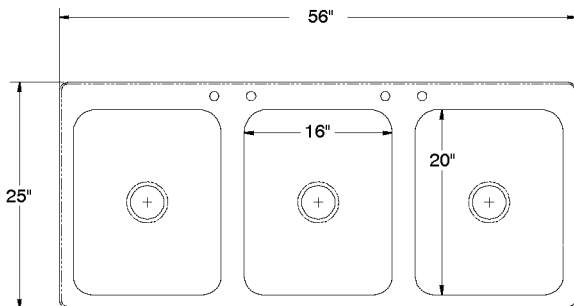


Cut-Out Size
 49 1/4" x 20 1/4"
 1 1/4" radius corners

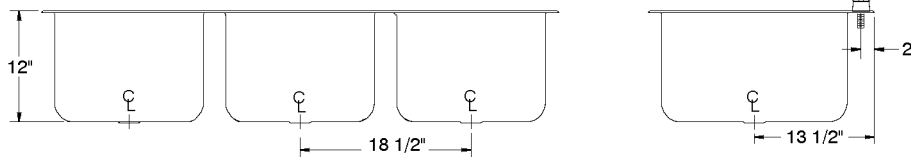


Approx. Wt. 50 lbs.

DI-3-1612

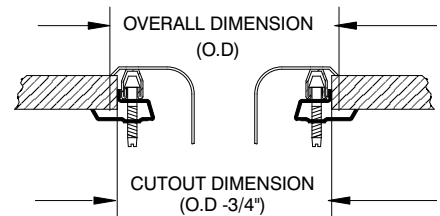


Cut-Out Size
 55 1/4" x 24 1/4"
 1 1/4" radius corners



Approx. Wt. 60 lbs.

TYPICAL INSTALLATION



Cut-Out Size = L to R x F to B

Standard Mounting Clips Fit
 Countertops Over 7/8"
 & Up To 2" Thick.

