



STAINLESS STEEL SELF SERVICE FOOD SHIELD WITH STAINLESS STEEL SHELVES



Maximum Glass Opening is 13" From Table to Bottom of Glass

Item #: _____ **Qty #:** _____

Model #: _____

Project #: _____



Adjust Food Shield with Ease!
No Tools Required!

FEATURES:

Adjustable Food Shield With Brackets. No Tools Required.

1/4" Thick Heat-Tempered Glass.

Includes:

1 TIER: Two 18" Wide x 15-3/8" High Side Glass Panels.

2 TIER: Four 18" Wide x 15-3/8" High Side Glass Panels.

Stainless Steel Shelving Available In 12" or 15" Widths.

Shelves have two rolled edges on front & rear and square edges on left & right sides.

1-5/8" Stainless Steel Posts.

CONSTRUCTION:

All TIG welded.

Exposed stainless steel surfaces polished to a satin finish.

MATERIAL:

Food Shield - 1/4" Thick Heat-Tempered Glass.

Shelf - 18 Ga., Type 430 Stainless Steel.

Posts - 1-5/8" Diameter, Stainless Steel.



Includes Glass Side Panels
Standard 18" Wide x 15-3/8" High Panel
(Panel must be a minimum width of 18" to meet NSF requirements)

**Standard Shelf Height is 18" From
Top of Table to Top of Shelf**
CUSTOM HEIGHT SIZES AVAILABLE!

L	ONE TIER UNIT						DOUBLE TIER UNIT						Approx. Cubes
	12" Wide (W) (305mm)		15" Wide (W) (381mm)		18" Wide (W) (457mm)		12" Wide (W) (305mm)		15" Wide (W) (381mm)		18" Wide (W) (457mm)		
	Approx. Wt.	Approx. Wt.	Approx. Wt.	Approx. Wt.	Approx. Wt.	Approx. Wt.	Approx. Wt.	Approx. Wt.	Approx. Wt.	Approx. Wt.	Approx. Wt.	Approx. Wt.	
36"	SG-12-36	22 lbs.	SG-15-36	37 lbs.	SG-18-36	43 lbs.	DSG-12-36	44 lbs.	DSG-15-36	74 lbs.	DSG-18-36	86 lbs.	3
48"	SG-12-48	26 lbs.	SG-15-48	41 lbs.	SG-18-48	48 lbs.	DSG-12-48	52 lbs.	DSG-15-48	82 lbs.	DSG-18-48	96 lbs.	4
60"	SG-12-60	30 lbs.	SG-15-60	45 lbs.	SG-18-60	51 lbs.	DSG-12-60	60 lbs.	DSG-15-60	90 lbs.	DSG-18-60	102 lbs.	6
72"	SG-12-72	35 lbs.	SG-15-72	50 lbs.	SG-18-72	57 lbs.	DSG-12-72	70 lbs.	DSG-15-72	100 lbs.	DSG-18-72	114 lbs.	7
84"	SG-12-84	39 lbs.	SG-15-84	55 lbs.	SG-18-84	63 lbs.	DSG-12-84	78 lbs.	DSG-15-84	110 lbs.	DSG-18-84	126 lbs.	8
96"	SG-12-96	45 lbs.	SG-15-96	60 lbs.	SG-18-96	68 lbs.	DSG-12-96	90 lbs.	DSG-15-96	120 lbs.	DSG-18-96	136 lbs.	9
108"	SG-12-108	50 lbs.	SG-15-108	65 lbs.	SG-18-108	73 lbs.	DSG-12-108	100 lbs.	DSG-15-108	130 lbs.	DSG-18-108	146 lbs.	10
120"	SG-12-120	55 lbs.	SG-15-120	70 lbs.	SG-18-120	80 lbs.	DSG-12-120	110 lbs.	DSG-15-120	140 lbs.	DSG-18-120	160 lbs.	11
132"	SG-12-132	60 lbs.	SG-15-132	75 lbs.	SG-18-132	87 lbs.	DSG-12-132	120 lbs.	DSG-15-132	150 lbs.	DSG-18-132	174 lbs.	12
144"	SG-12-144	65 lbs.	SG-15-144	80 lbs.	SG-18-144	93 lbs.	DSG-12-144	130 lbs.	DSG-15-144	160 lbs.	DSG-18-144	186 lbs.	13

NOTE: Food Shield Glass Cannot Exceed 48" Length Per Shield.
Shelves 8' or Longer Includes Center Leg Support.

24" Wide Shelving Available
Contact Customer Service For More Info



Customer Service Available To Assist You 1-800-645-3166 8:30 am - 8:00 pm E.S.T.

Email Orders To: customer@advancetabco.com. For Smart Fabrication™ Quotes, Email To: smartfab@advancetabco.com or Fax To: 631-586-2933

NEW YORK
Fax: (631) 242-6900

GEORGIA
Fax: (770) 775-5625

TEXAS
Fax: (972) 932-4795

NEVADA
Fax: (775) 972-1578

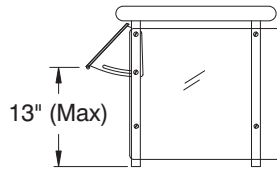
DETAILS and SPECIFICATIONS

TOL ± .500"

ALL DIMENSIONS ARE TYPICAL

SELF SERVICE FOOD SHIELD WITH STAINLESS STEEL SHELF

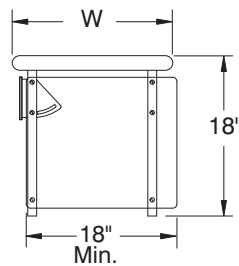
SINGLE TIER



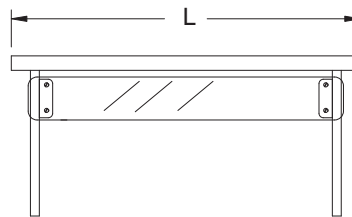
13" (Max)

SIDE VIEW
(Glass Open)

Maximum Glass Opening is 13"
From Table to Bottom of Glass

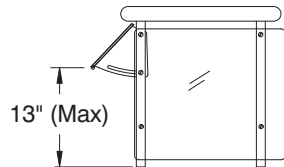


SIDE VIEW
(Glass Closed)



Front View

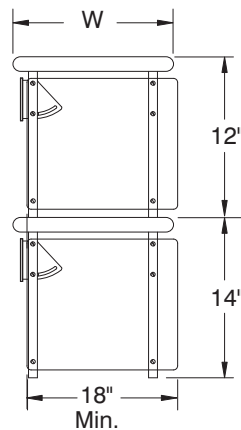
DOUBLE TIER



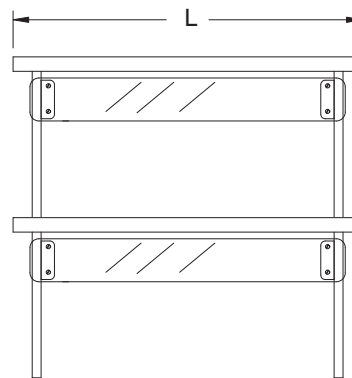
13" (Max)

SIDE VIEW
(Glass Open)

Maximum Glass Opening is 13"
From Shelf to Bottom of Glass



SIDE VIEW



Front View

