



COMPACT - EFFICIENT - ECONOMICAL

STAINLESS STEEL DISHTABLE UNDERCOUNTER



DTU-U60-48R Shown.
(Dishwasher by others)

Item #: _____ **Qty #:** _____
Model #: _____
Project #: _____

FEATURES:

- Tile edge for ease of installation.
- Features a 5" deep bowl.
- Table is furnished with 10-1/2" splash with a 2" return.
- Stainless Steel Legs Stainless Steel Legs with Welded Cross Bracing with Stainless Steel Bullet Feet.

CONSTRUCTION:

- All TIG welded.
- Welded areas blended to match adjacent surfaces and to a satin finish.
- Gussets welded to a stainless steel support channel.

MECHANICAL:

- Faucet holes in SPLASH punched on 8" centers (Faucet not included).
- Waste Drain included.

MATERIAL:

- LEGS are 16 ga. 304 Stainless Steel.
- TOP with bowl, drainboard, splash and rolled rims are fabricated using 16 gauge stainless steel type "304" series.

Model #	Length	Wt.
DTU-U60-48L	48"	80 lbs.
DTU-U60-48R	48"	80 lbs.
DTU-U60-72L	72"	115 lbs.
DTU-U60-72R	72"	115 lbs.

Left or Right designation is determined by sink location.

Optional Basket with Welded Slide Bar



DTA-100

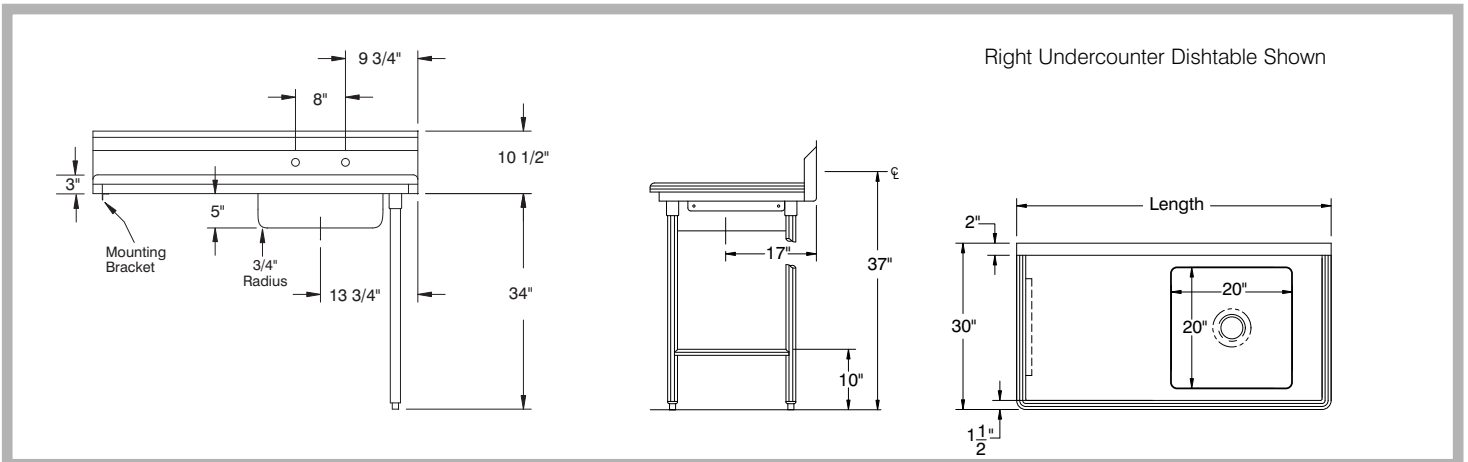
20" x 20"

ACCESSORIES	Model #
Faucet	
Prerinse Basket	

DIMENSIONS and SPECIFICATIONS

TOL ± .500"

ALL DIMENSIONS ARE TYPICAL



NEW YORK
(800) 645-3166
Fax: (631) 242-6900

GEORGIA
(800) 832-1218
Fax: (770) 775-5625

TEXAS
(800) 527-0353
Fax: (972) 932-4795

NEVADA
(800) 446-8684
Fax: (775) 972-1578

For Assistance with Smart Modifications & Accessories Call: 1-800-498-6634 Fax: 631-586-2933
smartfab@advancetabco.com