

WIRE SHELVING ACCESSORIES

Item #: _____ **Qty #:** _____

Model #: _____

Project #: _____

| | |
|---|--|
|  EC-5 |  EC-11 |
|  EC-10 |  EC-15 |
|  EC-16 |  EC-20 |
|  EC-25 |  EC-26 |
|  EC-30 (for Add-Shelving see pages S-1 & S-2) |  EC-40 |
|  UCH-18, UCH-24 |  Shelf Ledges SL Series  Shelf Dividers SD Series |

- Model # Description**
- EC-5 Post Clamp
 - EC-10 Replacement Leveling Foot
 - EC-11 Foot Plate
 - EC-15 Collar Filler Caps
 - EC-16 Post Cap
 - EC-20 Tapered Split Sleeves (4 per pack)
 - EC-25 5" Rubber Swivel Stem Casters (set of 4)
 - EC-26 5" Poly Swivel Stem Casters (set of 4)
 - EC-30 Chrome S Hooks for Add-Shelving (2 pk.)
 - EC-40 Label Holder (3" x 1")
 - UCH-18 18" Utility Cart Handle
 - UCH-24 24" Utility Cart Handle
- SHELF LEDGES - 4" HEIGHT**
- SL-14 14" Width
 - SL-18 18" Width
 - SL-24 24" Width
 - SL-36 36" Width
 - SL-42 42" Width
 - SL-48 48" Width
 - SL-60 60" Width
- SHELF DIVIDERS - 8" HEIGHT**
- SD-14 14" Width
 - SD-18 18" Width
 - SD-24 24" Width

| MODEL # | Qty |
|---------|-----|
| EC-5 | |
| EC-10 | |
| EC-11 | |
| EC-15 | |
| EC-16 | |
| EC-20 | |
| EC-25 | |
| EC-26 | |
| EC-30 | |
| EC-40 | |
| UCH-18 | |
| UCH-24 | |
| SL-14 | |
| SL-18 | |
| SL-24 | |
| SL-36 | |
| SL-42 | |
| SL-48 | |
| SL-60 | |
| SD-14 | |
| SD-18 | |
| SD-24 | |



CHROME GREEN EPOXY

3-SIDED FRAME

| MODEL # | MODEL # | Size | Qty |
|---------|---------|-----------|-----|
| SF-1824 | | 18" x 24" | |
| SF-1830 | | 18" x 30" | |
| SF-1836 | GF-1836 | 18" x 36" | |
| SF-1848 | GF-1848 | 18" x 48" | |
| SF-1860 | GF-1860 | 18" x 60" | |
| SF-2424 | | 24" x 24" | |
| SF-2430 | | 24" x 30" | |
| SF-2436 | GF-2436 | 24" x 36" | |
| SF-2448 | GF-2448 | 24" x 48" | |
| SF-2460 | GF-2460 | 24" x 60" | |

DETAILS and SPECIFICATIONS

TOL ± .500"

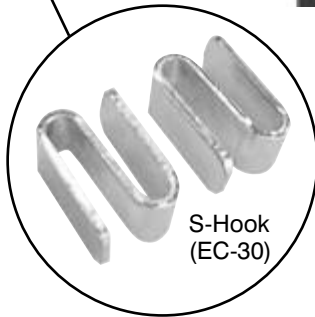
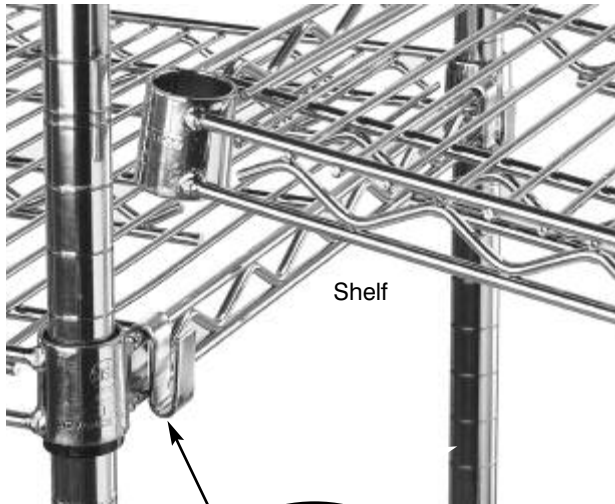
ALL DIMENSIONS ARE TYPICAL

ADD-SHELVING COMBO



Available in Chrome - ECAD SERIES

includes 4 chrome shelves, 2 - 74" posts and 8 S-hooks



| MODEL | Shelf Size | Approx. Wt. |
|-----------|------------|-------------|
| ECAD-1436 | 14" x 36" | 55 lbs. |
| ECAD-1442 | 14" x 42" | 60 lbs. |
| ECAD-1448 | 14" x 48" | 66 lbs. |
| ECAD-1460 | 14" x 60" | 84 lbs. |
| ECAD-1472 | 14" x 72" | 98 lbs. |
| ECAD-1836 | 18" x 36" | 59 lbs. |
| ECAD-1842 | 18" x 42" | 64 lbs. |
| ECAD-1848 | 18" x 48" | 72 lbs. |
| ECAD-1860 | 18" x 60" | 90 lbs. |
| ECAD-1872 | 18" x 72" | 106 lbs. |
| ECAD-2436 | 24" x 36" | 66 lbs. |
| ECAD-2442 | 24" x 42" | 72 lbs. |
| ECAD-2448 | 24" x 48" | 80 lbs. |
| ECAD-2460 | 24" x 60" | 102 lbs. |
| ECAD-2472 | 24" x 72" | 118 lbs. |

