



TABLE MOUNTED

# KD STAINLESS STEEL OVERSHELVES

## with Stainless Steel Posts

Item #: _____	Qty #: _____
Model #: _____	
Project #: _____	



**ETS SERIES**  
14" Stainless Steel Posts

**FEATURES:**

Stainless steel shelving and posts.

**ETS Series** Overall Height = 14"

**EDS Series** Overall Height = 32". Adjustable Mid-Shelf.

Shelves are made with rolled edges (front & rear) with square ends.

Angle brackets provided with stainless steel gusset to receive post.

**CONSTRUCTION:**

All TIG welded.

Exposed surfaces are polished to a satin finish.

**MATERIAL:**

All Shelves are 18 gauge type "430" stainless steel.

Stainless steel posts.

Stainless steel bracket and gusset.



**EDS SERIES**  
32" Stainless Steel Posts



**INCLUDES**  
**ANGLE BRACKETS**

		SINGLE DECK			DOUBLE DECK					
		12" WIDE		18" WIDE		12" WIDE		18" WIDE		
L	C	Model #	Approx. Wt.	Approx. Cu. Ft.	Model #	Approx. Wt.	Approx. Cu. Ft.	Model #	Approx. Wt.	Approx. Cu. Ft.
48"	48-1/4"	ETS-12-48-X	19 lbs.	2	ETS-18-48-X	24 lbs.	3	EDS-12-48-X	30 lbs.	2
60"	60-1/4"	ETS-12-60-X	22 lbs.	3	ETS-18-60-X	28 lbs.	4	EDS-12-60-X	35 lbs.	3
72"	72-1/4"	ETS-12-72-X	25 lbs.	3	ETS-18-72-X	36 lbs.	5	EDS-12-72-X	41 lbs.	3
96"	96-1/4"	ETS-12-96-X	33 lbs.	5	--	--	--	EDS-12-96-X	54 lbs.	5

8 ft. units are furnished with three (3) sets of tubing supports.



Customer Service Available To Assist You 1-800-645-3166 8:30 am - 8:00 pm E.S.T.

For Orders & Customer Service:

Email: customer@advancetabco.com or Fax: 631-242-6900

For Smart Fabrication™ Quotes:

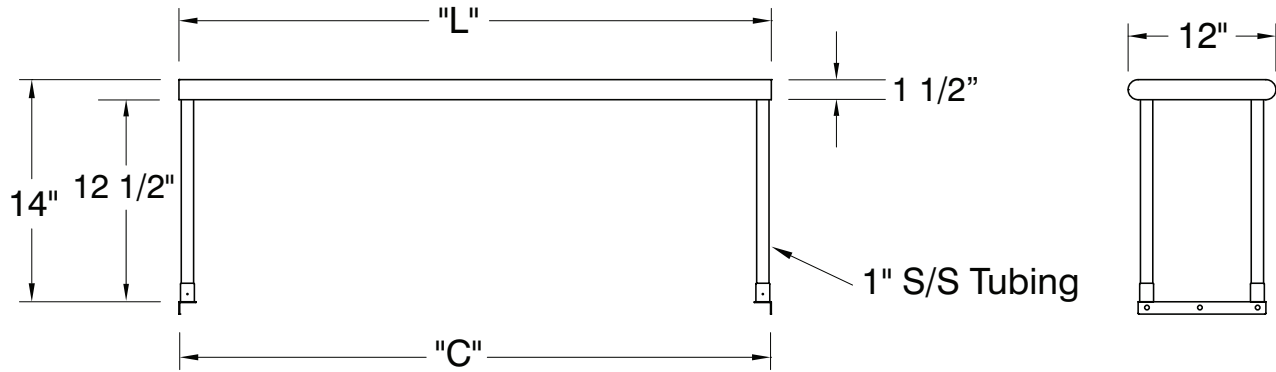
Email: smartfab@advancetabco.com or Fax: 631-586-2933

# DETAILS and SPECIFICATIONS

TOL  $\pm$  .500"

ALL DIMENSIONS ARE TYPICAL

## ETS SERIES - SINGLE DECK



## EDS SERIES - DOUBLE DECK

