



STAINLESS STEEL

SPECLINE 14 Ga. Fabricated Sinks

Triple Compartments

Item #: _____ Qty #: _____
 Model #: _____
 Project #: _____



FEATURES:

- Continuous Apron Design
- Backsplash has tile edge for ease of installation.
- Sink bowls are 3/4" covered corner and meet NSF requirements.
- Rolled Rim Edge for additional strength.
- Sink Bowls are 14" deep for greater capacity.
- Stainless Steel Legs and Cross Bracing.

CONSTRUCTION:

- All TIG welded.
- Welded areas blended to match adjacent surfaces and to a satin finish.

MATERIAL:

- 1 5/8" diameter stainless steel legs with 1" adjustable stainless steel bullet feet.
- Entire unit is 14 gauge 304 stainless steel.
- Stainless Steel Gussets.

MECHANICAL:

- Supply is 1/2" IPS hot & cold.
- Faucet holes on 8" centers.
- Faucets are not included (**see accessories**).
- Waste drains are 1 1/2" IPS S/S basket type, located in center of sink bowl, and are included.

MODEL #	BOWL SIZE	O.A. Length	# of Drbds.
FS-3-1818	18" x 18"	59"	0
FS-3-1818-18RorL	18" x 18"	74.5"	1
FS-3-1818-18RL	18" x 18"	90"	2
FS-3-1824	18" x 24"	59"	0
FS-3-1824-18RorL	18" x 24"	74.5"	1
FS-3-1824-24RorL	18" x 24"	80.5"	1
FS-3-1824-18RL	18" x 24"	90"	2
FS-3-1824-24RL	18" x 24"	102"	2
† FS-3-2424	24" x 24"	77"	0
† FS-3-2424-18RorL	24" x 24"	92.5"	1
† FS-3-2424-24RorL	24" x 24"	98.5"	1
† FS-3-2424-18RL	24" x 24"	108"	2
† FS-3-2424-24RL	24" x 24"	120"	2

† Requires Two Faucets

ACCESSORIES	Model #	Qty
DRAINS		
FAUCETS		



Customer Service Available To Assist You 1-800-645-3166 8:30 am - 8:00 pm E.S.T.

Email Orders To: customer@advancetabco.com. For Smart Fabrication™ Quotes, Email To: smartfab@advancetabco.com or Fax To: 631-586-2933

NEW YORK
Fax: (631) 242-6900

GEORGIA
Fax: (770) 775-5625

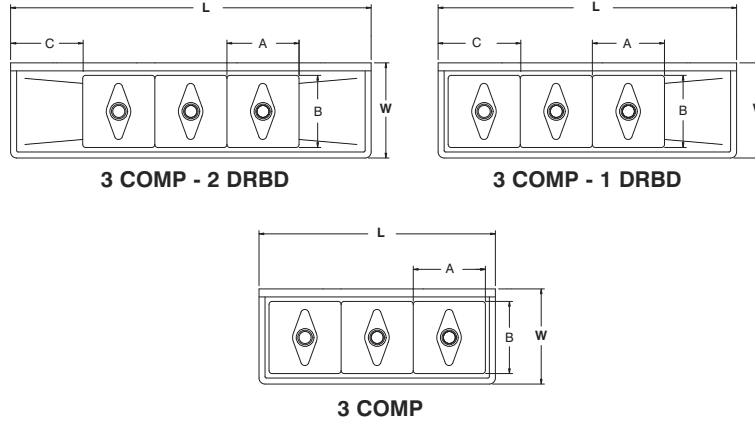
TEXAS
Fax: (972) 932-4795

NEVADA
Fax: (775) 972-1578

DIMENSIONS and SPECIFICATIONS

TOL Overall: ± .500"
Interior: ± .250"

ALL DIMENSIONS ARE TYPICAL



MODEL #	Length L	Width W	Bowl Size A & B	Drbd. Length C	# of Drbds.	Drbd. Location	Wt	Cu.
FS-3-1818	59"	24"	18" x 18"	N/A	0	None	130 lbs	25
FS-3-1818-18RorL	74.5"	24"	18" x 18"	18"	1	Specify	150 lbs	31
FS-3-1818-18RL	90"	24"	18" x 18"	18"	2	Both	170 lbs	52
FS-3-1824	59"	30"	18" x 24"	N/A	0	None	158 lbs	36
FS-3-1824-18RorL	74.5"	30"	18" x 24"	18"	1	Specify	174 lbs	46
FS-3-1824-24RorL	80.5"	30"	18" x 24"	24"	1	Specify	187 lbs	49
FS-3-1824-18RL	90"	30"	18" x 24"	18"	2	Both	310 lbs	54
FS-3-1824-24RL	102"	30"	18" x 24"	24"	2	Both	375 lbs	61
† FS-3-2424	77"	30"	24" x 24"	N/A	0	None	329 lbs	47
† FS-3-2424-18RorL	92.5"	30"	24" x 24"	18"	1	Specify	353 lbs	56
† FS-3-2424-24RorL	98.5"	30"	24" x 24"	24"	1	Specify	369 lbs	59
† FS-3-2424-18RL	108"	30"	24" x 24"	18"	2	Both	382 lbs	64
† FS-3-2424-24RL	120"	30"	24" x 24"	24"	2	Both	405 lbs	71

† Requires Two Faucets

